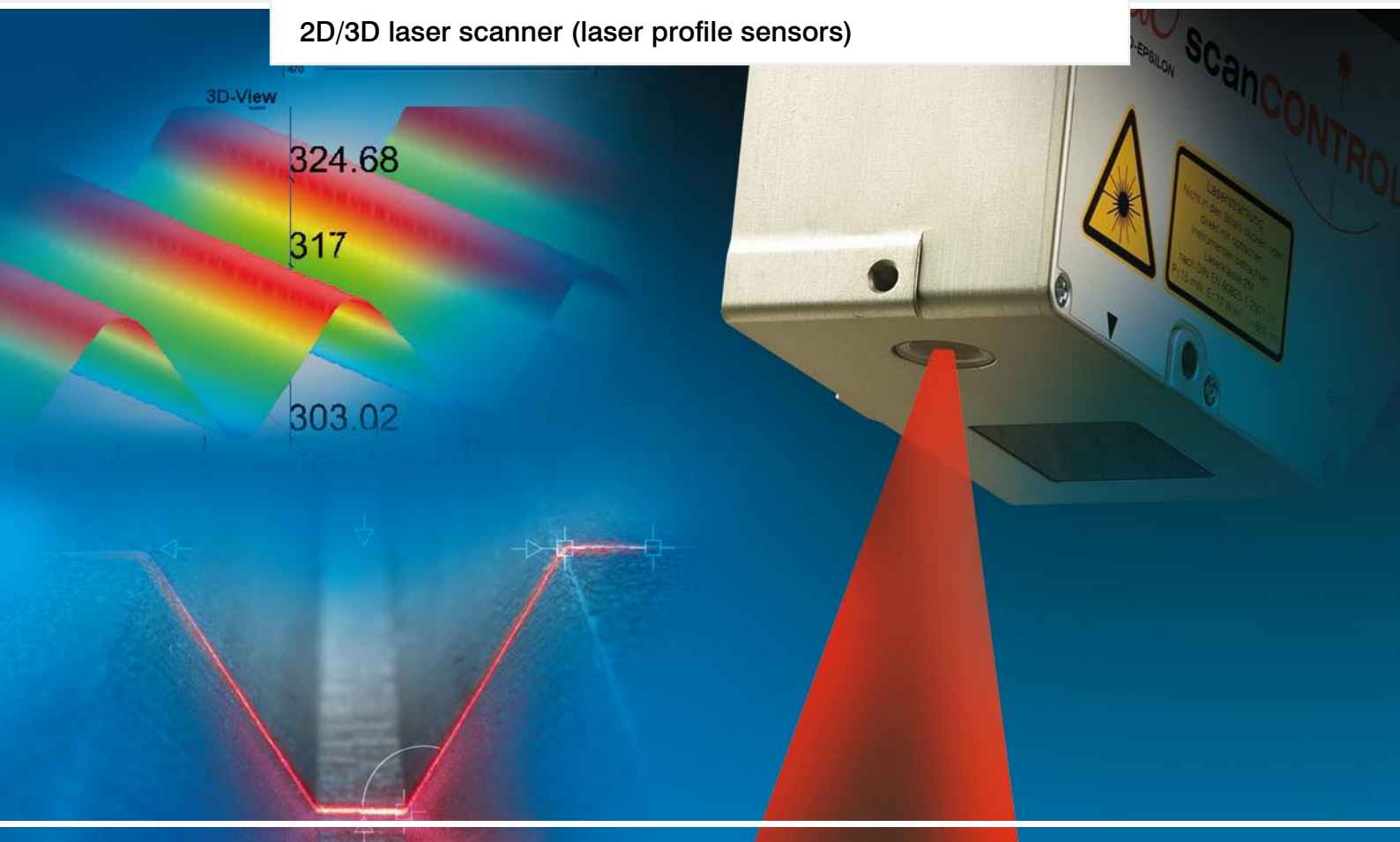


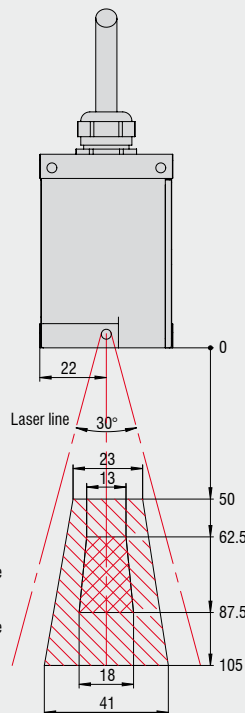
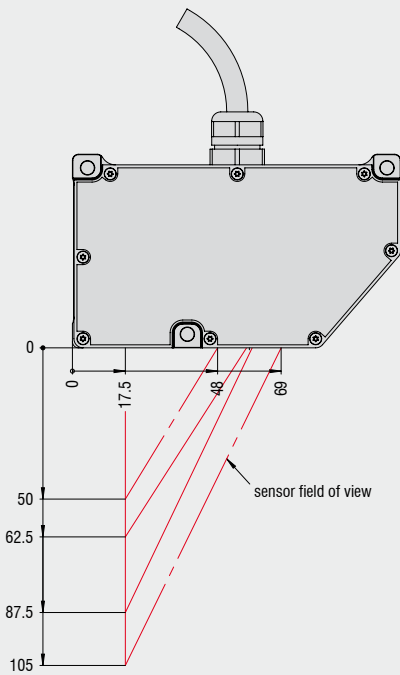
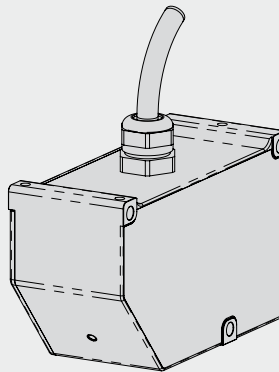
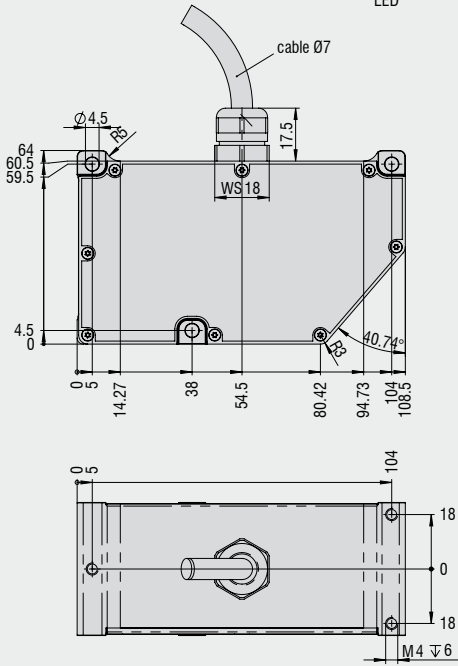
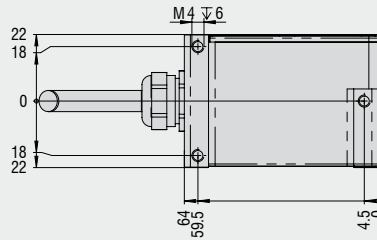
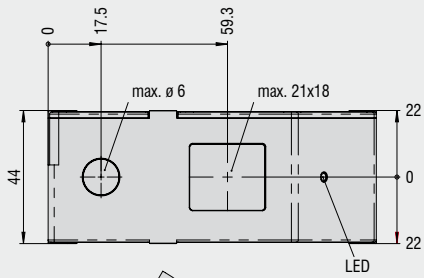


More Precision.

scanCONTROL

2D/3D laser scanner (laser profile sensors)





- Standard measuring range
- Extended measuring range

Model		scanCONTROL	HIGHSPEED 2800-25	SMART 2810-25	
z-axis (height)	Standard measuring range 25mm	Start of measuring range	62.5mm		
		Midrange	75mm		
		End of measuring range	87.5mm		
	Extended measuring range 55mm	Start of measuring range	50mm		
		Midrange	82.5mm		
		End of measuring range	105mm		
	Linearity ¹⁾	± 0.2% FSO (3sigma)	± 50µm		
Resolution	0.04% FSO	10µm			
Reference resolution ^{2) 3)}		4µm			
x-axis (width)	Standard measuring range	Start of measuring range	13mm		
		End of measuring range	18mm		
	Extended measuring range	Start of measuring range	23mm		
		End of measuring range	41mm		
	Point distance	Midrange	30µm		
	Resolution x-axis		1,024 points/profile		
	Profile frequency		4,000Hz		
	Measurement rate		256,000 points/sec		
	Interfaces profile data	FireWire	■		■
		RS232	■		■
RS422		■		■	
Trigger HTL/TTL		■		■	
Counter (encoder)		■		■	
Signal output SMART	RS232			■	
	RS422			■	
	Analogue			■	
	Switching signal			■	
Display (LED)		1x laser, 1x power/error/control, 2x mode			
Protection class	Sensor	IP 64			
	Controller	IP 40			
Operating temperature		0°C up to 50°C			
Storage temperature		-20°C up to 70°C			
Cable length		up to 10m			
Weight	Sensor	appr. 350g			
	Controller	appr. 3.5kg			
Galvanic isolation		All interfaces are galvanically isolated			
Vibration		2g / 20 ... 500Hz			
Shock		15g / 6ms			
Supply		20-27 VDC, 500mA			
Light source		semiconductor laser 655nm			
Aperture angle laser line		30°			
Laser power	standard	15mW (class 2M)			
	optional	50mW (class 3B)			
Laser off		via software and external contact			
Permissible ambient light (fluorescent light) ²⁾		10,000lx			

¹⁾ Standard measuring range

²⁾ Measuring object: Micro-Epsilon standard object (metallic, diffusely reflecting material)

³⁾ According to a one-time averaging across the measuring field (1024 points)

FSO = Full scale output

High performance sensors made by Micro-Epsilon



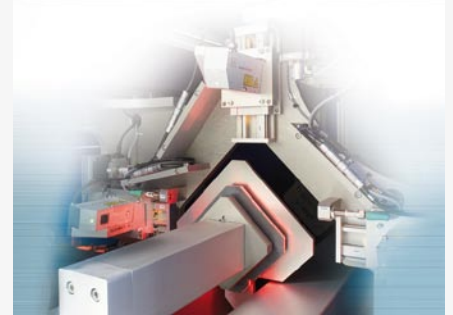
Sensors and systems for displacement, position and dimension

- Eddy current sensors
- Optical and laser sensors
- Capacitive sensors
- Inductive sensors
- Draw-wire sensors
- Optical micrometers
- 2D/3D profile sensors
- Image processing



Sensors and measurement devices for non-contact temperature sensors

- Thermal imager
- Online instruments
- Handheld devices



Measuring systems for quality control

- Plastic and film
- Tyre and rubber
- Web material
- Automotive components
- Glass and panes