

# More Precision



## optoNCDT ILR 1030-8 / 1031-50 Laser distance sensors

The new displacement sensors ILR1030-8 and ILR1031-50 function according to the time-of-flight technology. Thanks to this time-of-flight technology the sensors permanently offer – independent of environmental conditions such as surface characteristics, dark colour or present external light – accurate, reliable and clear as well as reproducible measurement results.

### Advantages:

- Measuring range up to 8m on diffuse reflecting targets
- Very short response time
- Small size
- Excellent price-performance ratio



Model	ILR1030-8	ILR1031-50	
Measuring range <sup>1</sup>	black 10%	0.2 ... 2.5m	-
	grey 18%	0.2 ... 3.5m	-
	white 90%	0.2 ... 8m	-
	reflector	-	0.2 ... 50m
Linearity <sup>2</sup>	±20mm		
Resolution	1mm		
Repeat accuracy	<5mm		
Response time	10ms		
Laser class	measuring laser	red 660nm, laser class 2	
Spot diameter	<10mm at a distance of 8m (20°C)		
Permissible ambient light	50,000lx		
Operation temperature	-30° ... +50°C		
Storage temperature	-30° ... +70°C		
Limit outputs	Q1 / Q2 push-pull outputs		
Switching voltage	max. 30VDC		
Switching current	max. 100mA		
Analog output	4 ... 20mA, short-circuit/overload protected		
Temperature stability	≤0.25mm / °C		
Supply	10 - 30VDC, class 2		
Connection	connector M12 x 1.4-pin		
Protection class	IP 65		
Material	(housing)	Plastic ABS	
	(optical face)	Plastic pane	
Weight	90g		

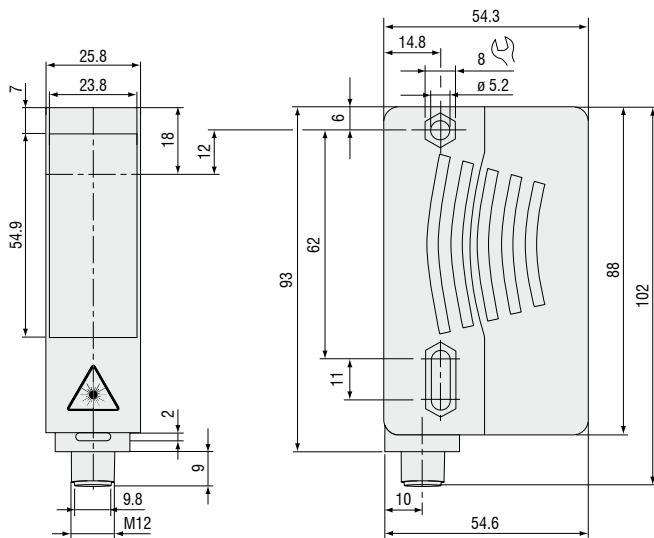
<sup>1</sup> depending on target reflectivity, stray light effects and atmospheric conditions

<sup>2</sup> with statistical spread of 95%

# optoNCDT ILR 1030-8 / 1031-50 Dimensions and Accessories

## Dimensions optoNCDT ILR 1030-8 / 1031-50

Dimensions in mm, not to scale



### Applications:

Monitoring and positioning of crane systems, Filling level measurement, Overhead conveyors, Coil diameters, Distance measurement, Position determination, Security applications, Position monitoring of moving objects, Monitoring and height measurement of lifting systems, Positioning of lifts, Parts detection

### Supply and output cable

PC1000-2	length 2m
PC1000/90-2	length 2m, 90°-connector
PC1000-5	length 5m
PC1000/90-5	length 5m, 90°-connector
PC1000/90-10	length 10m, 90°-connector

## Micro-Epsilon

info@micro-epsilon.com  
www.micro-epsilon.com

info@micro-epsilon.co.uk  
www.micro-epsilon.co.uk

info@micro-epsilon.us  
www.micro-epsilon.us

certified DIN EN ISO 9001 : 2000  
modifications reserved / Y9761357-A021021DGO

