

TA184 Series

Dual Output Temperature/Acceleration, Side Exit Connector/Cable, 100 mV/g, 10 mV/°C

SECTION 1 - VIBRATION SENSORS
Dual Output Accelerometers



Actual Product Size Shown



Requires **Multi-Conductor Cable**

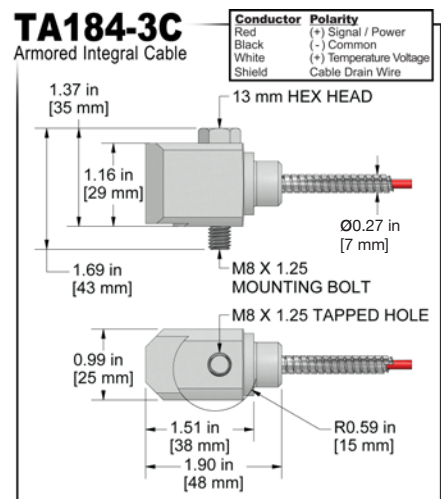
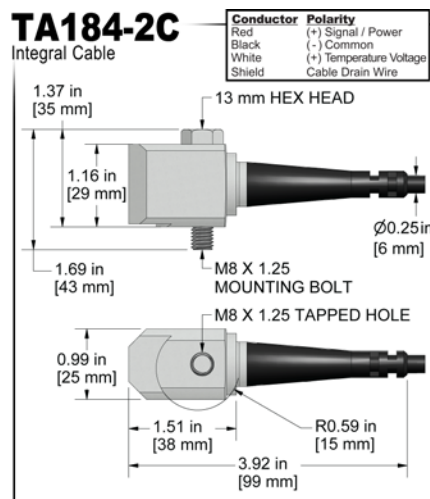
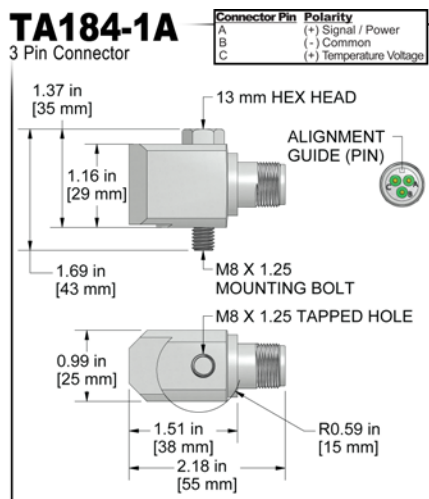
Product Features

Temperature/Vibration Sensors

10 mV/°C

- Standard 3 Pin MIL Connection
- High Performance in a Low Cost Sensor
- Requires Multi-Conductor Cable and Dual IEPE Power

M8 Captive Bolt



Specifications	Standard	Metric
Part Number	TA184	M/TA184
Sensitivity (±10%)		100 mV/g
Frequency Response (±3dB)	30-900,000 CPM	0.5-15000 Hz
Frequency Response (±10%)	120-600,000 CPM	2.0-10000 Hz
Dynamic Range		± 50 g, peak
Temperature Measurement Range	37° to 250° F	3° to 121° C
Temperature Output		10 mV/°C
Electrical		
Settling Time		<2.5 seconds
Voltage Source		18-30 VDC
Constant Current Excitation		2-10 mA
Spectral Noise @ 10 Hz		8 µg/√Hz
Spectral Noise @ 100 Hz		.82 µg/√Hz
Spectral Noise @ 1000 Hz		.3 µg/√Hz
Output Impedance		<100 ohm
Bias Output Voltage		10-14 VDC
Case Isolation		>10 ⁸ ohm

Specifications	Standard	Metric
Environmental		
Temperature Range	-40 to 250°F	-40 to 121°C
Maximum Shock Protection		5,000 g, peak
Sealing		Welded, Hermetic
Submersible Depth (TA184-2C/3C)	200 ft.	60 m
Physical		
Sensing Element		PZT Ceramic
Sensing Structure		Shear Mode
Weight	6.3 oz	180 grams
Case Material		316L Stainless Steel
Mounting		M8
Connector (non-integral)		3 Pin MIL-C-5015
Resonant Frequency	1,380,000 CPM	23000 Hz
Mounting Torque	2 to 5 ft. lbs.	2.7 to 6.8 Nm
Mounting Hardware	1/4-28 Stud	1/4-28 Stud
Calibration Certificate		CA10

Ordering Information

Metric	TA184-1A (M8 Captive Bolt)	TA184-2C (M8 Captive Bolt)	TA184-3C (M8 Captive Bolt)
		- / [] - [] (length in feet) (termination)	TA184-3C - / [] / [] - [] (M8 Captive Bolt) (maximum armor length 100 ft.) (cable length in feet) (termination)
		TA184-2C - / [] M - [] (M8 Captive Bolt) (length in meters) (termination)	TA184-3C - / [] M / [] M - [] (M8 Captive Bolt) (maximum armor length 30 m) (cable length in meters) (termination)

Cable Termination Options: **L** **Z**



VIBRATION ANALYSIS HARDWARE

Backed by our Unconditional Lifetime Warranty

TA102 Series

Dual Output, Temperature/Acceleration, Top Exit Connector/Cable, 100 mV/g, 10 mV/°C

SECTION 1 - VIBRATION SENSORS
Dual Output Accelerometers



Actual Product Size Shown

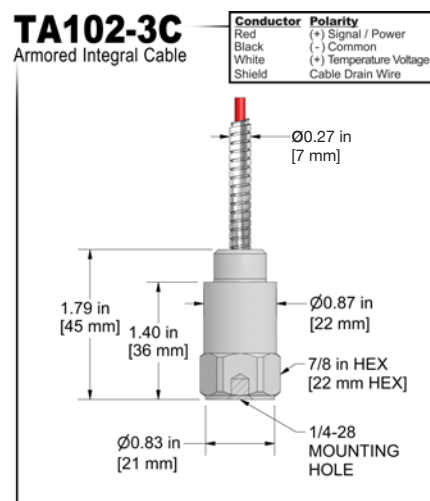
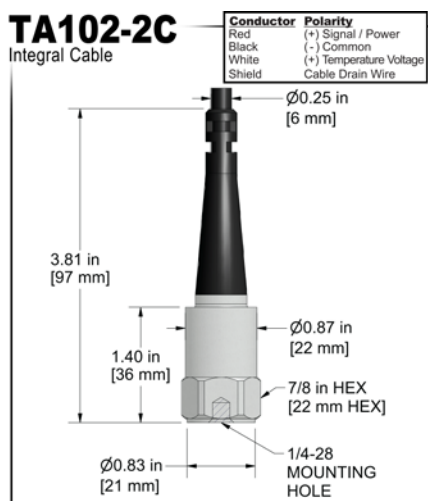
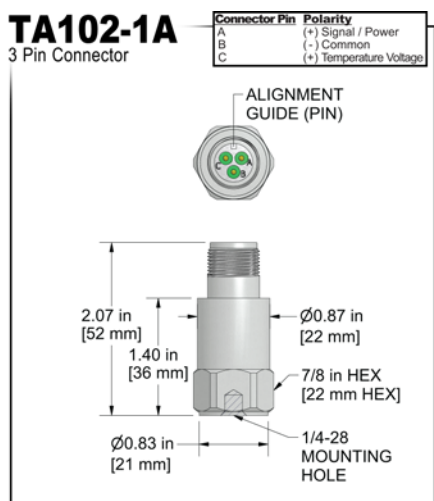


Requires **Multi-Conductor Cable**

Product Features

Temperature Output 10 mV/°C
High Performance in a Low Cost Sensor

- Standard 3 Pin MIL Connection
- Temperature and Acceleration in One Sensor
- Affordably Priced



Specifications	Standard	Metric
Part Number	TA102	M/TA102
Sensitivity (±10%)	100 mV/g	
Frequency Response (±3dB)	30-900,000 CPM	0.5-15000 Hz
Frequency Response (±10%)	120-720,000 CPM	2.0-12000 Hz
Dynamic Range	± 80 g, peak	
Temperature Measurement Range	37° to 250° F	3° to 121° C
Temperature Output	10 mV/°C	
Electrical		
Settling Time	<2.5 seconds	
Voltage Source	18-30 VDC	
Constant Current Excitation	2-10 mA	
Spectral Noise @ 10 Hz	8 µg/√Hz	
Spectral Noise @ 100 Hz	0.82 µg/√Hz	
Spectral Noise @ 1000 Hz	0.3 µg/√Hz	
Output Impedance	<100 ohm	
Bias Output Voltage	10-14 VDC	
Case Isolation	>10 ⁹ ohm	

Specifications	Standard	Metric
Environmental		
Temperature Range	-40 to 250°F	-40 to 121°C
Maximum Shock Protection	5,000 g, peak	
Electromagnetic Sensitivity	CE	
Sealing	Welded, Hermetic	
Submersible Depth (TA102-2C/3C)	200 ft.	60 m
Physical		
Sensing Element	PZT Ceramic	
Sensing Structure	Shear Mode	
Weight	3.2 oz	90 grams
Case Material	316L Stainless Steel	
Mounting	1/4-28	
Connector (non-integral)	3 Pin MIL-C-5015	
Resonant Frequency	1,380,000 CPM	23000 Hz
Mounting Torque	2 to 5 ft. lbs.	2.7 to 6.8 Nm
Mounting Hardware	1/4-28 Stud	M6x1 Adapter Stud
Calibration Certificate	CA10	

Ordering Information

Standard	TA102-1A (1/4-28 Stud)	TA102-2C (1/4-28 Stud)	- / [] - [] (length in feet) (termination)	TA102-3C (1/4-28 Stud)	- / [] / [] - [] (maximum armor length 100 ft.) (cable length in feet) (termination)
Metric	M/TA102-1A (M6x1 Adapter Stud)	M/TA102-2C (M6x1 Adapter Stud)	- / [] - [] (length in feet) (termination)	M/TA102-3C (M6x1 Adapter Stud)	- / [] / [] - [] (maximum armor length 100 ft.) (cable length in feet) (termination)
			[] M - [] (length in meters) (termination)		[] M / [] M - [] (maximum armor length 30 m) (cable length in meters) (termination)

Cable Termination Options: **L** **Z**

Backed by our Unconditional Lifetime Warranty

www.ctconline.com



TA104 Series

Dual Output, Temperature/Acceleration, Side Exit Connector/Cable, 100 mV/g, 10 mV/°C

SECTION 1 - VIBRATION SENSORS
Dual Output Accelerometers



Actual Product Size Shown

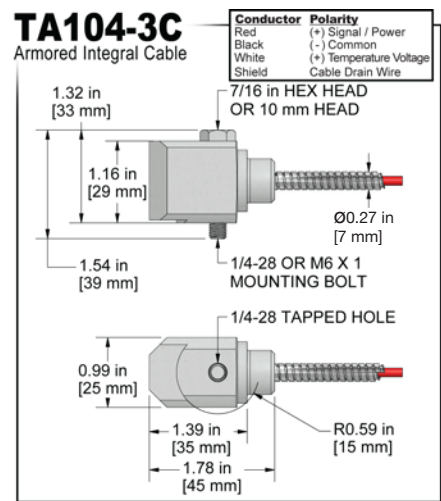
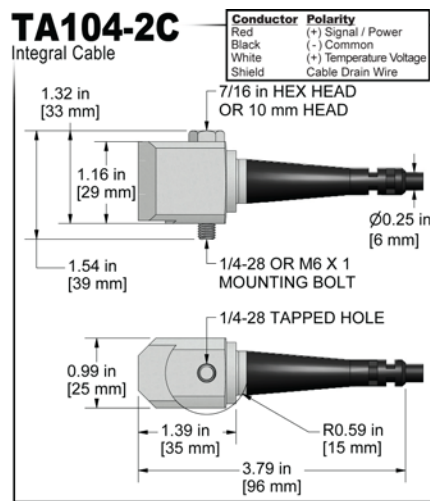
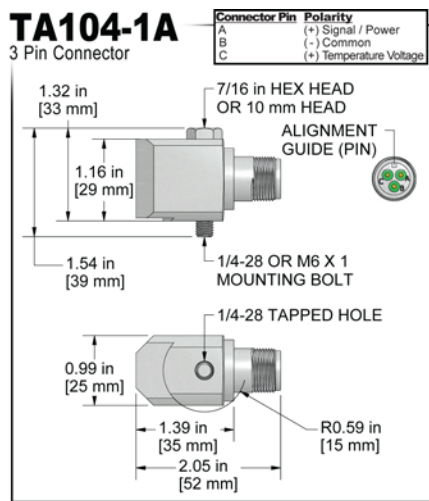


Requires **Multi-Conductor Cable**

Product Features

Temperature Output 10 mV/°C
High Performance in a Low Cost Sensor

- Standard 3 Pin MIL Connection
- Temperature and Acceleration in One Sensor
- Affordably Priced



Specifications	Standard	Metric
Part Number	TA104	M/TA104
Sensitivity (±10%)	100 mV/g	
Frequency Response (±3dB)	30-600,000 CPM	0.5-10000 Hz
Frequency Response (±10%)	120-300,000 CPM	2.0-5000 Hz
Dynamic Range	± 80 g, peak	
Temperature Measurement Range	37° to 250° F	3° to 121° C
Temperature Output	10 mV/°C	
Electrical		
Settling Time	<2.5 seconds	
Voltage Source	18-30 VDC	
Constant Current Excitation	2-10 mA	
Spectral Noise @ 10 Hz	8 µg/√Hz	
Spectral Noise @ 100 Hz	0.82 µg/√Hz	
Spectral Noise @ 1000 Hz	0.3 µg/√Hz	
Output Impedance	<100 ohm	
Bias Output Voltage	10-14 VDC	
Case Isolation	>10 ⁸ ohm	

Specifications	Standard	Metric
Environmental		
Temperature Range	-40 to 250°F	-40 to 121°C
Maximum Shock Protection	5,000 g, peak	
Electromagnetic Sensitivity	CE	
Sealing	Welded, Hermetic	
Submersible Depth (TA104-2C/3C)	200 ft.	60 m
Physical		
Sensing Element	PZT Ceramic	
Sensing Structure	Shear Mode	
Weight	5.6 oz	160 grams
Case Material	316L Stainless Steel	
Mounting	1/4-28	
Connector (non-integral)	3 Pin MIL-C-5015	
Resonant Frequency	1,260,000 CPM	21000 Hz
Mounting Torque	2 to 5 ft. lbs.	2.7 to 6.8 Nm
Mounting Hardware	1/4-28 Captive Bolt	M6x1 Captive Bolt
Calibration Certificate	CA10	

Ordering Information

Standard	TA104-1A (1/4-28 Captive Bolt)	TA104-2C (1/4-28 Captive Bolt)	- / [] - [] (length in feet) (termination)	TA104-3C (1/4-28 Captive Bolt)	- / [] / [] - [] (maximum armor length 100 ft.) (cable length in feet) (termination)
Metric	M/TA104-1A (M6x1 Captive Bolt)	M/TA104-2C (M6x1 Captive Bolt)	- / [] - [] (length in feet) (termination)	M/TA104-3C (M6x1 Captive Bolt)	- / [] / [] - [] (maximum armor length 100 ft.) (cable length in feet) (termination)
			[] M - [] (length in meters) (termination)		[] M / [] M - [] (maximum armor length 30 m) (cable length in meters) (termination)

Cable Termination Options: L **Z**



VIBRATION ANALYSIS HARDWARE

Backed by our Unconditional Lifetime Warranty

TA172 Series

Dual Output Temperature/Acceleration, Top Exit Connector/Cable,
100 mV/g, 10 mV/°K

SECTION 1 - VIBRATION SENSORS
Dual Output Accelerometers



Actual Product Size Shown



Compatible with **commtest** vbOnline™ and other standard systems

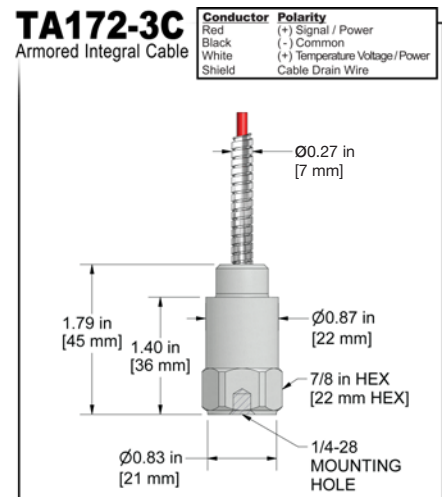
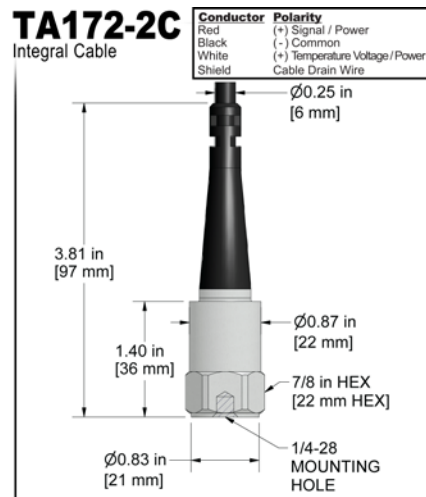
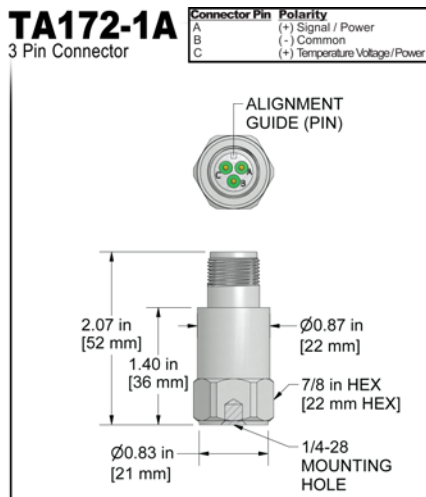
Requires **Multi-Conductor Cable**

Product Features

VB Series Compatible Dual Output Temperature/Vibration Sensors

10 mV/°K

- Standard 3 Pin MIL Connection
- High Performance in a Low Cost Sensor
- Requires Multi-Conductor Cable and Dual IEPE Power



Specifications	Standard	Metric
Part Number	TA172	M/TA172
Sensitivity (±10%)		100 mV/g
Frequency Response (±3dB)	30-900,000 CPM	0,5-15000 Hz
Frequency Response (±10%)	120-600,000 CPM	2,0-10000 Hz
Dynamic Range		± 50 g, peak
Temperature Measurement Range	-40° to 212° F	-40° to 100° C
Temperature Output		10 mV/°K
Electrical		
Settling Time		<2.5 seconds
Voltage Source		18-30 VDC
Constant Current Excitation		2-10 mA
Spectral Noise @ 10 Hz		14 µg/√Hz
Spectral Noise @ 100 Hz		2.3 µg/√Hz
Spectral Noise @ 1000 Hz		2 µg/√Hz
Output Impedance		<100 ohm
Bias Output Voltage		10-14 VDC
Case Isolation		>10 ⁸ ohm

Specifications	Standard	Metric
Environmental		
Temperature Range	-40 to 250°F	-40 to 121°C
Maximum Shock Protection		5,000 g, peak
Sealing		Welded, Hermetic
Submersible Depth (TA172-2C/3C)	200 ft.	60 m
Physical		
Sensing Element		PZT Ceramic
Sensing Structure		Shear Mode
Weight	3.2 oz	90 grams
Case Material		316L Stainless Steel
Mounting		1/4-28
Connector (non-integral)		3 Pin MIL-C-5015
Resonant Frequency	1,380,000 CPM	23000 Hz
Mounting Torque	2 to 5 ft. lbs.	2,7 to 6,8 Nm
Mounting Hardware	1/4-28 Stud	1/4-28 Stud
Calibration Certificate		CA10

Ordering Information

Standard	TA172-1A	TA172-2C	TA172-3C
	(1/4-28 Stud)	(1/4-28 Stud)	(1/4-28 Stud)
		- / [] - []	- / [] / [] - []
		(length in feet) (termination)	(maximum armor length 100 ft.) (cable length in feet) (termination)
Metric	M/TA172-1A	M/TA172-2C	M/TA172-3C
	(M6x1 Adapter Stud)	(M6x1 Adapter Stud)	(M6x1 Adapter Stud)
		- / [] - []	- / [] / [] - []
		(length in feet) (termination)	(maximum armor length 100 ft.) (cable length in feet) (termination)
		[] M - []	[] M / [] M - []
		(length in meters) (termination)	(maximum armor length 100 ft.) (cable length in meters) (termination)

Cable Termination Options: **L** **Z**

Backed by our Unconditional Lifetime Warranty

www.ctconline.com

