

AC210 Series

Premium Accelerometer, Top Exit Connector/Cable, 100 mV/g

SECTION 1 - VIBRATION SENSORS
Accelerometers



Actual Product Size Shown



Product Features

High Performance Sensor for Demanding Applications

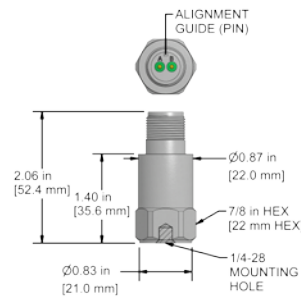
High g Dynamic Range with Excellent Frequency Response

- Higher Dynamic Range
- Bias Stability at Temperature
- Improved RF Immunity

AC210-1D

2 Pin Connector

Connector Pin	Polarity
A	(+) Signal/Power
B	(-) Common



AC210-2D

Integral Cable

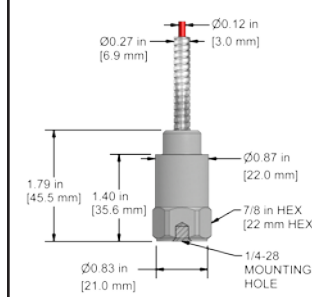
Conductor	Polarity
Red	(+) Signal/Power
Black	(-) Common
Shield	Cable Drain Wire



AC210-3D

Armored Integral Cable

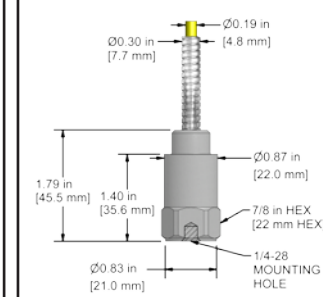
Conductor	Polarity
Red	(+) Signal/Power
Black	(-) Common
Shield	Cable Drain Wire



AC210-6D

Heavy Duty Armored Integral Cable

Conductor	Polarity
Red	(+) Signal/Power
Black	(-) Common
Shield	Cable Drain Wire



Specifications	Standard	Metric
Part Number	AC210	M/AC210
Sensitivity (±5%)	100 mV/g	
Frequency Response (±3dB)	30-900,000 CPM	0,5-15000 Hz
Frequency Response (±10%)	60-420,000 CPM	1,0-7000 Hz
Frequency Response (±5%)	120-240,000 CPM	2,0-4000 Hz
Dynamic Range	± 80 g, peak	
Compliances	CE	
Electrical		
Settling Time	<2.5 seconds	
Voltage Source (IEPE)	18-30 VDC	
Constant Current Excitation	2-10 mA	
Spectral Noise @ 10 Hz	14 µg/√Hz	
Spectral Noise @ 100 Hz	2.3 µg/√Hz	
Spectral Noise @ 1000 Hz	2 µg/√Hz	
Output Impedance	<100 ohm	
Bias Output Voltage	10-14 VDC	
Case Isolation	>10 ⁸ ohm	

Specifications	Standard	Metric
Environmental		
Temperature Range	-58 to 250°F	-50 to 121°C
Maximum Shock Protection	5,000 g, peak	
Electromagnetic Sensitivity	CE	
Sealing	IP68	
Submersible Depth (AC210-2D/3D)	200 ft.	60 m
Physical		
Sensing Element	PZT Ceramic	
Sensing Structure	Shear Mode	
Weight	3.2 oz	90 grams
Case Material	316L Stainless Steel	
Mounting	1/4-28	
Connector (non-integral)	2 Pin MIL-C-5015	
Resonant Frequency	1,560,000 CPM	26000 Hz
Mounting Torque	2 to 5 ft. lbs.	2,7 to 6,8 Nm
Mounting Hardware	1/4-28 Stud	M6x1 Adapter Stud
Calibration Certificate	CA10	

Ordering Information

Standard	AC210-1D (1/4-28 Stud)	AC210-2D - / (1/4-28 Stud)	AC210-3D - / (1/4-28 Stud)	AC210-6D - / (1/4-28 Stud)
		(length in feet) (termination)	(maximum armor length 100 ft.) (cable length in feet) (termination)	(maximum armor length 20 ft.) (cable length in feet) (termination)
Metric	M/AC210-1D (M6x1 Adapter Stud)	M/AC210-2D - / (M6x1 Adapter Stud)	M/AC210-3D - / (M6x1 Adapter Stud)	M/AC210-6D - / (M6x1 Adapter Stud)
		(length in meters) (termination)	(maximum armor length 30 m) (cable length in meters) (termination)	(maximum armor length 6 m) (cable length in meters) (termination)



Backed by our Unconditional Lifetime Warranty

www.ctconline.com



Actual Product Size Shown

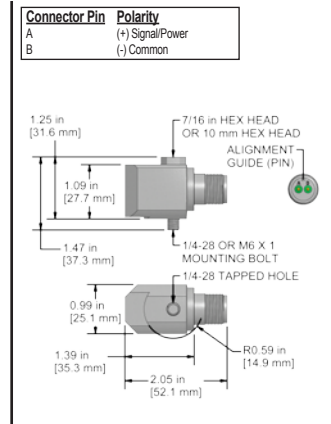


Product Features

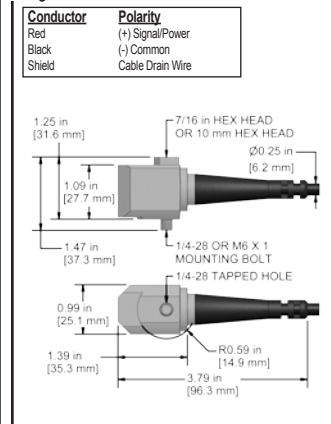
High Performance Side Exit Sensor for Demanding Applications
High g Dynamic Range with Excellent Frequency Response

- Higher Dynamic Range
- Bias Stability at Temperature
- Improved RF Immunity

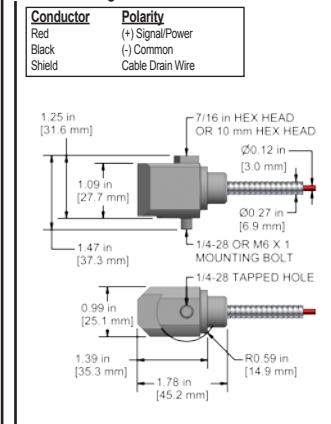
AC211-1D



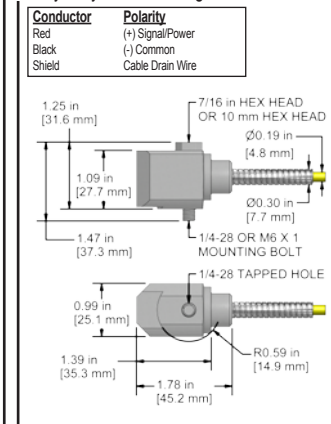
AC211-2D



AC211-3D



AC211-6D



Specifications	Standard	Metric
Part Number	AC211	M/AC211
Sensitivity (±5%)	100 mV/g	
Frequency Response (±3dB)	30-600,000 CPM	0.5-10000 Hz
Frequency Response (±10%)	60-240,000 CPM	1.0-4000 Hz
Frequency Response (±5%)	120-180,000 CPM	2.0-3000 Hz
Dynamic Range	± 80 g, peak	
Compliances	CE	
Electrical		
Settling Time	<2.5 seconds	
Voltage Source (IEPE)	18-30 VDC	
Constant Current Excitation	2-10 mA	
Spectral Noise @ 10 Hz	14 µg/√Hz	
Spectral Noise @ 100 Hz	2.3 µg/√Hz	
Spectral Noise @ 1000 Hz	2 µg/√Hz	
Output Impedance	<100 ohm	
Bias Output Voltage	10-14 VDC	
Case Isolation	>10 ⁸ ohm	

Specifications	Standard	Metric
Environmental		
Temperature Range	-58 to 250°F	-50 to 121°C
Maximum Shock Protection	5,000 g, peak	
Electromagnetic Sensitivity	CE	
Sealing	IP68	
Submersible Depth (AC211-2D/3D)	200 ft.	60 m
Physical		
Sensing Element	PZT Ceramic	
Sensing Structure	Shear Mode	
Weight	5.1 oz	145 grams
Case Material	316L Stainless Steel	
Mounting	1/4-28	
Connector (non-integral)	2 Pin MIL-C-5015	
Resonant Frequency	1,320,000 CPM	22000 Hz
Mounting Torque	2 to 5 ft. lbs.	2.7 to 6.8 Nm
Mounting Hardware	1/4-28 Captive Bolt	M6x1 Captive Bolt
Calibration Certificate	CA10	

Ordering Information

Standard	AC211-1D	AC211-2D - /	AC211-3D - /	AC211-6D - /
	(1/4-28 Captive Bolt) Stock Product	(1/4-28 Captive Bolt) Build To Order	(1/4-28 Captive Bolt) Build To Order	(1/4-28 Captive Bolt) Build To Order
		(length in feet) (termination)	(maximum armor length 100 ft.) (cable length in feet) (termination)	(maximum armor length 20 ft.) (cable length in feet) (termination)
Metric	M/AC211-1D (M6x1 Captive Bolt) Stock Product	M/AC211-2D - / (M6x1 Captive Bolt) Build To Order	M/AC211-3D - / (M6x1 Captive Bolt) Build To Order	M/AC211-6D - / (M6x1 Captive Bolt) Build To Order
		(length in meters) (termination)	(maximum armor length 30 m) (cable length in meters) (termination)	(maximum armor length 6 m) (cable length in meters) (termination)



AC216 Series

Premium Series, Magnet Mount Accelerometer, Side Exit Connector, 100 mV/g

Actual Product Size Shown



Product Features

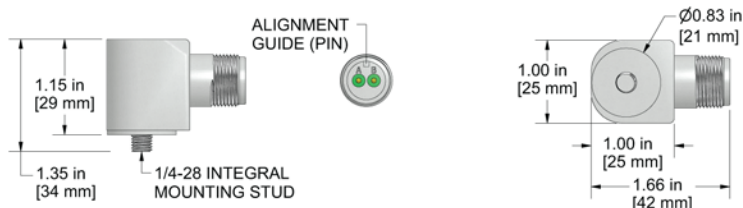
Premium Route-Based Sensor
High Performance at a Reasonable Price

- Specifically Designed to Use with MH214-3A Magnet
- Comfortable Ergonomic Design Makes Data Collection Easy
- ± 80 g, Peak Dynamic Range, $\pm 5\%$ Sensitivity

AC216-1A

2 Pin Connector

Connector Pin	Polarity
A	(+) Signal / Power
B	(-) Common



Specifications	Standard	Metric
Part Number	AC216	
Sensitivity ($\pm 5\%$)	100 mV/g	
Frequency Response (± 3 dB)	30-900,000 CPM	0.5-15000 Hz
Frequency Response ($\pm 10\%$)	60-600,000 CPM	1.0-10000 Hz
Frequency Response ($\pm 5\%$)	120-420,000 CPM	2.0-7000 Hz
Dynamic Range	± 80 g, peak	
Electrical		
Settling Time	<2.5 seconds	
Voltage Source (IEPE)	18-30 VDC	
Constant Current Excitation	2-10 mA	
Spectral Noise @ 10 Hz	8 $\mu\text{g}/\sqrt{\text{Hz}}$	
Spectral Noise @ 100 Hz	0.82 $\mu\text{g}/\sqrt{\text{Hz}}$	
Spectral Noise @ 1000 Hz	0.3 $\mu\text{g}/\sqrt{\text{Hz}}$	
Output Impedance	<100 ohm	
Bias Output Voltage	10-14 VDC	
Case Isolation	>10 ⁸ ohm	

Specifications	Standard	Metric
Environmental		
Temperature Range	-58 to 250°F	-50 to 121°C
Maximum Shock Protection	5,000 g, peak	
Electromagnetic Sensitivity	CE	
Sealing	IP68	
Physical		
Sensing Element	PZT Ceramic	
Sensing Structure	Shear Mode	
Weight	4.4 oz	124 grams
Case Material	316L Stainless Steel	
Mounting	1/4-28	
Connector (non-integral)	2 Pin MIL-C-5015	
Resonant Frequency	1,380,000 CPM	23000 Hz
Mounting Torque	2 to 5 ft. lbs.	2.7 to 6.8 Nm
Mounting Hardware	1/4-28 Integral Stud	M6x1 Integral Stud
Calibration Certificate	CA10	

Ordering Information

Standard	AC216-1A (1/4-28 Stud)
----------	---------------------------



Backed by our Unconditional Lifetime Warranty

www.ctconline.com

