



Actual Product Size Shown



Product Features

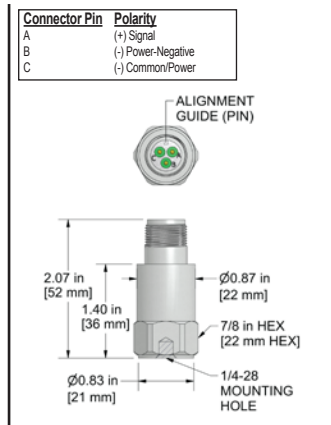
Comparable to Bently™ 330425

± 5% Sensitivity Tolerance

- 3 Wire Negative Voltage Sensor
- ±120 g, Peak Dynamic Range
- 25 mV/g Nominal Sensitivity

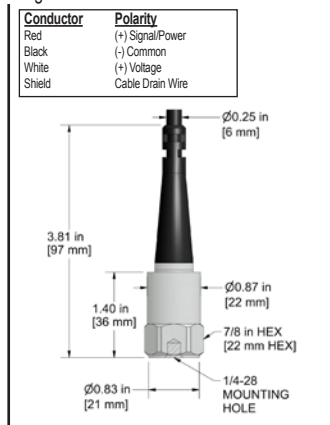
AC162-1A

3 Pin Connector



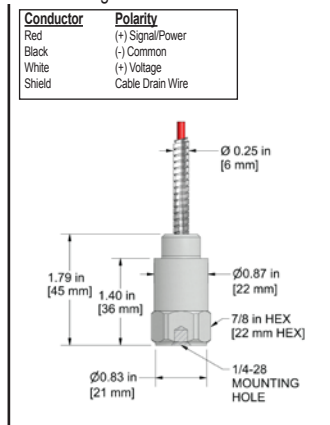
AC162-2C

Integral Cable



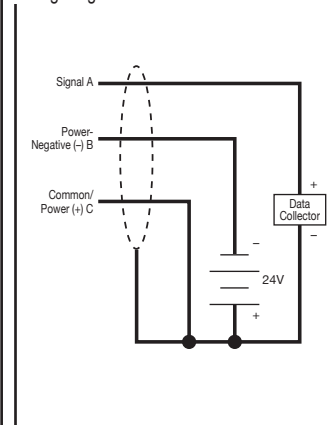
AC162-3C

Armored Integral Cable



AC162

Wiring Diagram



Specifications	Standard	Metric
Part Number	AC162	M/AC162
Sensitivity (±5%)	25 mV/g	
Frequency Response (±3dB)	450-900,000 CPM	7,5-15000 Hz
Frequency Response (±10%)	1200-600,000 CPM	20-10000 Hz
Dynamic Range	± 120 g, peak	
Electrical		
Settling Time	<2 Seconds	
Power Supply	(-24 ± 4) VDC, <15 mA	
Bias Current	<1 mA	
Broadband Noise Floor (10 to 15k Hz)	.002 g RMS	
Output Impedance	<5 ohm	
Bias Output Voltage	-8.5 VDC Nominal	
Case Isolation	>10 ⁹ ohm	

Specifications	Standard	Metric
Environmental		
Temperature Range	-58 to 250°F	-50 to 121°C
Maximum Shock Protection	5,000 g, peak	
Sealing	IP68	
Physical		
Sensing Element	PZT Ceramic	
Sensing Structure	Shear Mode	
Weight	3.1 oz	86 grams
Case Material	316L Stainless Steel	
Mounting	1/4-28	
Connector (non-integral)	3 Pin MIL	
Resonant Frequency	1,380,000 CPM	23000 Hz
Mounting Torque	2 to 5 ft. lbs.	2,7 to 6,8 Nm
Mounting Hardware	1/4-28 Stud	M6x1 Adapter Stud
Calibration Certificate	CA10	

Ordering Information

Standard	AC162-1A (1/4-28 Stud)	AC162-2C - / (1/4-28 Stud)	AC162-3C - / (1/4-28 Stud)
Metric	M/AC162-1A (M6x1 Adapter Stud)	M/AC162-2C - / (M6x1 Adapter Stud)	M/AC162-3C - / (M6x1 Adapter Stud)



AC165 Series

3 Wire Negative Voltage Accelerometer, Top Exit Connector, 100 mV/g



Actual Product Size Shown



Product Features

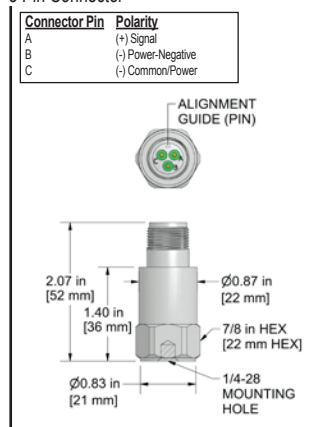
Comparable to Bently™ 330400

± 5% Sensitivity Tolerance

- 3 Wire Negative Voltage Sensor
- ±80 g, Peak Dynamic Range
- 100 mV/g Nominal Sensitivity

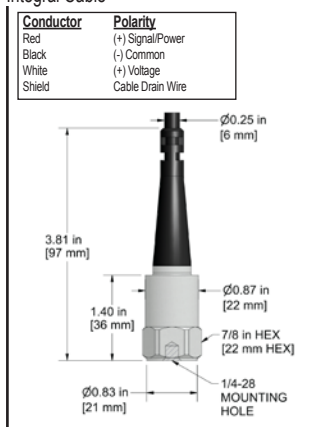
AC165-1A

3 Pin Connector



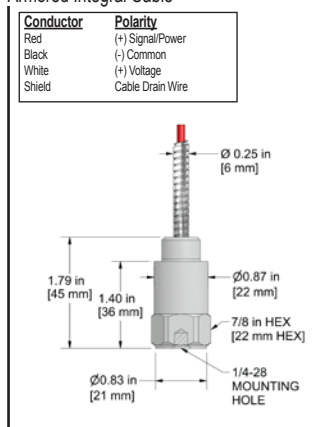
AC165-2C

Integral Cable



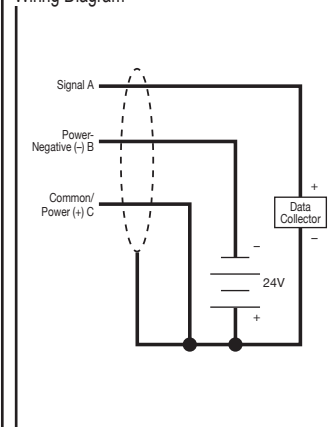
AC165-3C

Armored Integral Cable



AC165

Wiring Diagram



Specifications	Standard	Metric
Part Number	AC165	M/AC165
Sensitivity (±5%)	100 mV/g	
Frequency Response (±3dB)	450-900,000 CPM	7,5-15000 Hz
Frequency Response (±10%)	1200-600,000 CPM	20-10000 Hz
Dynamic Range	± 80 g, peak	
Electrical		
Settling Time	<2 Seconds	
Power Supply	(-24 ± 4) VDC, <15 mA	
Constant Current Excitation	<1 mA	
Broadband Noise Floor (10 to 15k Hz)	.002 g RMS	
Output Impedance	<5 ohm	
Bias Output Voltage	-8.5 VDC Nominal	
Case Isolation	>10 ⁸ ohm	

Specifications	Standard	Metric
Environmental		
Temperature Range	-58 to 250°F	-50 to 121°C
Maximum Shock Protection	5,000 g, peak	
Sealing	IP68	
Physical		
Sensing Element	PZT Ceramic	
Sensing Structure	Shear Mode	
Weight	3.1 oz	86 grams
Case Material	316L Stainless Steel	
Mounting	1/4-28	
Connector (non-integral)	3 Pin MIL	
Resonant Frequency	1,380,000 CPM	23000 Hz
Mounting Torque	2 to 5 ft. lbs.	2,7 to 6,8 Nm
Mounting Hardware	1/4-28 Stud	M6x1 Adapter Stud
Calibration Certificate	CA10	

Ordering Information

Standard	AC165-1A (1/4-28 Stud)	AC165-2C - / (1/4-28 Stud)	AC165-3C - / (1/4-28 Stud)
Metric	M/AC165-1A (M6x1 Adapter Stud)	M/AC165-2C - / (M6x1 Adapter Stud)	M/AC165-3C - / (M6x1 Adapter Stud)

Cable Termination Options: L Z



AC166 Series

3 Wire Negative Voltage Side Exit Accelerometer, 100 mV/g

Actual Product Size Shown



Product Features

Comparable to Bently™ 330400

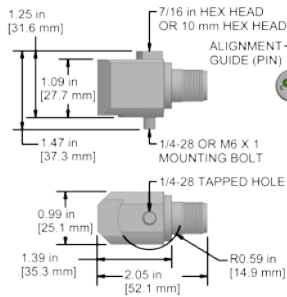
± 5% Sensitivity Tolerance

- 3 Wire Negative Voltage Sensor
- ±80 g, Peak Dynamic Range
- 100 mV/g Nominal Sensitivity

AC166-1A

3 Pin Connector

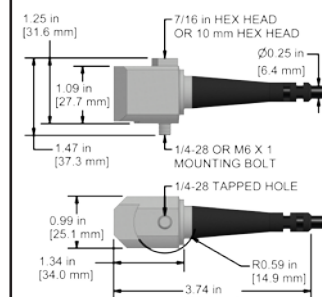
Connector Pin	Polarity
A	(+) Signal
B	(-) Power-Negative
C	(-) Common/Power



AC166-2C

Integral Cable

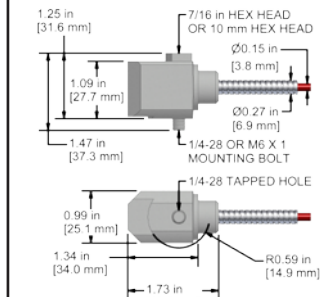
Conductor	Polarity
Red	(+) Signal/Power
Black	(-) Common
White	(+) Voltage
Shield	Cable Drain Wire



AC166-3C

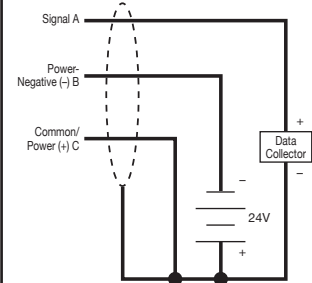
Armored Integral Cable

Conductor	Polarity
Red	(+) Signal/Power
Black	(-) Common
White	(+) Voltage
Shield	Cable Drain Wire



AC166

Wiring Diagram



Specifications	Standard	Metric
Part Number	AC166	M/AC166
Sensitivity (±5%)		100 mV/g
Frequency Response (±3dB)	450-600,000 CPM	7,5-10000 Hz
Frequency Response (±10%)	1200-180,000 CPM	20-3000 Hz
Dynamic Range	± 80 g, peak	
Electrical		
Settling Time	<2 Seconds	
Power Supply	(-24 ± 4) VDC, <15 mA	
Constant Current Excitation	<1 mA	
Broadband Noise Floor (10 to 15k Hz)	.002 g RMS	
Output Impedance	<5 ohm	
Bias Output Voltage	-8.5 VDC Nominal	
Case Isolation	>10 ⁸ ohm	

Specifications	Standard	Metric
Environmental		
Temperature Range	-58 to 250°F	-50 to 121°C
Maximum Shock Protection	5,000 g, peak	
Sealing	IP68	
Physical		
Sensing Element	PZT Ceramic	
Sensing Structure	Shear Mode	
Weight	5.2 oz	147 grams
Case Material	316L Stainless Steel	
Mounting	1/4-28	
Connector (non-integral)	3 Pin MIL	
Resonant Frequency	1,080,000 CPM	18000 Hz
Mounting Torque	2 to 5 ft. lbs.	2,7 to 6,8 Nm
Mounting Hardware	1/4-28 Captive Bolt	M6x1 Captive Bolt
Calibration Certificate	CA10	

Ordering Information

Standard	AC166-1A	AC166-2C - /	AC166-3C - /
	(1/4-28 Captive Bolt)	(1/4-28 Captive Bolt)	(1/4-28 Captive Bolt)
		(length in feet) (termination)	(maximum armor length 100 ft.) (cable length in feet) (termination)
Metric	M/AC166-1A	M/AC166-2C - /	M/AC166-3C - /
	(M6x1 Captive Bolt)	(M6x1 Captive Bolt)	(M6x1 Captive Bolt)
		(length in meters) (termination)	(maximum armor length 30 m) (cable length in meters) (termination)

Cable Termination Options: L Z

Backed by our Unconditional Lifetime Warranty

www.ctconline.com

