

# M2D LASER-Scanner

for 2-dimensional  
profile sensing

- Measuring
- Controlling
- Monitoring



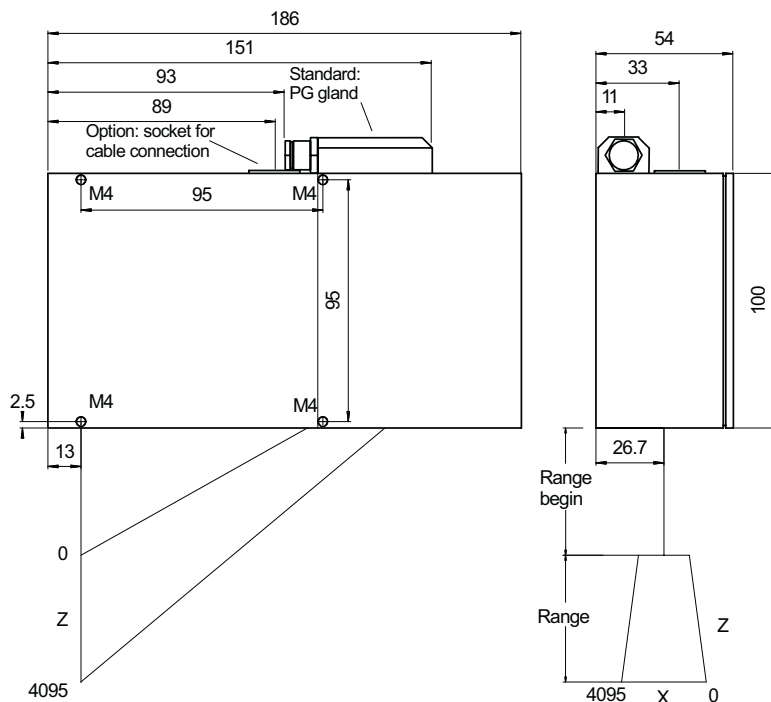
M2D 85/46  
M2D 120/54  
M2D 200/68



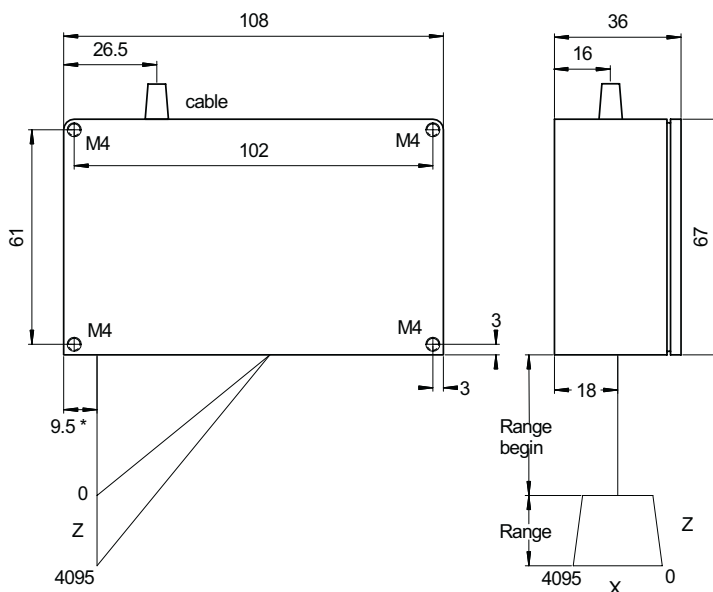
M2D 17/10  
M2D 40/20  
M2D 60/30

- range: 7 up to 1200 mm
- Scan width:  
6 up to 600 mm
- Scan rate 50 or 100 Hz
- many accessories,  
software and options

## TYPE 1 weight 1050g



## TYPE 2 weight 350 g



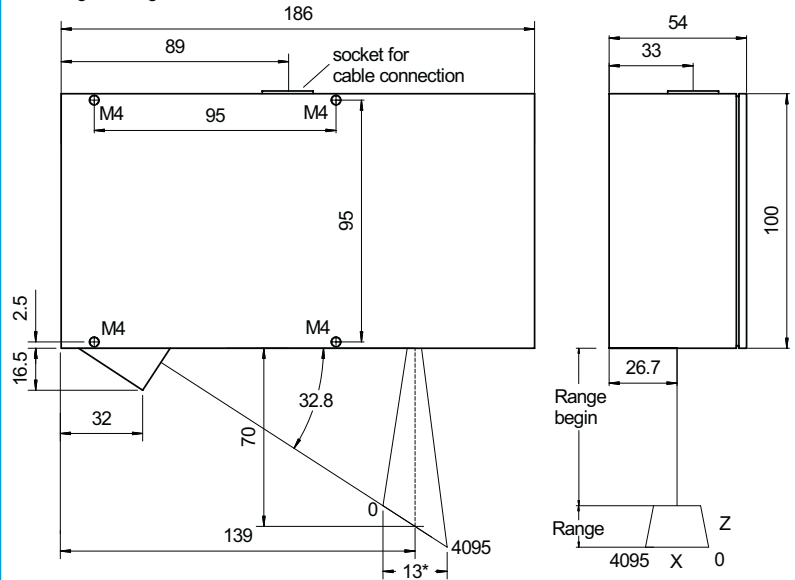
\* M2D40/20: distance case/laser = 8.6



**M2D 10/13**

**TYPE 4**

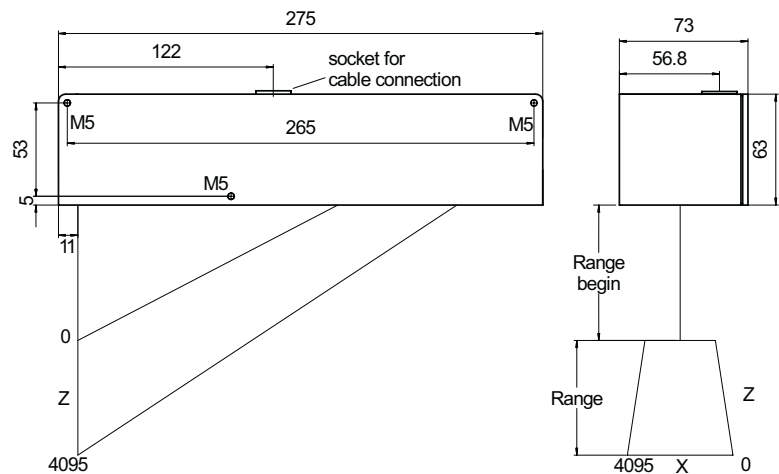
weight 1050g



**M2D 220/120**

**TYPE 5**

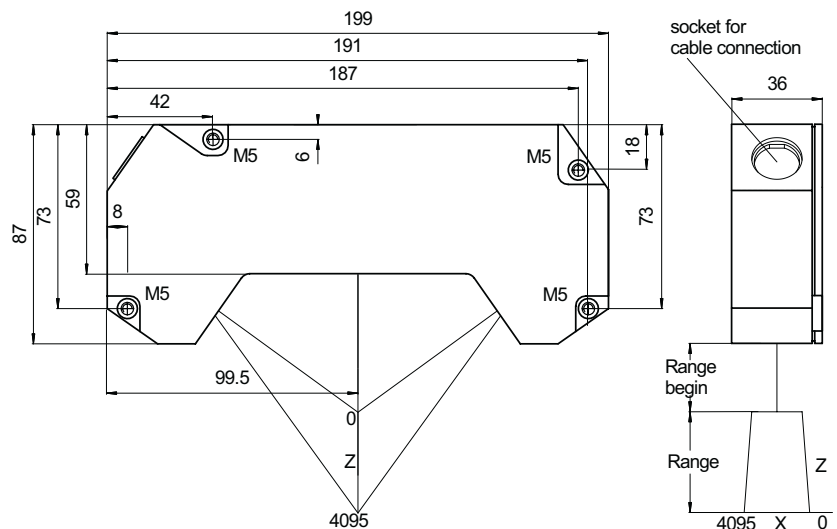
weight 1400 g

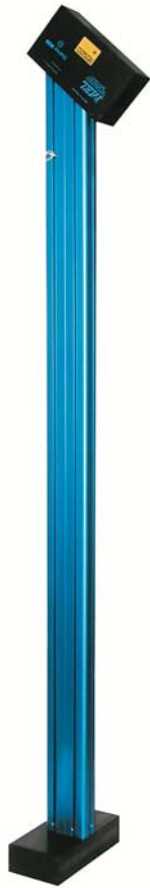


**M2D2 15/10  
Double head sensor**

**TYPE 11**

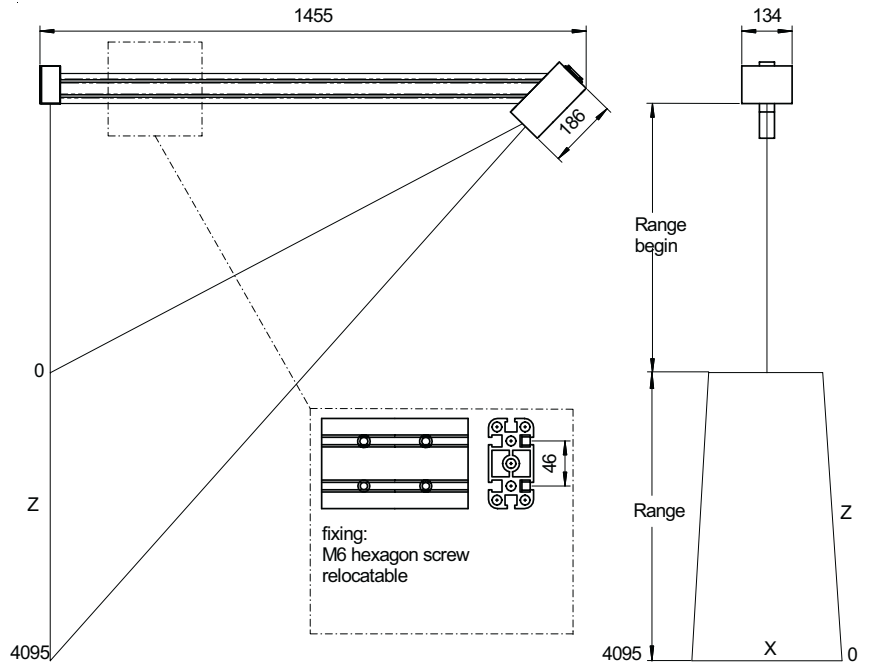
weight 730 g





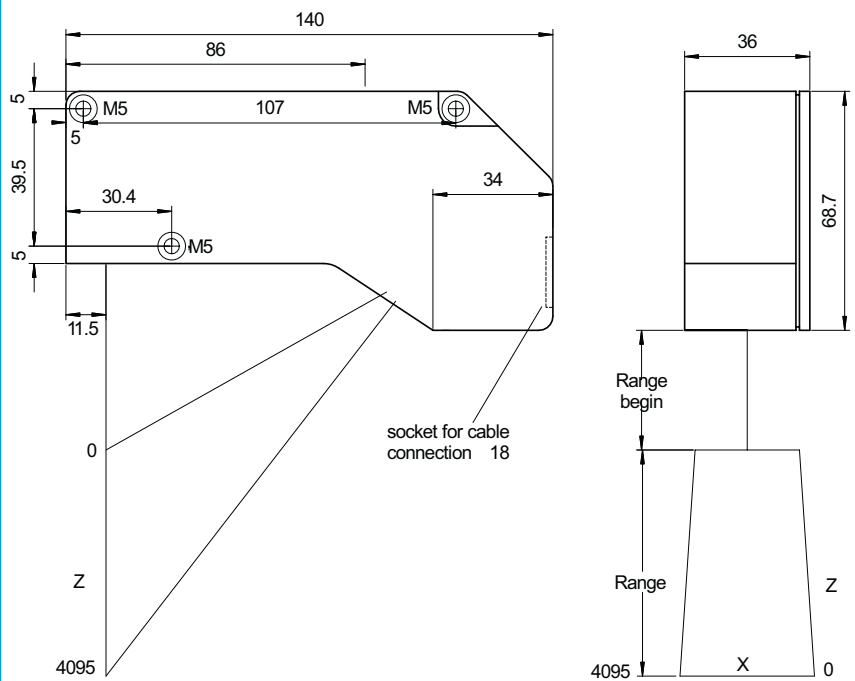
**M2D 1200/600**

**TYPE 6**  
weight 6700 g



**M2D 75/30**

**TYPE 8**  
weight 510 g



Technical Data M2D / 50 Hz- and 100 Hz version:

Scanner	10/13	17/10	15/10 M2D2	40/20	60/30	75/30	85/46	120/ 54	200/ 68	220/ 120	1200/ 600
Case type	4	2	11	2	2	8	1	1	1	5	6
Range Z [mm]	10	17	15	40	60	75	85	120	200	220	1200
Begin scan range X [mm]	13	10	10	20	30	30	46	54	68	120	600
End scan range X [mm]	15	13	11.6	27	40	40	60	80	100	160	900
Range begin Z [mm]	65	35	20	50	49	90	85	110	90	115	900
Resolution Z [mm]	0.02	0.03	0.025	0.05	0.08	0.15	0.15	0.25	0.3	0.3	1.2
Resolution X [mm]	0.02	0.02	0.025	0.03	0.05	0.05	0.08	0.1	0.1	0.18	1.0
Linearity [% of meas. value]	0.2	0.2	0.2	0.2	0.2	0.2	0.2	0.2	0.2	0.2	0.2
Laser protection class	3R	2	2	3R	2	2	2	2	2	2	3B

Scan rate*	<b>50 Hz</b>	<b>100 Hz</b>
Shutter speed**	1/28,000 s up to 1/125 s	1/47,000 up to 1/225 s
Specials		feeler gage, elapsed hour counter, serial number readable

Light source	Laser, wave length 658 nm, red visible
Ambient light	5,000 Lux
Operating time	Laser diode: 50,000 h
max. Vibration	5 g up to 1 kHz
Operating temperature	0° ... +40°C
Storage temperature	-20° ... +70°C
Humidity	< 90% RH
Protection class	IP 64
Power supply	via Electronic module: i-Control, Blue Box or ISA-Card
Measuring surface	white to black, shiny, high mirroring

\*) please order

\*\*) adjustable via software

**Delivery:**

- Sensor head
- Sensor cable 2 m
- Demo-Software
- Manual
- Electronic module alternatively:
  - i-Control
  - Blue Box
  - ISA-Card

**Options:**

- Special cable length

**Accessories:**

- Protection window / glass
- Protection window / plastics
- 2 Scanner synchronized