



Actual Product Size Shown



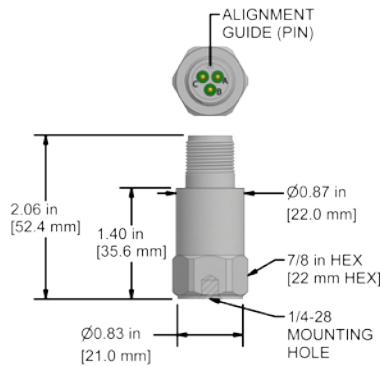
Product Features

Ultra Low Power Sensor For Battery Powered Transmission Systems

- 3 Pin MIL Connector
- Supply Voltage 3-5 Volts
- Compatible with Many Wireless Transmission Systems

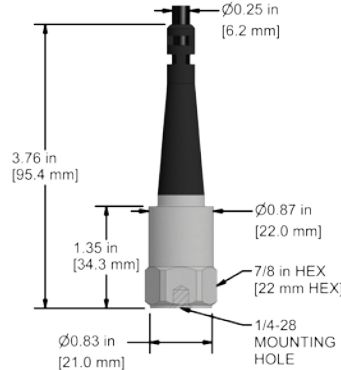
AC312-1A 3 Pin Connector

Connector Pin	Polarity
A	(+) Power
B	(-) Common
C	(+) Signal



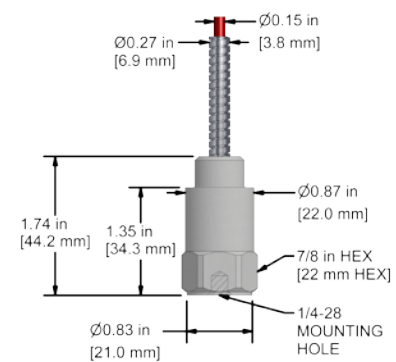
AC312-2C Integral Cable

Conductor	Polarity
Red	(+) Power
Black	(-) Common
White	(+) Signal



AC312-3C Armored Integral Cable

Conductor	Polarity
Red	(+) Power
Black	(-) Common
White	(+) Signal



Specifications	Standard	Metric
Part Number	AC312	M/AC312
Sensitivity (±10%)		25 mV/g
Frequency Response (±3dB)	30-900,000 CPM	0,5-15000 Hz
Frequency Response (±10%)	60-720,000 CPM	1,0-12000 Hz
Dynamic Range		± 50 g, peak
Electrical		
Settling Time		<1.0 second
Power Supply Voltage		3-5 VDC (10%)
Spectral Noise @ 10 Hz		60 µg/√Hz
Spectral Noise @ 100 Hz		20 µg/√Hz
Spectral Noise @ 1000 Hz		5 µg/√Hz
Output Impedance		<100 ohm
Bias Output Voltage		1.5 V ± 10%
Case Isolation		>10 ⁸ ohm
Supply Current		< 20 µA

Specifications	Standard	Metric
Environmental		
Temperature Range	-58 to 250°F	-50 to 121°C
Maximum Shock Protection		5,000 g, peak
Sealing		IP68
Submersible Depth (AC312-2C/3C)	200 ft.	60 m
Physical		
Sensing Element		PZT Ceramic
Sensing Structure		Shear Mode
Weight	3.2 oz	90 grams
Case Material		316L Stainless Steel
Mounting		1/4-28
Connector (non-integral)		3 Pin MIL-C-5015
Resonant Frequency	1,860,000 CPM	31000 Hz
Mounting Torque	2 to 5 ft. lbs.	2,7 to 6,8 Nm
Mounting Hardware	1/4-28 Stud	M6x1 Adapter Stud
Calibration Certificate		CA10

Ordering Information

Standard	AC312-1A (1/4-28 Stud)	AC312-2C - / (1/4-28 Stud)	AC312-3C - / (1/4-28 Stud)
		(maximum cable length 10 ft.) (termination)	(maximum armor length 10 ft.) (maximum cable length 10 ft.) (termination)
Metric	M/AC312-1A (M6x1 Adapter Stud)	M/AC312-2C - / (M6x1 Adapter Stud)	M/AC312-3C - / (M6x1 Adapter Stud)
		(maximum cable length 3 m) (termination)	(maximum armor length 3 m) (maximum cable length 3 m) (termination)

Cable Termination Options: **L** **Z**



Actual Product Size Shown



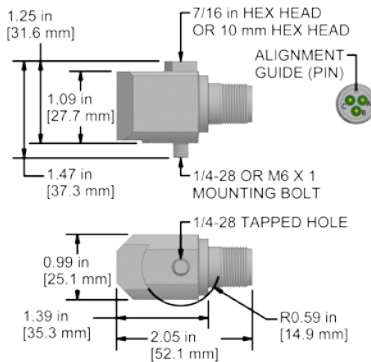
Product Features

Ultra Low Power Sensor For Battery Powered Transmission Systems

- 3 Pin MIL Connector
- Supply Voltage 3-5 Volts
- Compatible with Many Wireless Transmission Systems

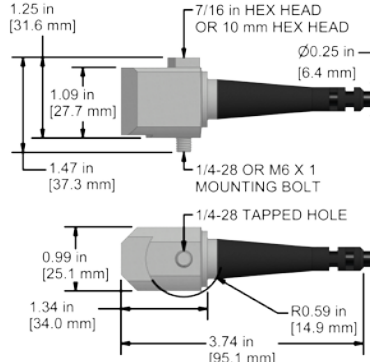
AC314-1A 3 Pin Connector

Connector Pin	Polarity
A	(+) Power
B	(-) Common
C	(+) Signal



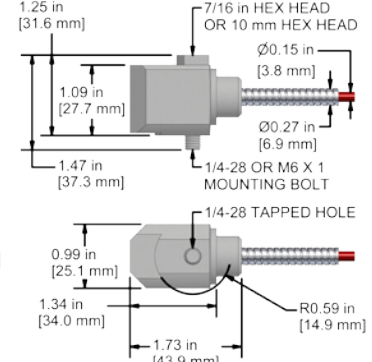
AC314-2C Integral Cable

Conductor	Polarity
Red	(+) Power
Black	(-) Common
White	(+) Signal



AC314-3C Armored Integral Cable

Conductor	Polarity
Red	(+) Power
Black	(-) Common
White	(+) Signal



Specifications	Standard	Metric
Part Number	AC314	M/AC314
Sensitivity (±10%)	25 mV/g	
Frequency Response (±3dB)	30-60,000 CPM	0.5-10000 Hz
Frequency Response (±10%)	60-480,000 CPM	1,0-8000 Hz
Dynamic Range	± 50 g, peak	
Electrical		
Settling Time	<1.0 second	
Power Supply Voltage	3-5 VDC (10%)	
Spectral Noise @ 10 Hz	60 µg/√Hz	
Spectral Noise @ 100 Hz	20 µg/√Hz	
Spectral Noise @ 1000 Hz	5 µg/√Hz	
Output Impedance	<100 ohm	
Bias Output Voltage	1.5 ± 10%	
Case Isolation	>10 ⁸ ohm	
Supply Current	< 20 µA	

Specifications	Standard	Metric
Environmental		
Temperature Range	-58 to 250°F	-50 to 121°C
Maximum Shock Protection	5,000 g, peak	
Sealing	IP68	
Submersible Depth (AC314-2C/3C)	200 ft.	60 m
Physical		
Sensing Element	PZT Ceramic	
Sensing Structure	Shear Mode	
Weight	5.1 oz	145 grams
Case Material	316L Stainless Steel	
Mounting	1/4-28	
Connector (non-integral)	3 Pin MIL-C-5015	
Resonant Frequency	1,260,000 CPM	21000 Hz
Mounting Torque	2 to 5 ft. lbs.	2,7 to 6,8 Nm
Mounting Hardware	1/4-28 Captive Bolt	M6x1 Captive Bolt
Calibration Certificate	CA10	

Ordering Information

Standard	AC314-1A (1/4-28 Captive Bolt)	AC314-2C - / (1/4-28 Captive Bolt)	AC314-3C - / (1/4-28 Captive Bolt)
	Stock Product	Build To Order (maximum cable length 10 ft.) (termination)	Build To Order (maximum armor length 10 ft.) (maximum cable length 10 ft.) (termination)
Metric	M/AC314-1A (M6x1 Captive Bolt)	M/AC314-2C - / (M6x1 Captive Bolt)	M/AC314-3C - / (M6x1 Captive Bolt)
	Stock Product	Build To Order (maximum cable length 10 ft.) (termination) Build To Order (maximum cable length 3 m) (termination)	Build To Order (maximum armor length 10 ft.) (maximum cable length 10 ft.) (termination) Build To Order (maximum armor length 3 m) (maximum cable length 3 m) (termination)

Cable Termination Options: L Z

