

LP401 Series

Dual Output Sensor, Loop Power 4-20 mA, Velocity, Dynamic Velocity, Top Exit Connector/Cable



Actual Product Size Shown

Product Features

Offers Continuous Protection Plus Dynamic Outputs for Diagnostics

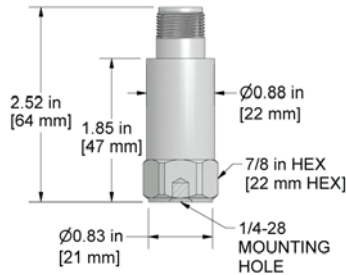
IEPE sensor power not required

- 4-20 mA Velocity and Dynamic Velocity Outputs
- Analytical Tool
- Outputs to PLC, DCS, SCADA

LP401-1B 3 Pin Connector

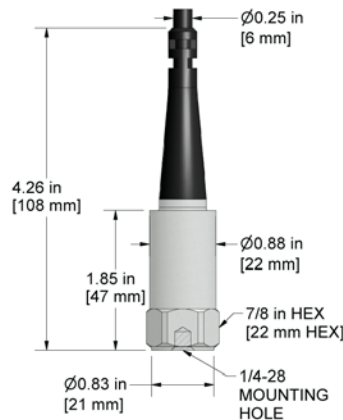
| Connector Pin | Polarity |
|---------------|-----------------------------|
| A | (+) Loop Power mA Output |
| B | (-) Common |
| C | (+) Dynamic Velocity Output |

ALIGNMENT GUIDE (PIN)



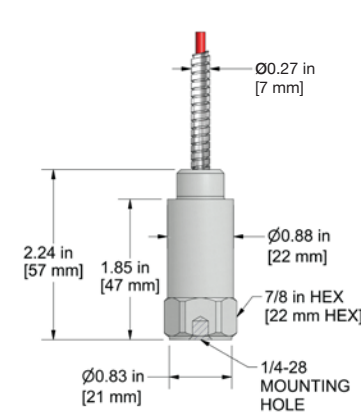
LP401-2C Integral Cable

| Conductor | Polarity |
|-----------|-----------------------------|
| Red | (+) Loop Power mA Output |
| Black | (-) Common |
| White | (+) Dynamic Velocity Output |
| Shield | Cable Drain Wire |



LP401-3C Armored Integral Cable

| Conductor | Polarity |
|-----------|-----------------------------|
| Red | (+) Loop Power mA Output |
| Black | (-) Common |
| White | (+) Dynamic Velocity Output |
| Shield | Cable Drain Wire |



| Specifications | Standard | Metric |
|---|----------------------|--------------|
| Output, 4-20 mA | See Selection Guide | |
| Measurement Range | See Selection Guide | |
| Tolerances | | |
| 4 mA | ± 5% | |
| 20 mA | ± 10% | |
| Dynamic Output Velocity | | |
| IEPE sensor power not required | | |
| Sensitivity ± 10% | 100 mV/in/sec | 4 mV/mm/sec |
| Frequency Response ± 3 dB | 120-600,000 CPM | 2,0-10000 Hz |
| Electrical | | |
| Setting Time (Turn on Time) @ Room Temp (68° F/20° C) | <60 Seconds | |
| Power Requirement (Loop Powered) Voltage Source | 12-28 VDC | |
| Electrical Case Isolation | >10 ⁸ ohm | |
| Environmental | | |
| Temperature Range | -40 to 185°F | -40 to 85°C |
| Electromagnetic Sensitivity | CE | |
| Sealing | Welded, Hermetic | |
| Submersible Depth (LP401-2C/3C) | 500 ft. | 152 m |

| Specifications | Standard | Metric |
|-----------------------------|---|-------------------|
| Physical | | |
| Sensing Element | PZT Ceramic | |
| Sensing Structure | Shear Mode | |
| Weight (without cable) | 3.7 oz | 105 grams |
| Case Material | 316L Stainless Steel | |
| Mounting Hole | 1/4-28 | |
| Connector (LP401-1B) | 3 Pin MIL-C-5015 | |
| Integral Cable (LP401-2C) | Polyurethane Jacketed Cable | |
| Armored Cable (LP401-3C) | Armor Jacketed Cable | |
| Mechanical | | |
| Mounting Torque | 2 to 5 ft. lbs. | 2,7 to 6,8 Nm |
| Supplied Accessories | | |
| Mounting Hardware | 1/4-28 Stud | M6x1 Adapter Stud |
| Calibration Certificate | CA10 (dynamic) Current Output @ 100 Hz | |

Ordering Information

/LP401 - - / / -Z

| Stud Type | Measurement Range | Range Type | Frequency Range +/- 3dB | Style | Armor Length (Integral) | Cable Length (Integral) |
|--------------------------------|---|---------------------|--|---|---|---|
| M = M6x1 (blank for 1/4-28) | 0 = 0-0.5 IPS (0-12.7 mm/sec) 1 = 0-1 IPS (0-25.4 mm/sec) 2 = 0-2 IPS (0-50.8 mm/sec) 3 = 0-10 mm/sec (0-0.4 IPS) 4 = 0-20 mm/sec (0-0.8 IPS) | R = RMS P = Peak | 1 = 600-60,000 CPM (10-1000 Hz) 2 = 180-150,000 CPM (3-2500 Hz) | 1B = 3 Pin MIL C-5015 2C = Integral Cable 3C = Armor Jacket | 010 = 10 ft. (3 m) 020 = 20 ft. (6 m) 030 = 30 ft. (9 m) 050 = 50 ft. (15 m) 100 = 100 ft. (30 m) <i>(Custom lengths available upon request)</i> | 010 = 10 ft. (3 m) 020 = 20 ft. (6 m) 030 = 30 ft. (9 m) 050 = 50 ft. (15 m) 100 = 100 ft. (30 m) <i>(Custom lengths available upon request)</i> |



Lifetime Warranty on Materials & Workmanship

LP402 Series

Dual Output Sensor, Loop Power 4-20 mA, Velocity, Dynamic Acceleration, Top Exit Connector/Cable



Actual Product Size Shown

Product Features

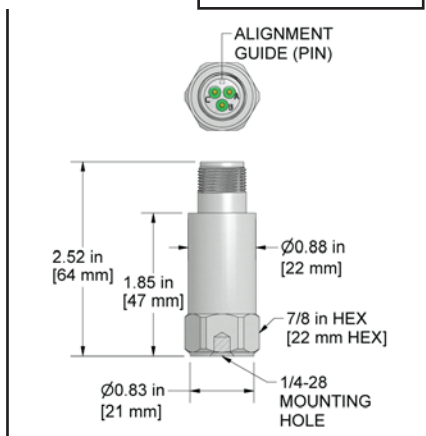
Offers Continuous Protection Plus Dynamic Outputs for Diagnostics
IEPE sensor power not required

- 4-20 mA Velocity and Dynamic Acceleration Outputs
- Analytical Tool
- Outputs to PLC, DCS, SCADA



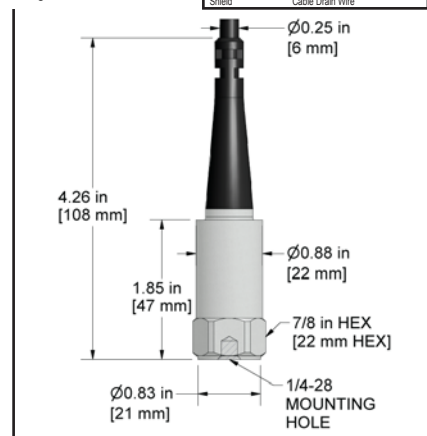
LP402-1B 3 Pin Connector

| Connector Pin | Polarity |
|---------------|---------------------------------|
| A | (+) Loop Power mA Output |
| B | (-) Common |
| C | (+) Dynamic Acceleration Output |



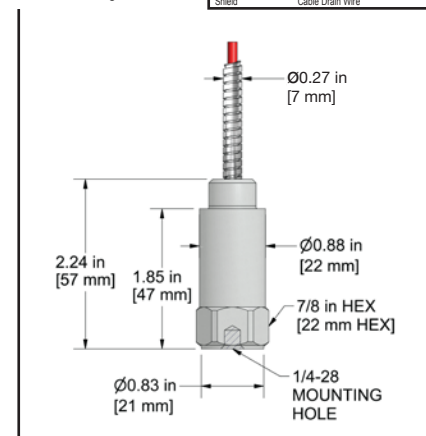
LP402-2C Integral Cable

| Conductor | Polarity |
|-----------|---------------------------------|
| Red | (+) Loop Power mA Output |
| Black | (-) Common |
| White | (+) Dynamic Acceleration Output |
| Shield | Cable Drain Wire |



LP402-3C Armored Integral Cable

| Conductor | Polarity |
|-----------|---------------------------------|
| Red | (+) Loop Power mA Output |
| Black | (-) Common |
| White | (+) Dynamic Acceleration Output |
| Shield | Cable Drain Wire |



| Specifications | Standard | Metric |
|--|--------------------------------|--------------|
| Output, 4-20 mA | See Selection Guide | |
| Measurement Range | See Selection Guide | |
| Tolerances | | |
| 4 mA | ± 5% | |
| 20 mA | ± 10% | |
| Dynamic Output Acceleration | IEPE sensor power not required | |
| Sensitivity ± 10% | 100 mV/g | |
| Frequency Response ± 3 dB | 120-900,000 CPM | 2,0-15000 Hz |
| Electrical | | |
| Settling Time (Turn on Time) @ Room Temp (68° F/20° C) | <60 Seconds | |
| Power Requirement (Loop Powered) Voltage Source | 12-28 VDC | |
| Electrical Case Isolation | >10 ⁸ ohm | |
| Environmental | | |
| Temperature Range | -40 to 185°F | -40 to 85°C |
| Electromagnetic Sensitivity | CE | |
| Sealing | Welded, Hermetic | |
| Submersible Depth (LP402-2C/3C) | 500 ft. | 152 m |

| Specifications | Standard | Metric |
|-----------------------------|---|-------------------|
| Physical | | |
| Sensing Element | PZT Ceramic | |
| Sensing Structure | Shear Mode | |
| Weight (without cable) | 3.7 oz | 105 grams |
| Case Material | 316L Stainless Steel | |
| Mounting Hole | 1/4-28 | |
| Connector (LP402-1B) | 3 Pin MIL-C-5015 | |
| Integral Cable (LP402-2C) | Polyurethane Jacketed Cable | |
| Armored Cable (LP402-3C) | Armor Jacketed Cable | |
| Mechanical | | |
| Mounting Torque | 2 to 5 ft. lbs. | 2,7 to 6,8 Nm |
| Supplied Accessories | | |
| Mounting Hardware | 1/4-28 Stud | M6x1 Adapter Stud |
| Calibration Certificate | CA10 (dynamic) Current Output @ 100 Hz | |

Ordering Information



| Stud Type | Measurement Range | Range Type | Frequency Range +/- 3dB | Style | Armor Length (Integral) | Cable Length (Integral) |
|--------------------------------|---|---------------------|--|---|---|---|
| M = M6x1 (blank for 1/4-28) | 0 = 0-0.5 IPS (0-12.7 mm/sec) 1 = 0-1 IPS (0-25.4 mm/sec) 2 = 0-2 IPS (0-50.8 mm/sec) 3 = 0-10 mm/sec (0-0.4 IPS) 4 = 0-20 mm/sec (0-0.8 IPS) | R = RMS P = Peak | 1 = 600-60,000 CPM (10-1000 Hz) 2 = 180-150,000 CPM (3-2500 Hz) | 1B = 3 Pin MIL C-5015 2C = Integral Cable 3C = Armor Jacket | 010 = 10 ft. (3 m) 020 = 20 ft. (6 m) 030 = 30 ft. (9 m) 050 = 50 ft. (15 m) 100 = 100 ft. (30 m) <i>(Custom lengths available upon request)</i> | 010 = 10 ft. (3 m) 020 = 20 ft. (6 m) 030 = 30 ft. (9 m) 050 = 50 ft. (15 m) 100 = 100 ft. (30 m) <i>(Custom lengths available upon request)</i> |

Lifetime Warranty on Materials & Workmanship

www.ctconline.com



PROTECTION & RELIABILITY
OPTIMIZATION INSTRUMENTS
A CTE COMPANY

LP404 Series

Dual Output Sensor, Loop Power 4-20 mA, Acceleration, Dynamic Acceleration, Top Exit Connector



Actual Product Size Shown

Product Features

Offers Continuous Protection Plus Dynamic Outputs for Diagnostics

IEPE sensor power not required

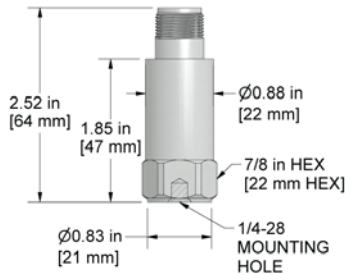
- 4-20 mA Acceleration and Dynamic Acceleration Outputs
- Analytical Tool
- Outputs to PLC, DCS, SCADA



LP404-1B 3 Pin Connector

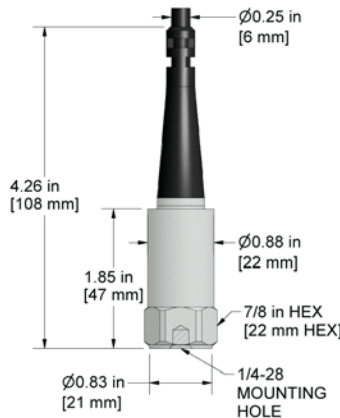
| Connector Pin | Polarity |
|---------------|---------------------------------|
| A | (+) Loop Power mA Output |
| B | (-) Common |
| C | (+) Dynamic Acceleration Output |

ALIGNMENT GUIDE (PIN)



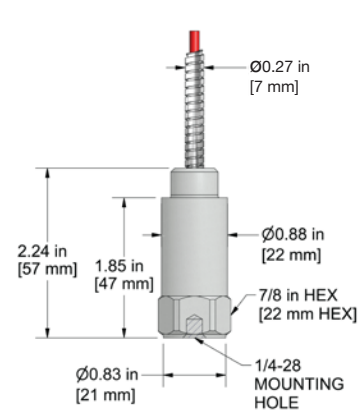
LP404-2C Integral Cable

| Conductor | Polarity |
|-----------|---------------------------------|
| Red | (+) Loop Power mA Output |
| Black | (-) Common |
| White | (+) Dynamic Acceleration Output |
| Shield | Cable Drain Wire |



LP404-3C Armored Integral Cable

| Conductor | Polarity |
|-----------|---------------------------------|
| Red | (+) Loop Power mA Output |
| Black | (-) Common |
| White | (+) Dynamic Acceleration Output |
| Shield | Cable Drain Wire |



| Specifications | Standard | Metric |
|---|--------------------------------|--------------|
| Output, 4-20 mA | See Selection Guide | |
| Measurement Range | See Selection Guide | |
| Tolerances | | |
| 4 mA | ± 5% | |
| 20 mA | ± 10% | |
| Dynamic Output Acceleration | IEPE sensor power not required | |
| Sensitivity ± 10% | 100 mV/g | |
| Frequency Response ± 3 dB | 120-900,000 CPM | 2,0-15000 Hz |
| Electrical | | |
| Setting Time (Turn on Time) @ Room Temp (68° F/20° C) | <60 Seconds | |
| Power Requirement (Loop Powered) Voltage Source | 12-28 VDC | |
| Electrical Case Isolation | >10 ⁸ ohm | |
| Environmental | | |
| Temperature Range | -40 to 185°F | -40 to 85°C |
| Electromagnetic Sensitivity | CE | |
| Sealing | Welded, Hermetic | |
| Submersible Depth (LP404-2C/3C) | 500 ft. | 152 m |

| Specifications | Standard | Metric |
|-----------------------------|--|-------------------|
| Physical | | |
| Sensing Element | PZT Ceramic | |
| Sensing Structure | Shear Mode | |
| Weight (without cable) | 3.7 oz | 105 grams |
| Case Material | 316L Stainless Steel | |
| Mounting Hole | 1/4-28 | |
| Connector (LP404-1B) | 3 Pin MIL-C-5015 | |
| Integral Cable (LP404-2C) | Polyurethane Jacketed Cable | |
| Armored Cable (LP404-3C) | Armor Jacketed Cable | |
| Mechanical | | |
| Mounting Torque | 2 to 5 ft. lbs. | 2,7 to 6,8 Nm |
| Supplied Accessories | | |
| Mounting Hardware | 1/4-28 Stud | M6x1 Adapter Stud |
| Calibration Certificate | CA10 (dynamic) Current Output @ 100 Hz (4-20) | |

Ordering Information



| Stud Type | Measurement Range | Range Type | Frequency Range +/- 3dB | Style | Armor Length (Integral) | Cable Length (Integral) |
|--------------------------------|---|---------------------|--|---|---|---|
| M = M6x1 (blank for 1/4-28) | 0 = 0-1 g 2 = 0-2 g 5 = 0-5 g 10 = 0-10 g 20 = 0-20 g | R = RMS P = Peak | 1 = 600-60,000 CPM (10-1000 Hz) 2 = 180-150,000 CPM (3-2500 Hz) | 1B = 3 Pin MIL C-5015 2C = Integral Cable 3C = Armor Jacket | 010 = 10 ft. (3 m) 020 = 20 ft. (6 m) 030 = 30 ft. (9 m) 050 = 50 ft. (15 m) 100 = 100 ft. (30 m) <i>(Custom lengths available upon request)</i> | 010 = 10 ft. (3 m) 020 = 20 ft. (6 m) 030 = 30 ft. (9 m) 050 = 50 ft. (15 m) 100 = 100 ft. (30 m) <i>(Custom lengths available upon request)</i> |



PROTECTION & RELIABILITY
OPTIMIZATION INSTRUMENTS
A CTC COMPANY

Lifetime Warranty on Materials & Workmanship