



Laser Triangulation Displacement Sensors



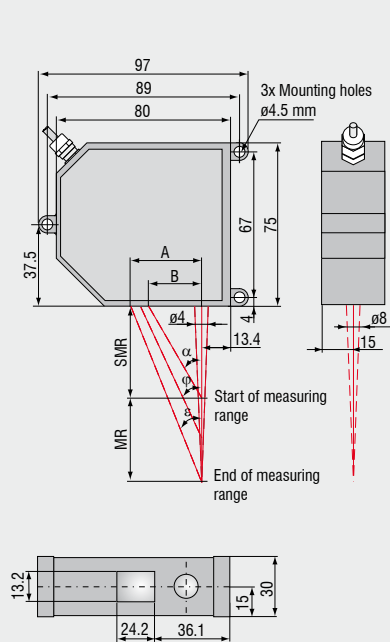


-  **Seven models with measuring ranges from 2mm to 200mm**
-  **Sensor head and separate controller**
-  **Measurement rate up to 10kHz/20kHz**
-  **Real Time Surface Compensation**
-  **Analogue and digital output**
-  **Adjustable filter functions (firmware)**
-  **Calibration certificate included**
-  **Configuration via software www.micro-epsilon.com/download**

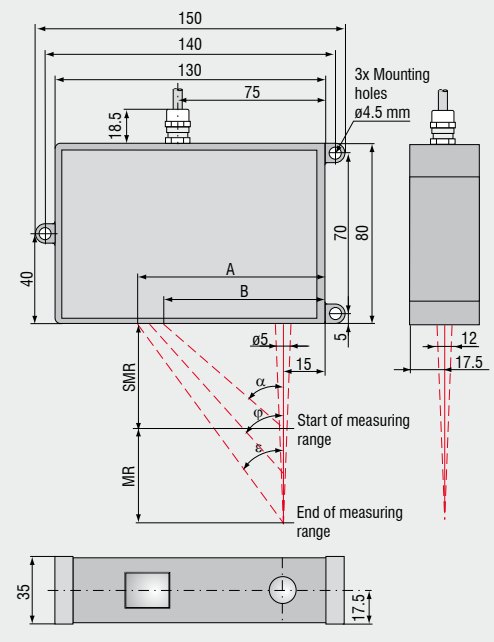
At the head of the Micro-Epsilon laser family stands the optoNCDT 2200 series. Extreme accuracy, high measuring rate and constant signal stability, can be achieved at maximum speed without any signal averaging. This is world's first in terms of capability, enabling the sensor to solve the most demanding measurement applications. The digital output signal can be combined with the IF2008 PCI card (also designed and supplied by Micro-Epsilon) to synchronise multiple sensors at full measurement rate for easy data acquisition direct to a PC.

The optoNCDT 2220 provides a genuine 20kHz measurement rate for every measurement task. The series is ideally suited to super-fast, complex applications and offers a high speed measurement with excellent resolution.

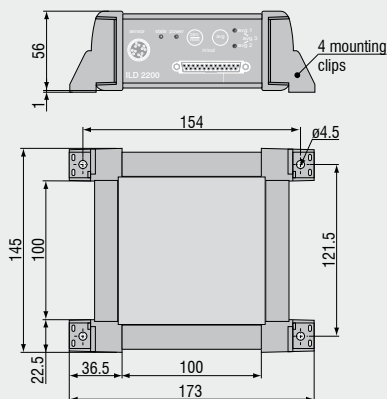
optoNCDT 2200 (2/10/20/50/100mm)
optoNCDT 2220 (2/10/20/50/100mm)



optoNCDT 2200 (40/200mm)
optoNCDT 2220 (200mm)



Controller



(Dimensions in mm, not to scale. All CAD files are available online.)

MR	SMR	α	ϕ	ϵ	A	B
2	24	35.0°	40.0°	44.8°	25.8	16.8
10	30	34.3°	35.2°	35.6°	28.7	20.5
20	40	28.8°	27.5°	26.7°	30.1	22
50	45	26.5°	23.0°	18.3°	31.5	22.5
100	70	19.0°	15.4°	10.9°	32.6	24.1
40	175	22.1°	21.9°	21.8°	101	86
200	130	25.1°	16.7°	13.1°	91.6	76

Model	ILD 2200-2 ILD 2220-2	ILD 2200-10 ILD 2220-10	ILD 2200-20 ILD 2220-20	ILD 2200-40	ILD 2200-50 ILD 2220-50	ILD 2200-100 ILD 2220-100	ILD 2200-200 ILD 2220-200	
Measuring range	2mm	10mm	20mm	40mm	50mm	100mm	200mm	
Start of measuring range	24mm	30mm	40mm	175mm	45mm	70mm	130mm	
Midrange	25mm	35mm	50mm	195mm	70mm	120mm	230mm	
End of measuring range	26mm	40mm	60mm	215mm	95mm	170mm	330mm	
Linearity	1µm ≤0.05% FSO	3µm	6µm	12µm	15µm	30µm	60µm	
Resolution ¹⁾ (without averaging)	0.03µm	0.15µm	0.3µm	0.6µm	0.8 µm	1.5µm	3µm	
Measuring rate	ILD 2200 ILD 2220	10kHz 20kHz						
Permissible ambient light	30,000lx							
Spot diameter	SMR MMR EMR	80µm 35µm 80µm	110µm 50µm 110µm	160µm 60µm 160µm	230µm 210µm 230µm	215µm 80µm 215µm	350µm 130µm 350µm	1300µm 1300µm 1300µm
Light source	semiconductor laser <1mW, 670nm (red)							
Laser safety class	class 2 IEC 60825-1 : 2008-05							
Protection class	sensor: IP 65 / controller: IP 50							
Temperature stability	0.025% FSO/°C	0.01% FSO/°C						
Operation temperature	0 ... +50°C							
Storage temperature	-20 ... +70°C							
Output	analogue: ±5V digital: RS 422 / 691.2kBaud							
Power supply	24VDC (±15%), max. 500mA							
Sensor cable length	standard: 2m - integrated option: 5m/10m							
Controller	functions: auto zero / signal averaging dimensions: 143mm x 145mm x 52mm - without mounting clips							
Electromagnetic compatibility (EMC)	EN 55011/12.1998 and EN 50082-2/ 02.1996							
Vibration	2g / 20 ... 500Hz							
Shock	15g / 6ms / 3 axis							
Weight	sensor controller	~550g	~550g	~600g	~600g	~550g	~600g	

FSO = Full Scale Output All specifications apply for a diffusely reflecting matt white ceramic target

SMR = Start of measuring range MMR = Midrange EMR = End of measuring range

¹⁾ resolution digital output 16bit

Custom Sensor Modifications

For applications where the above standard sensors do not meet your requirements, it may be possible to supply a sensor with modified specification. Please contact us for further information.

Options

- Non standard measuring range and stand off
- Custom housing or mounting geometry
- Measuring rate 2.5 / 5 / 10 / 20kHz
- Non standard signal interfaces
- Special cable length of electrical connector
- 90° beam deflection
- Vacuum suitability
- Reduced mass
- Increased shock and vibration resistance

Accessories for all optoNCDT SeriesPower supply

PS 2020 (Power Supply 24 V / 2,5 A, Input 100 - 240 VAC, output 24 VDC / 2.5 A, for snap in mounting on DIN 50022 rail)

Controller

CSP 2008 (controller for processing of multiple sensor signals; analogue and digital interfaces)

Interface card

IF2008 (Interface card for individual signal processing; analogue and digital interfaces)

Accessories optoNCDT 1302 / 1402Supply and output cable, rated for moving cable tracks (also available in 90° version)

PC 1402-3/I (3m, output 4 ... 20mA)

PC 1402-6/I (6m, output 4 ... 20mA)

PC 1402-3/U (3m, with integral resistance, output 1 ... 5VDC)

PC 1402-6/U (6m, with integral resistance, output 1 ... 5VDC)

PC1402-3/IF2008 (3m, supply and output cable)

PC 1402-3/USB (3m, supply and output cable)

PC1401/1402-0.2 (0.2m, adapter cable 12-pin to 7-pin)

PC 1402-3/CSP (3m, required for CSP 2008, optoNCDT 1402 only)

Supply and output cable, robot rated

(available in 90° version)

PCR 1402-3/I (3m)

PCR 1402-6/I (6m)

PCR 1402-8/I (8m)

Protective housing

SGH 1800

SGHF 1800

Accessories optoNCDT 1607 / 1627Supply and output cable

PC 1605-3 (3m)

PC 1605-6 (6m)

PC 1607-3/RS232 (3m, with 9-pin Sub-D connector for RS232)

Protective housing

SGF 1605-20 (for LD1607-2/4/10/20)

SGF 1605-200 (for LD1607-50/100/200)

SGL with connection for compressed air

Accessories**optoNCDT 1700/1700LL**Supply and output cable

(drag chain rated)

PC 1700-3 (3m)

PC 1700-10 (10m)

PC 1700-10/3/IF2008 (10m, for use with interface card IF2008)

PC 1700-3/T (3m, for use with trigger box)

PC 1700-10/T

(10m, for use with trigger box)

PC 1700-3/USB (3m, with USB-RS422-converter, power supply 90 ... 230 VAC)

Supply and output cable (robot rated)

PCR 1700-5 (5m)

PCR 1700-10 (10m)

Protective housing

SGH 1800

(for ILD 1700-2/10/20/50/100/200/250VT and ILD 1700-2LL/10LL/20LL/50LL)

SGH 2200-200 (for ILD 1700-40/500/750)

SGxF 1800

(option with compressed air clean setup)

SGxF 2200-200

(option with compressed air clean setup)

External trigger

Triggerbox 1700 (Electronics for triggering optoNCDT 1700 sensors. Acceptable trigger levels from +2.4VDC to +24VDC, L/W/H 98x64x34mm)

Accessories**optoNCDT 2200(LL) / 2220(LL) /****1710-50 / 2210**Supply and output cable (drag chain rated)

PC 1800-3 (3m)

PC 1800-8 (8m)

PC2200-3/10/RS485 (3m, RS 485 for use with interface card IF2008)

PC 2200-3/3/RS422 (3m, for IF2008/RS422/USB-converter)

Sensor cable extension (drag chain rated)

CE 1800-3 (3m)

CE 1800-8 (8m)

Protective housing

(only for series 2200, 2200LL, 2220, 2220LL)

SGx 1800 (for ILD 2200-2/10/20/50/100,

ILD 2200-2LL/10LL/20LL/50LL,

ILD 2220-2/10/20/50/100,

ILD 2220-2LL/10LL/20LL/50LL)

SGH 2200-200

(for ILD 2200-40/200, ILD 2220-200)

SGxF 1800 (option with compressed air clean setup)

SGxF 2200-200 (option with compressed air clean setup)

Accessories optoNCDT 2300Supply and output cable

PC2300-0.5Y (Connecting cable to PC or SPS; for operation a PC2300-3/SUB-D will be required)

PC2300-3/SUB-D (3m; for operation a PC2300-0.5Y will be required)

PC2300-3/CSP (3m, connecting cable ILD2300 and CSP2008)

PC2300-10/CSP (10m, connecting cable ILD2300 and CSP2008)

PC2300-15/CSP (15m, connecting cable ILD2300 and CSP2008)

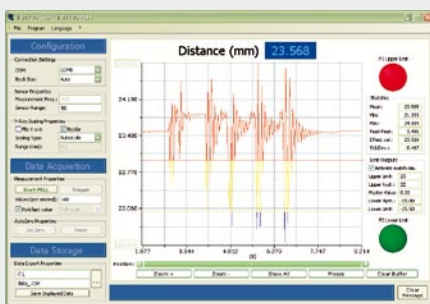
PC2300-3/IF2008 (3m, interface and supply cable)

PC2300-3/OE (3m)

PC2300-6/OE (6m)

PC2300-9/OE (9m)

PC2300-15/OE (15m)



Setup and configuration software

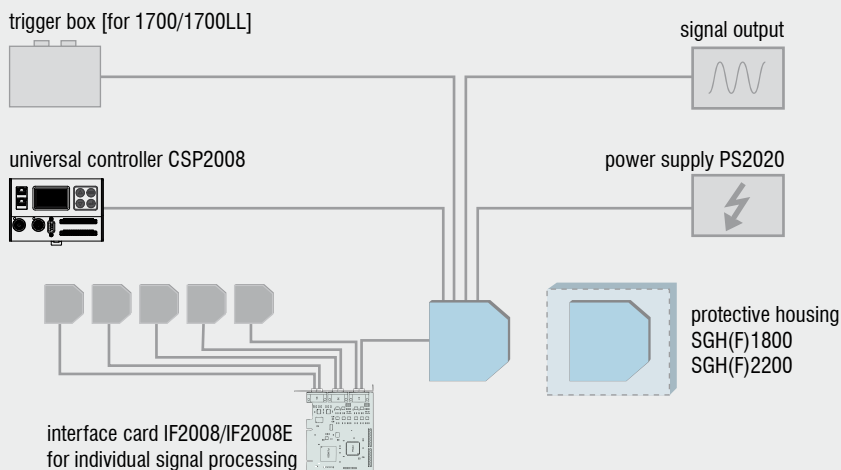
ILD Tools is the software included for easy sensor configuration. All the settings can be implemented conveniently via a Windows user interface on the PC. The sensor parameters are sent to the sensor via the serial port and can also be saved if required. ILD Tools also includes a module which can display and save measurement results. The link to the PC is made via the sensor cable with a USB converter. [available for all series except 1302 and 1607]

Driver support for customer software

For the optNCDT sensors documented DLL drivers are available free of charge, which enables easy integration of the sensors into existing software.

Software download free of charge from

www.micro-epsilon.com/download



Protective housing for harsh environment

To protect the laser sensors in extreme environments individual protective housings are available for all sensor models. Three options for the protective housing are offered.

Option SGH:

Completely enclosed housing with an integrated front window, where the sensor measures through the window. The water resistant housing (IP68) provides protection against aggressive solvents and detergents.

Option SGHF:

The SGHF version offers optimum protection for the sensor with integrated compressed air cooling and provides protection against fluids.

Option SGL:

Protective housing with open slot for air purging of the measurement gap and cooling purpose.



Dimensions

SGx 16x7/20: 74x80x58mm for
ILD 16x7-2/4/10/20

SGx 16x7/200: 125x80x58mm for
ILD16x7-50/100/200

SGx 1800: 140x140x71 mm for
ILD 1302 and ILD 1402
ILD 1700-2/10/20/50/100/200/250VT,
ILD 1700-2LL/10LL/20LL/50LL,
ILD 2200-2/10/20/50/100,
ILD 2200-2LL/10LL/20LL/50LL,
ILD 2220-2/10/20/50/100,
ILD 2220-2LL/10LL/20LL/50LL

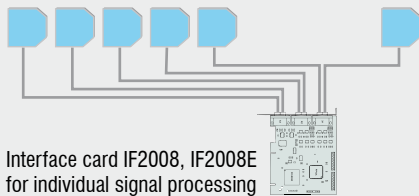
SGx 2200: 140x180x71 mm for
ILD 1700-40/500/750,
ILD 2200-40/200,
ILD 2220-200

IF2008 - PCI interface card

The IF 2008 interface card is designed for installation in PCs and enables the synchronous capture of 4 digital sensor signals and 2 encoders. The absolutely synchronous data acquisition plays an important role particularly for planarity or thickness measurement tasks. The data are stored in a FIFO memory in order to enable resource-saving processing in the PC in blocks.

Particular Benefits

- 4x digital signals and two encoders with basic printed circuit board
- Additional expansion board for a total of 6x digital signals, 2x encoder and 2x analogue signals and 8x I/O Signals
- FIFO data memory
- Synchronous data acquisition

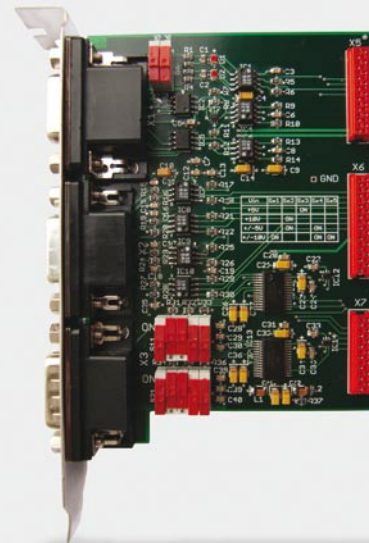


IF2008E - Expansion board

The IF 2008E expansion board is designed for installation in PCs and enables the synchronous capture of 2 digital sensor signals and 2 encoders as well as 8 I/O-Signals. The expansion board is connected to the basis board IF2008. The absolutely synchronous data acquisition plays an important role particularly for planarity or thickness measurement tasks.

Particular Benefits

- Two digital signals, two analogue signals and 8 I/O signals
- Overall with IF2008: 6 digital signals, 2 encoders and 2 analogue signals and 8 I/O Signals
- FIFO data memory
- Synchronous data acquisition



CSP2008 - Universal controller

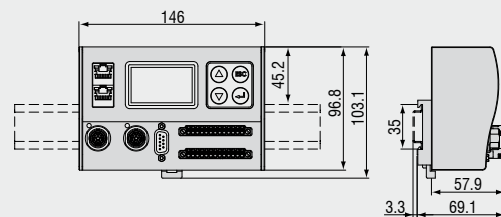
The CSP2008 controller can be used to process two digital or analogue input signals of almost all Micro-Epsilon displacement sensors (2x internal plus 4x external via Ethercat modules from Beckhoff). Ethercat can also be used as an external interface (master) for connecting further sensors and I/O modules. The controller has a high luminance display so that measured values can be easily read, even from a long distance.

Features

- Real-time processing of input and output signals at upto 100kHz (user selectable)
- Unique user interface for the configuration of the controller via Ethernet on a PC or laptop. All user selectable functions of the controller and the measured values can be viewed, displayed and stored in real time via your own web browser without installing any 3rd part software
- Simple sensor connection with automatic sensor recognition, configuration of the sensor using buttons and display on controller or via laptop
- Modular system upgradable with additional I/O modules for customer-specific requirements. The internal communication between I/O components using Ethercat connection (CSP 2008 acts as master)
- Simple mounting using DIN rail TS 35
- Extremely flexible and powerful functionality; function modules can be combined in many ways. Application example:



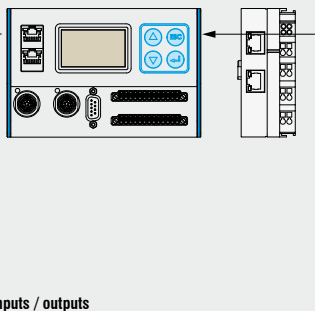
Universal controller with DIN rail TS 35
(dimensions not to scale)



System setup

Sensors via RS422

optoNCDT 1402
optoNCDT 1700
optoNCDT 2200/2220
optoNCDT 2300
optoCONTROL 2500
optoCONTROL 2600
confocalDT



Beckhoff modules for extended inputs / outputs

EK1100 (EtherCat bus coupler)
EL2004 (4 channel digital output terminal 24VDC)
EL4132 (2 channel analogue output terminal for -10...10V, 16Bit)
EL1012/EL1014/EL1018 (2 / 4 / 8 channel digital output terminal for 24V DC)
EL3161/EL3162 (1 / 2 channel analogue output terminal for 0...10V, 16Bit)
EL3141/EL3142 (1 / 2 channel analogue output terminal for 0...20mA, 16Bit)
EL4112 (2 channel analogue output terminal for 0...20mA, 16Bit)
RS422 Extension terminal for CSP2008

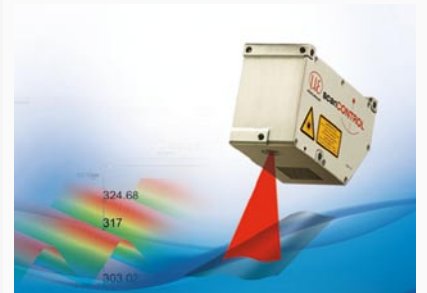
High performance sensors made by Micro-Epsilon



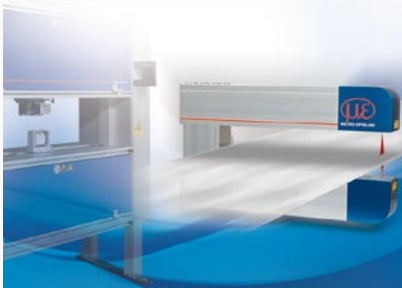
Sensors and systems for displacement and position



Sensors and measurement devices for non-contact temperature measurement



2D/3D profile sensors (laser scanner)



Measurement and inspection systems for quality assurance



Optical micrometers, fiber optic sensors and optical fibers



Color recognition sensors, LED analyzers and color online spectrometer