



Actual Product Size Shown



Product Features

Standard, Route-Based Sensor

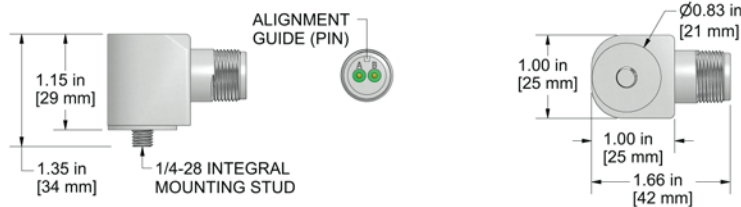
Excellent Sensor for Trending

- Specifically Designed to Use with MH214-3A Magnet
- Comfortable Ergonomic Design Makes Data Collection Easy
- ± 50 g, Peak Dynamic Range

AC116-1A

2 Pin Connector

Connector Pin	Polarity
A	(+) Signal / Power
B	(-) Common



Specifications	Standard	Metric
Part Number	AC116	
Sensitivity ($\pm 10\%$)	100 mV/g	
Frequency Response (± 3 dB)	30-900,000 CPM	0,5-15000 Hz
Frequency Response ($\pm 10\%$)	120-600,000 CPM	2,0-10000 Hz
Dynamic Range	± 50 g, peak	
Electrical		
Settling Time	<2.5 seconds	
Voltage Source	18-30 VDC	
Constant Current Excitation	2-10 mA	
Spectral Noise @ 10 Hz	14 μ g/ \sqrt Hz	
Spectral Noise @ 100 Hz	2.3 μ g/ \sqrt Hz	
Spectral Noise @ 1000 Hz	2 μ g/ \sqrt Hz	
Output Impedance	<100 ohm	
Bias Output Voltage	10-14 VDC	
Case Isolation	>10 ⁹ ohm	

Specifications	Standard	Metric
Environmental		
Temperature Range	-58 to 250° F	-50 to 121°C
Maximum Shock Protection	5,000 g, peak	
Electromagnetic Sensitivity	CE	
Sealing	Welded, Hermetic	
Physical		
Sensing Element	PZT Ceramic	
Sensing Structure	Shear Mode	
Weight	4.4 oz	124 grams
Case Material	316L Stainless Steel	
Mounting	1/4-28 Integral Stud	
Connector (non-integral)	2 Pin MIL-C-5015	
Resonant Frequency	1,320,000 CPM	22000 Hz
Mounting Torque	2 to 5 ft. lbs.	2,7 to 6,8 Nm
Calibration Certificate	CA10	

Ordering Information

Standard	AC116-1A (1/4-28 Integral Stud)



AC184 Series

Multi-Purpose Accelerometer, M8 Captive Bolt, Side Exit Connector/Cable, 100 mV/g

SECTION 1 - VIBRATION SENSORS
Accelerometers



Actual Product Size Shown



M8 Captive Bolt

Product Features

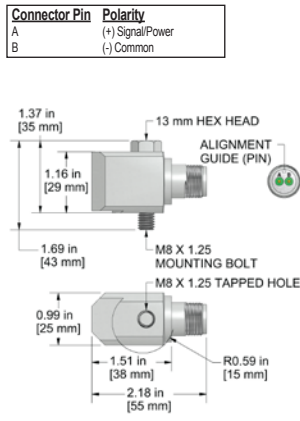
CTC's Most Popular Side Exit Sensor, Now With M8 Mounting!

High Performance in a Low Cost Sensor

- Standard 2 Pin MIL Connection
- Perfect for M8 Applications
- Affordably Priced

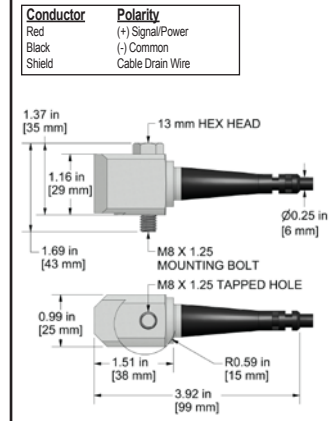
AC184-1A

2 Pin Connector



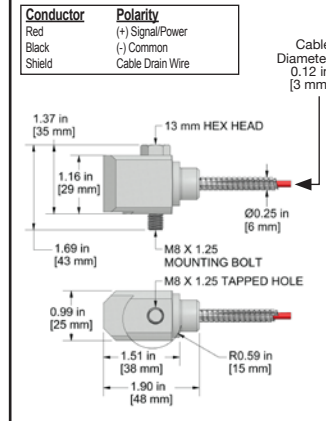
AC184-2C

Integral Cable



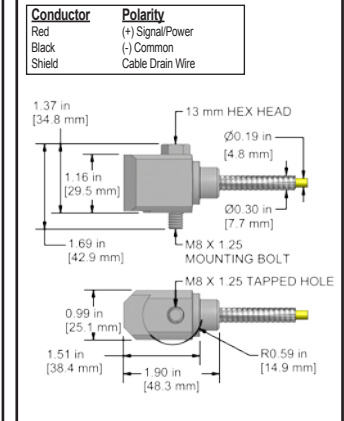
AC184-3C

Armored Integral Cable



AC184-6C

Heavy Duty Armored Integral Cable



Specifications	Standard	Metric
Part Number	AC184	M/AC184
Sensitivity (±10%)	100 mV/g	
Frequency Response (±3dB)	30-600,000 CPM	0,5-10000 Hz
Frequency Response (±10%)	120-300,000 CPM	2,0-5000 Hz
Dynamic Range	± 50 g, peak	
Electrical		
Settling Time	<2.5 seconds	
Voltage Source	18-30 VDC	
Constant Current Excitation	2-10 mA	
Spectral Noise @ 10 Hz	14 µg/√Hz	
Spectral Noise @ 100 Hz	2.3 µg/√Hz	
Spectral Noise @ 1000 Hz	2 µg/√Hz	
Output Impedance	<100 ohm	
Bias Output Voltage	10-14 VDC	
Case Isolation	>10 ⁹ ohm	

Specifications	Standard	Metric
Environmental		
Temperature Range	-58 to 250° F	-50 to 121°C
Maximum Shock Protection	5,000 g, peak	
Electromagnetic Sensitivity	CE	
Sealing	Welded, Hermetic	
Submersible Depth (AC184-2C/3C)	200 ft.	60 m
Physical		
Sensing Element	PZT Ceramic	
Sensing Structure	Shear Mode	
Weight	6 oz	170 grams
Case Material	316L Stainless Steel	
Mounting	M8	
Connector (non-integral)	2 Pin MIL-C-5015	
Resonant Frequency	1,200,000 CPM	20000 Hz
Mounting Torque	2 to 5 ft. lbs.	2,7 to 6,8 Nm
Mounting Hardware	M8 Captive Bolt	M8 Captive Bolt
Calibration Certificate	CA10	

Ordering Information

Standard	AC184-1A (1/4-28 Captive Bolt)	AC184-2C - / [] - [] (1/4-28 Captive Bolt)	AC184-3C - / [] / [] - [] (1/4-28 Captive Bolt)	AC184-6C - / [] / [] - [] (1/4-28 Captive Bolt)
Metric	M/AC184-1A (M6x1 Captive Bolt)	M/AC184-2C - / [] - [] (M6x1 Captive Bolt)	M/AC184-3C - / [] / [] - [] (M6x1 Captive Bolt)	M/AC184-6C - / [] / [] - [] (M6x1 Captive Bolt)

Cable Termination Options: E F Z

Backed by our Unconditional Lifetime Warranty

www.ctconline.com



AC216 Series

Premium Series, Magnet Mount Accelerometer, Side Exit Connector, 100 mV/g



Actual Product Size Shown



Product Features

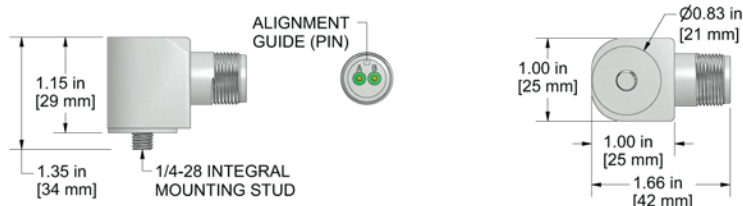
Premium Route-Based Sensor
High Performance at a Reasonable Price

- Specifically Designed to Use with MH214-3A Magnet
- Comfortable Ergonomic Design Makes Data Collection Easy
- ± 80 g, Peak Dynamic Range, $\pm 5\%$ Sensitivity

AC216-1A

2 Pin Connector

Connector Pin	Polarity
A	(+) Signal / Power
B	(-) Common



Specifications	Standard	Metric
Part Number	AC216	
Sensitivity ($\pm 5\%$)	100 mV/g	
Frequency Response (± 3 dB)	30-900,000 CPM	0,5-15000 Hz
Frequency Response ($\pm 10\%$)	60-600,000 CPM	1,0-10000 Hz
Frequency Response ($\pm 5\%$)	120-420,000 CPM	2,0-7000 Hz
Dynamic Range	± 80 g, peak	
Electrical		
Settling Time	<2.5 seconds	
Voltage Source	18-30 VDC	
Constant Current Excitation	2-10 mA	
Spectral Noise @ 10 Hz	8 μ g/ \sqrt Hz	
Spectral Noise @ 100 Hz	0.82 μ g/ \sqrt Hz	
Spectral Noise @ 1000 Hz	0.3 μ g/ \sqrt Hz	
Output Impedance	<100 ohm	
Bias Output Voltage	10-14 VDC	
Case Isolation	>10 ⁸ ohm	

Specifications	Standard	Metric
Environmental		
Temperature Range	-58 to 250° F	-50 to 121°C
Maximum Shock Protection	5,000 g, peak	
Electromagnetic Sensitivity	CE	
Sealing	Welded, Hermetic	
Physical		
Sensing Element	PZT Ceramic	
Sensing Structure	Shear Mode	
Weight	4.4 oz	124 grams
Case Material	316L Stainless Steel	
Mounting	1/4-28	
Connector (non-integral)	2 Pin MIL-C-5015	
Resonant Frequency	1,380,000 CPM	23000 Hz
Mounting Torque	2 to 5 ft. lbs.	2,7 to 6,8 Nm
Mounting Hardware	1/4-28 Stud	M6x1 Adapter Stud
Calibration Certificate	CA10	

Ordering Information

Standard	AC216-1A (1/4-28 Stud)
----------	---------------------------



VIBRATION ANALYSIS HARDWARE

Backed by our Unconditional Lifetime Warranty