

AC931 Series

Low Capacitance, Class I, Division 2/Zone 2 Accelerometer, For Use In "Non-Arcing, Non-Sparking" Environments, Top Exit Connector/Cable, 10 mV/g

SECTION 1 - VIBRATION SENSORS
Low Capacitance Accelerometers



Actual Product Size Shown



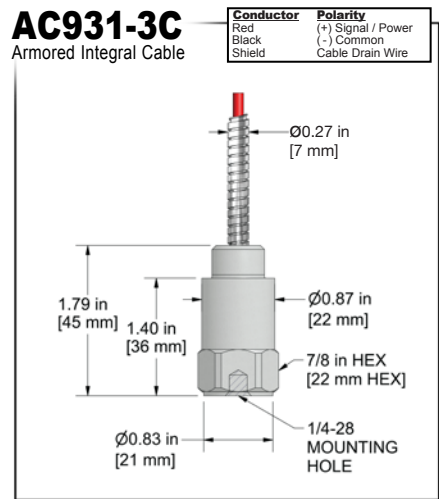
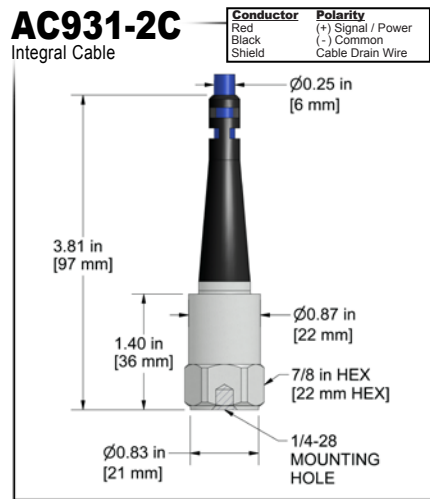
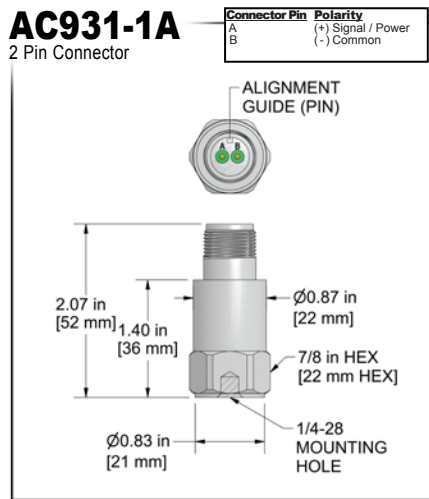
Must Use "Class I, Division 2"
CB190 Cable and D2Q Connectors

Product Features

Class I, Division 2/Zone 2 Rating

Helps to Detect Bearing Defects and Other High Frequency Faults

- 10 mV/g Sensitivity
- 1,0 - 15000 Hz (60 - 900,000 CPM) Frequency Response
- ±500 g, Peak Dynamic Range



Specifications	Standard	Metric
Part Number	AC931	M/AC931
Sensitivity (±10%)	10 mV/g	
Frequency Response (±3dB)	60-900,000 CPM	1,0-15000 Hz
Frequency Response (±10%)	120-360,000 CPM	2,0-6000 Hz
Dynamic Range	± 500 g, peak	
Electrical		
Settling Time	<3 Seconds	
Voltage Source	18-30 VDC	
Constant Current Excitation	2-4 mA	
Spectral Noise @ 10 Hz	100 µg/√Hz	
Spectral Noise @ 100 Hz	90 µg/√Hz	
Spectral Noise @ 1000 Hz	85 µg/√Hz	
Output Impedance	<100 ohm	
Bias Output Voltage	10-14 VDC	
Case Isolation	>10 ⁸ ohm	

Specifications	Standard	Metric
Environmental		
Temperature Range	-40° to 250°F	-40° to 121°C
Maximum Shock Protection	5,000 g, peak	
Electromagnetic Sensitivity	CE	
Sealing	Welded, Hermetic	
Physical		
Sensing Element	PZT Ceramic	
Sensing Structure	Shear Mode	
Weight	3.2 oz	91 grams
Case Material	316L Stainless Steel	
Mounting	1/4-28	
Connector (non-integral)	2 Pin MIL-C-5015	
Resonant Frequency	1,380,000 CPM	23000 Hz
Mounting Torque	2 to 5 ft. lbs.	2,7 to 6,8 Nm
Mounting Hardware	1/4-28 Stud	M6x1 Adapter Stud
Calibration Certificate	CA10	

Ordering Information

Standard	AC931-1A (1/4-28 Stud)	AC931-2C - / [] [] [] - [] (length in feet) (termination)	AC931-3C - / [] [] [] / [] [] [] - [] (1/4-28 Stud) (maximum armor length 100 ft.) (cable length in feet) (termination)
Metric	M/AC931-1A (M6x1 Adapter Stud)	M/AC931-2C - / [] [] [] - [] (length in feet) (termination) [] [] [] M - [] (length in meters) (termination)	M/AC931-3C - / [] [] [] / [] [] [] - [] (M6x1 Adapter Stud) (maximum armor length 100 ft.) (cable length in feet) (termination) [] [] [] M / [] [] [] M - [] (maximum armor length 30 m) (cable length in meters) (termination)

Read Before Purchasing
Important information on
Regulatory Approvals and Requirements
on Page 74

Cable Termination Options: L **Z**



VIBRATION ANALYSIS HARDWARE

Backed by our Unconditional Lifetime Warranty

AC933 Series

Low Capacitance, Class I, Division 2/Zone 2 Accelerometer, For Use In "Non-Arcing, Non-Sparking" Environments, Top Exit Connector/Cable, 50 mV/g

SECTION 1 - VIBRATION SENSORS
Low Capacitance Accelerometers



Actual Product Size Shown

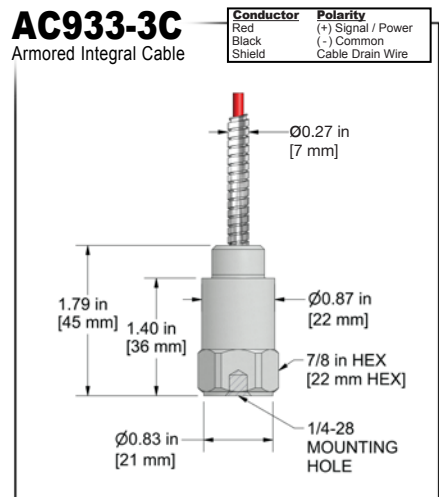
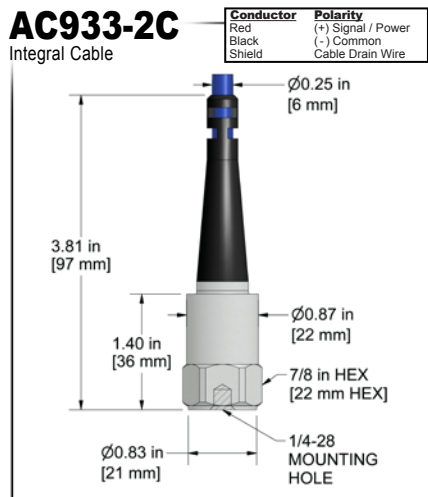
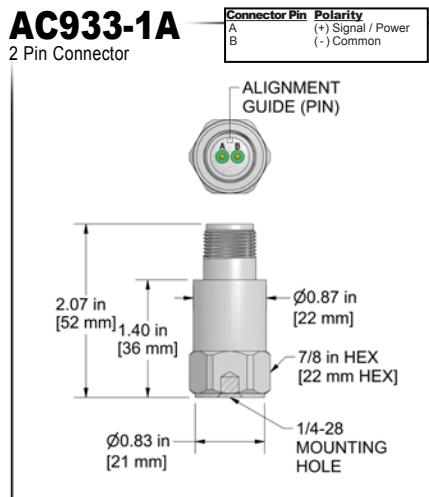


Must Use "Class I, Division 2"
CB190 Cable and D2Q Connectors

Product Features

Class I, Division 2/Zone 2 Rating
Excellent for Higher g Applications

- ± 100 g, Peak Dynamic Range
- 50 mV/g, $\pm 10\%$ Sensitivity
- 0,8 - 15000 Hz (48 - 900,000 CPM) Frequency Response



Specifications	Standard	Metric
Part Number	AC933	M/AC933
Sensitivity ($\pm 10\%$)	50 mV/g	
Frequency Response (± 3 dB)	48-900,000 CPM	0,8-15000 Hz
Frequency Response ($\pm 10\%$)	90-390,000 CPM	1,5-6500 Hz
Dynamic Range	± 100 g, peak	
Electrical		
Settling Time	<3 Seconds	
Voltage Source	18-28 VDC	
Constant Current Excitation	2-4 mA	
Spectral Noise @ 10 Hz	30 μ g $\sqrt{}$ /Hz	
Spectral Noise @ 100 Hz	25 μ g $\sqrt{}$ /Hz	
Spectral Noise @ 1000 Hz	25 μ g $\sqrt{}$ /Hz	
Output Impedance	<100 ohm	
Bias Output Voltage	10-14 VDC	
Case Isolation	>10 ⁸ ohm	

Specifications	Standard	Metric
Environmental		
Temperature Range	-40° to 250°F	-40° to 121°C
Maximum Shock Protection	5,000 g, peak	
Electromagnetic Sensitivity	CE	
Sealing	Welded, Hermetic	
Physical		
Sensing Element	PZT Ceramic	
Sensing Structure	Shear Mode	
Weight	3.2 oz	91 grams
Case Material	316L Stainless Steel	
Mounting	1/4-28	
Connector (non-integral)	2 Pin MIL-C-5015	
Resonant Frequency	1,380,000 CPM	23000 Hz
Mounting Torque	2 to 5 ft. lbs.	2,7 to 6,8 Nm
Mounting Hardware	1/4-28 Stud	M6x1 Adapter Stud
Calibration Certificate	CA10	

Ordering Information

Standard	AC933-1A (1/4-28 Stud)	AC933-2C (1/4-28 Stud)	- / <input type="text"/> - <input type="text"/> (length in feet) (termination)	AC933-3C (1/4-28 Stud)	- / <input type="text"/> / <input type="text"/> - <input type="text"/> (maximum armor length 100 ft.) (cable length in feet) (termination)
Metric	M/AC933-1A (M6x1 Adapter Stud)	M/AC933-2C (M6x1 Adapter Stud)	- / <input type="text"/> - <input type="text"/> (length in feet) (termination)	M/AC933-3C (M6x1 Adapter Stud)	- / <input type="text"/> / <input type="text"/> - <input type="text"/> (maximum armor length 100 ft.) (cable length in feet) (termination)
			<input type="text"/> M - <input type="text"/> (length in meters) (termination)		<input type="text"/> M / <input type="text"/> M - <input type="text"/> (maximum armor length 30 m) (cable length in meters) (termination)



Cable Termination Options: L Z

Backed by our Unconditional Lifetime Warranty

www.ctconline.com



AC934 Series

Low Capacitance, Class I, Division 2/Zone 2 Accelerometer, For Use In "Non-Arcing, Non-Sparking" Environments, Side Exit Connector/Cable, 50 mV/g

SECTION 1 - VIBRATION SENSORS
Low Capacitance Accelerometers

Must Use "Class I, Division 2"
CB190 Cable and D2Q Connectors

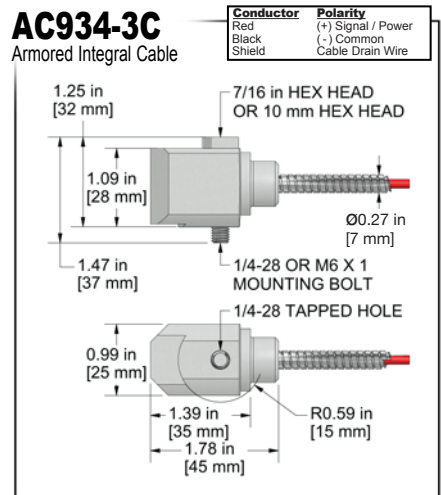
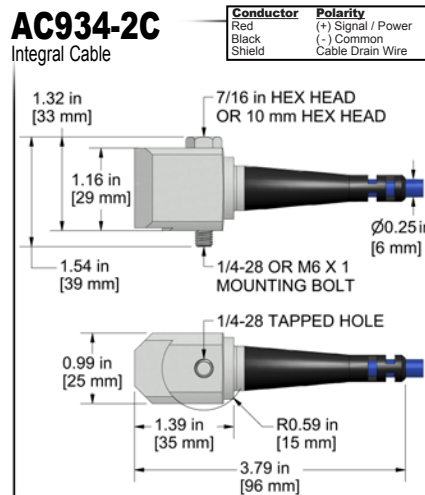
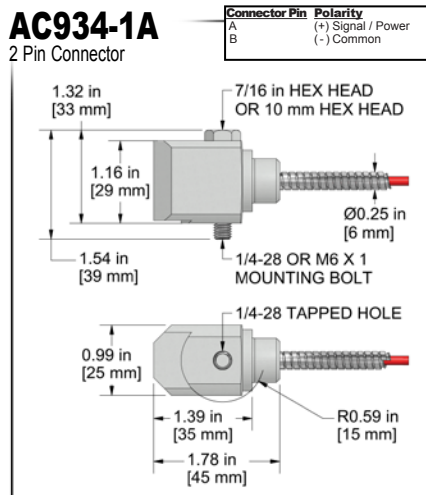
Product Features

Class I, Division 2/Zone 2 Rating
Excellent for Higher g Applications

- ± 100 g, Peak Dynamic Range
- 50 mV/g, $\pm 10\%$ Sensitivity
- 0,8 - 8600 Hz (48 - 516,000 CPM) Frequency Response



Actual Product Size Shown



Specifications	Standard	Metric
Part Number	AC934	M/AC934
Sensitivity ($\pm 10\%$)	50 mV/g	
Frequency Response (± 3 dB)	48-516,000 CPM	0,8-8600 Hz
Frequency Response ($\pm 10\%$)	90-300,000 CPM	1,5-5000 Hz
Dynamic Range	± 100 g, peak	
Electrical		
Settling Time	<3 Seconds	
Voltage Source	18-28 VDC	
Constant Current Excitation	2-4 mA	
Spectral Noise @ 10 Hz	35 μ g/√Hz	
Spectral Noise @ 100 Hz	25 μ g/√Hz	
Spectral Noise @ 1000 Hz	25 μ g/√Hz	
Output Impedance	<100 ohm	
Bias Output Voltage	10-14 VDC	
Case Isolation	>10 ⁹ ohm	

Specifications	Standard	Metric
Environmental		
Temperature Range	-40° to 250°F	-40° to 121°C
Maximum Shock Protection	5,000 g, peak	
Electromagnetic Sensitivity	CE	
Sealing	Welded, Hermetic	
Physical		
Sensing Element	PZT Ceramic	
Sensing Structure	Shear Mode	
Weight	5.3 oz	151 grams
Case Material	316L Stainless Steel	
Mounting	1/4-28	
Connector (non-integral)	2 Pin MIL-C-5015	
Resonant Frequency	1,260,000 CPM	21000 Hz
Mounting Torque	2 to 5 ft. lbs.	2,7 to 6,8 Nm
Mounting Hardware	1/4-28 Captive Bolt	M6x1 Captive Bolt
Calibration Certificate	CA10	

Ordering Information

Standard	AC934-1A (1/4-28 Captive Bolt)	AC934-2C - / [] - [] (1/4-28 Captive Bolt) (length in feet) (termination)	AC934-3C - / [] / [] - [] (1/4-28 Captive Bolt) (maximum armor length 100 ft.) (cable length in feet) (termination)
Metric	M/AC934-1A (M6x1 Captive Bolt)	M/AC934-2C - / [] - [] (M6x1 Captive Bolt) (length in feet) (termination)	M/AC934-3C - / [] / [] - [] (M6x1 Captive Bolt) (maximum armor length 100 ft.) (cable length in feet) (termination)
		[] M - [] (length in meters) (termination)	[] M / [] M - [] (maximum armor length 30 m) (cable length in meters) (termination)

Read Before Purchasing
Important information on
Regulatory Approvals and Requirements
on Page 74



VIBRATION ANALYSIS HARDWARE

Backed by our Unconditional Lifetime Warranty

AC935 Series

Low Capacitance, Class I, Division 2/Zone 2 Accelerometer, For Use In "Non-Arcing, Non-Sparking" Environments, Top Exit Connector/Cable, 100 mV/g

SECTION I - VIBRATION SENSORS
Low Capacitance Accelerometers



Actual Product Size Shown

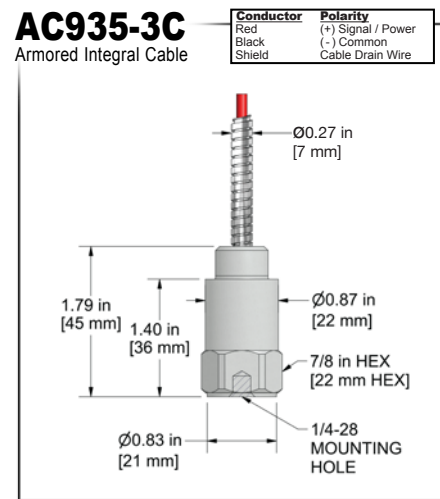
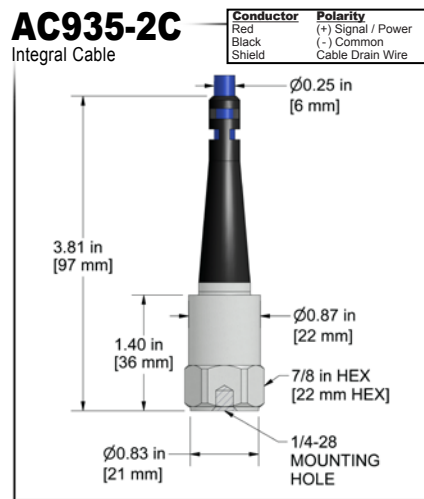
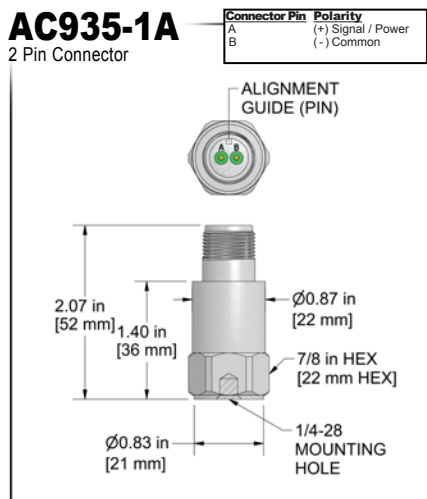


Must Use "Class I, Division 2"
CB190 Cable and D2Q Connectors

Product Features

Class I, Division 2/Zone 2 Rating
Excellent for Higher g Applications

- ± 50 g, Peak Dynamic Range
- 100 mV/g, $\pm 10\%$ Sensitivity
- 0,5 - 15000 Hz (30 - 900,000 CPM) Frequency Response



Specifications	Standard	Metric
Part Number	AC935	M/AC935
Sensitivity ($\pm 10\%$)	100 mV/g	
Frequency Response (± 3 dB)	30-900,000 CPM	0,5-15000 Hz
Frequency Response ($\pm 10\%$)	60-600,000 CPM	1,0-10000 Hz
Dynamic Range	± 50 g, peak	
Electrical		
Settling Time	<3 Seconds	
Voltage Source	18-28 VDC	
Constant Current Excitation	2-4 mA	
Spectral Noise @ 10 Hz	30 μ g/√Hz	
Spectral Noise @ 100 Hz	19 μ g/√Hz	
Spectral Noise @ 1000 Hz	15 μ g/√Hz	
Output Impedance	<100 ohm	
Bias Output Voltage	10-14 VDC	
Case Isolation	>10 ⁹ ohm	

Specifications	Standard	Metric
Environmental		
Temperature Range	-40° to 250°F	-40° to 121°C
Maximum Shock Protection	5,000 g, peak	
Electromagnetic Sensitivity	CE	
Sealing	Welded, Hermetic	
Physical		
Sensing Element	PZT Ceramic	
Sensing Structure	Shear Mode	
Weight	3.2 oz	91 grams
Case Material	316L Stainless Steel	
Mounting	1/4-28	
Connector (non-integral)	2 Pin MIL-C-5015	
Resonant Frequency	1,380,000 CPM	23000 Hz
Mounting Torque	2 to 5 ft. lbs.	2,7 to 6,8 Nm
Mounting Hardware	1/4-28 Stud	M6x1 Adapter Stud
Calibration Certificate	CA10	

Ordering Information

Standard	AC935-1A (1/4-28 Stud)	AC935-2C (1/4-28 Stud)	- / <input type="text"/> - <input type="text"/> (length in feet) (termination)	AC935-3C (1/4-28 Stud)	- / <input type="text"/> / <input type="text"/> - <input type="text"/> (maximum armor length 100 ft.) (cable length in feet) (termination)
Metric	M/AC935-1A (M6x1 Adapter Stud)	M/AC935-2C (M6x1 Adapter Stud)	- / <input type="text"/> - <input type="text"/> (length in feet) (termination)	M/AC935-3C (M6x1 Adapter Stud)	- / <input type="text"/> / <input type="text"/> - <input type="text"/> (maximum armor length 100 ft.) (cable length in feet) (termination)
			<input type="text"/> M - <input type="text"/> (length in meters) (termination)		<input type="text"/> M / <input type="text"/> M - <input type="text"/> (maximum armor length 30 m) (cable length in meters) (termination)

Read Before Purchasing
Important information on
Regulatory Approvals and Requirements
on Page 74

Cable Termination Options: L Z

Backed by our Unconditional Lifetime Warranty

www.ctconline.com



AC936 Series

Low Capacitance, Class I, Division 2/Zone 2 Accelerometer, For Use In "Non-Arcing, Non-Sparking" Environments, Side Exit Connector/Cable, 100 mV/g

SECTION 1 - VIBRATION SENSORS
Low Capacitance Accelerometers

Must Use "Class I, Division 2"
CB190 Cable and D2Q Connectors

Product Features

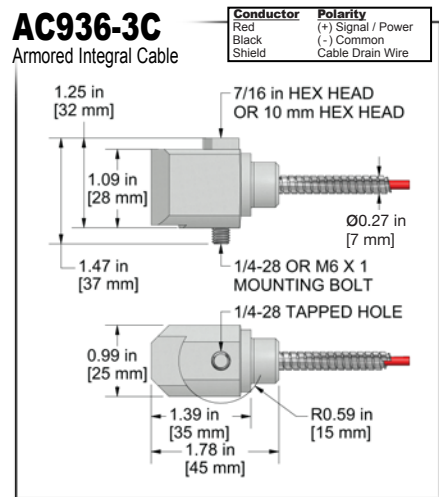
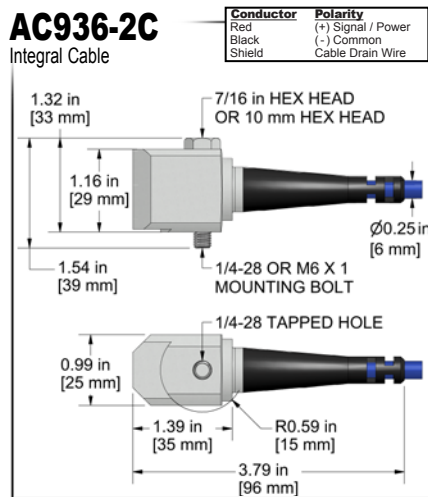
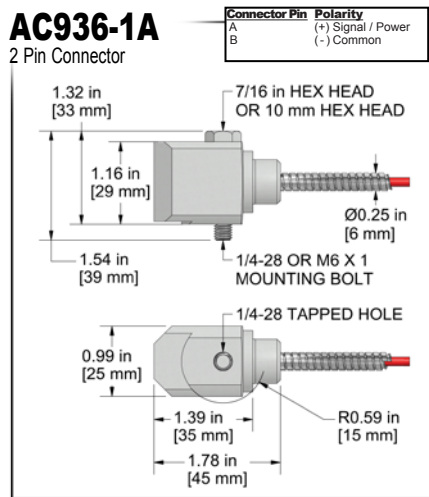
Class I, Division 2/Zone 2 Rating
Excellent for Higher g Applications



Actual Product Size Shown



- ± 50 g, Peak Dynamic Range
- 100 mV/g, $\pm 10\%$ Sensitivity
- 0,5 - 8600 Hz (30 - 516,000 CPM) Frequency Response



Specifications	Standard	Metric
Part Number	AC936	M/AC936
Sensitivity ($\pm 10\%$)	100 mV/g	
Frequency Response (± 3 dB)	30-516,000 CPM	0,5-8600 Hz
Frequency Response ($\pm 10\%$)	60-360,000 CPM	1,0-6000 Hz
Dynamic Range	± 50 g, peak	
Electrical		
Settling Time	<3 Seconds	
Voltage Source	18-28 VDC	
Constant Current Excitation	2-4 mA	
Spectral Noise @ 10 Hz	30 μ g/√Hz	
Spectral Noise @ 100 Hz	19 μ g/√Hz	
Spectral Noise @ 1000 Hz	15 μ g/√Hz	
Output Impedance	<100 ohm	
Bias Output Voltage	10-14 VDC	
Case Isolation	>10 ⁹ ohm	

Specifications	Standard	Metric
Environmental		
Temperature Range	-40° to 250°F	-40° to 121°C
Maximum Shock Protection	5,000 g, peak	
Electromagnetic Sensitivity	CE	
Sealing	Welded, Hermetic	
Physical		
Sensing Element	PZT Ceramic	
Sensing Structure	Shear Mode	
Weight	5.3 oz	151 grams
Case Material	316L Stainless Steel	
Mounting	1/4-28	
Connector (non-integral)	2 Pin MIL-C-5015	
Resonant Frequency	1,260,000 CPM	21000 Hz
Mounting Torque	2 to 5 ft. lbs.	2,7 to 6,8 Nm
Mounting Hardware	1/4-28 Captive Bolt	M6x1 Captive Bolt
Calibration Certificate	CA10	

Ordering Information

Standard	AC936-1A (1/4-28 Captive Bolt)	AC936-2C - / [] - [] (1/4-28 Captive Bolt) (length in feet) (termination)	AC936-3C - / [] / [] - [] (1/4-28 Captive Bolt) (maximum armor length 100 ft.) (cable length in feet) (termination)
Metric	M/AC936-1A (M6x1 Captive Bolt)	M/AC936-2C - / [] - [] (M6x1 Captive Bolt) (length in feet) (termination)	M/AC936-3C - / [] / [] - [] (M6x1 Captive Bolt) (maximum armor length 100 ft.) (cable length in feet) (termination)
		[] M - [] (length in meters) (termination)	[] M / [] M - [] (maximum armor length 30 m) (cable length in meters) (termination)

Read Before Purchasing
Important information on
Regulatory Approvals and Requirements
on Page 74



Backed by our Unconditional Lifetime Warranty