

AC921 Series

Class I, Division 2/Zone 2 Accelerometer, For Use In "Non-Arcing, Non-Sparking" Environments, Top Exit Connector/Cable, 10 mV/g

SECTION 1 - VIBRATION SENSORS
Class 1, Division 2/ Zone 2 Accelerometers



Actual Product Size Shown

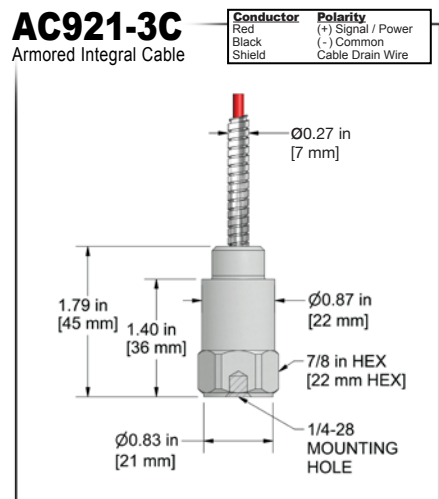
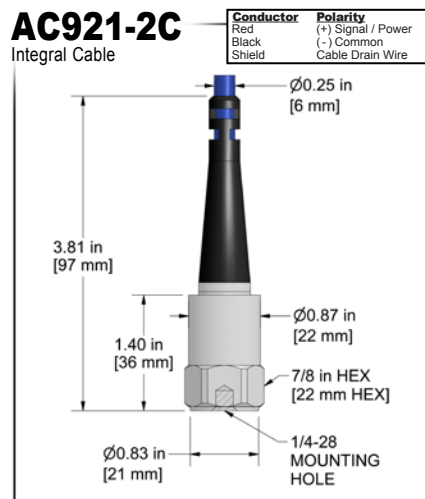
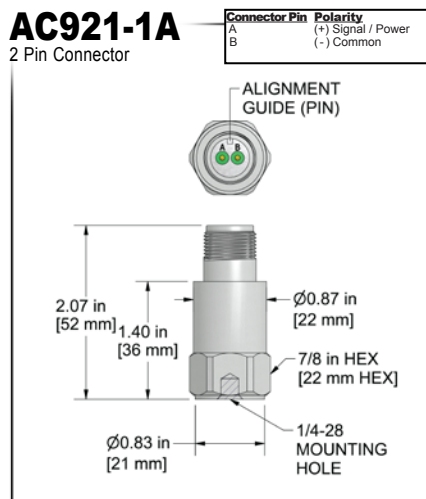


Must Use "Class I, Division 2" CB190 Cable and D2Q Connectors

Product Features

Class I, Division 2/Zone 2 Rating
Helps to Detect Bearing Defects and Other High Frequency Faults

- 10 mV/g Sensitivity
- 1,2 - 15000 Hz (72 - 900,000 CPM) Frequency Response
- ±500 g, Peak Dynamic Range



Specifications	Standard	Metric
Part Number	AC921	M/AC921
Sensitivity (±10%)	10 mV/g	
Frequency Response (±3dB)	72-900,000 CPM	1,2-15000 Hz
Frequency Response (±10%)	150-360,000 CPM	2,5-6000 Hz
Dynamic Range	± 500 g, peak	
Electrical		
Settling Time	<3 Seconds	
Voltage Source	18-30 VDC	
Constant Current Excitation	2-4 mA	
Spectral Noise @ 10 Hz	500 µg/√Hz	
Spectral Noise @ 100 Hz	65 µg/√Hz	
Spectral Noise @ 1000 Hz	11 µg/√Hz	
Output Impedance	<100 ohm	
Bias Output Voltage	10-14 VDC	
Case Isolation	>10 ⁸ ohm	

Specifications	Standard	Metric
Environmental		
Temperature Range	-58 to 250°F	-50 to 121°C
Maximum Shock Protection	5,000 g, peak	
Electromagnetic Sensitivity	CE	
Sealing	Welded, Hermetic	
Physical		
Sensing Element	PZT Ceramic	
Sensing Structure	Shear Mode	
Weight	3.2 oz	90 grams
Case Material	316L Stainless Steel	
Mounting	1/4-28	
Connector (non-integral)	2 Pin MIL-C-5015	
Resonant Frequency	1,380,000 CPM	23000 Hz
Mounting Torque	2 to 5 ft. lbs.	2,7 to 6,8 Nm
Mounting Hardware	1/4-28 Stud	M6x1 Adapter Stud
Calibration Certificate	CA10	

Ordering Information

Standard	AC921-1A (1/4-28 Stud)	AC921-2C (1/4-28 Stud)	- / [] - [] (length in feet) (termination)	AC921-3C (1/4-28 Stud)	[] / [] - [] (maximum armor length 100 ft.) (cable length in feet) (termination)
Metric	M/AC921-1A (M6x1 Adapter Stud)	M/AC921-2C (M6x1 Adapter Stud)	- / [] - [] (length in feet) (termination)	M/AC921-3C (M6x1 Adapter Stud)	- / [] / [] - [] (maximum armor length 100 ft.) (cable length in feet) (termination)
			[] M - [] (length in meters) (termination)		[] M / [] M - [] (maximum armor length 30 m) (cable length in meters) (termination)

Read Before Purchasing
Important information on
Regulatory Approvals and Requirements
on Page 54

Cable Termination Options: L **Z**



VIBRATION ANALYSIS HARDWARE

Backed by our Unconditional Lifetime Warranty

AC923 Series

Class I, Division 2/Zone 2 Accelerometer, For Use In "Non-Arcing, Non-Sparking" Environments, Top Exit Connector/Cable, 50 mV/g

SECTION 1 - VIBRATION SENSORS
Class 1, Division 2/ Zone 2 Accelerometers



Actual Product Size Shown

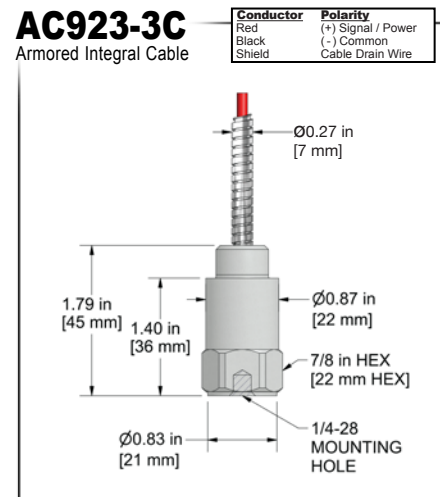
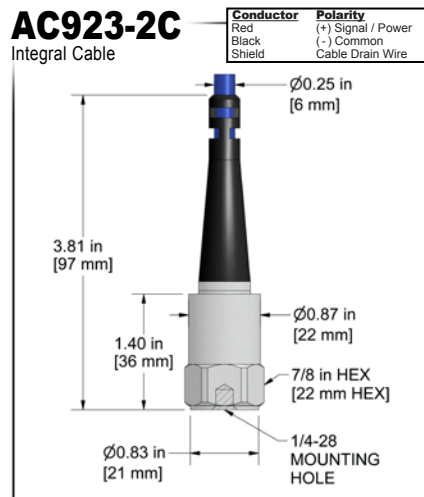
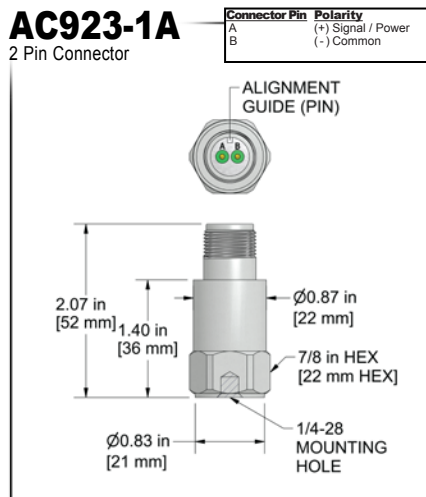


Must Use "Class I, Division 2" CB190 Cable and D2Q Connectors

Product Features

Class I, Division 2/Zone 2 Rating
Excellent for Higher g Applications

- ± 100 g, Peak Dynamic Range
- 50 mV/g, $\pm 10\%$ Sensitivity
- 1,0 - 15000 Hz (60 - 900,000 CPM) Frequency Response



Specifications	Standard	Metric
Part Number	AC923	M/AC923
Sensitivity ($\pm 10\%$)	50 mV/g	
Frequency Response (± 3 dB)	60-900,000 CPM	1,0-15000 Hz
Frequency Response ($\pm 10\%$)	120-300,000 CPM	2,0-5000 Hz
Dynamic Range	± 100 g, peak	
Electrical		
Settling Time	<3 Seconds	
Voltage Source	18-28 VDC	
Constant Current Excitation	2-4 mA	
Spectral Noise @ 10 Hz	9 μ g/ \sqrt Hz	
Spectral Noise @ 100 Hz	2 μ g/ \sqrt Hz	
Spectral Noise @ 1000 Hz	1.6 μ g/ \sqrt Hz	
Output Impedance	<100 ohm	
Bias Output Voltage	10-14 VDC	
Case Isolation	>10 ⁸ ohm	

Specifications	Standard	Metric
Environmental		
Temperature Range	-58 to 250°F	-50 to 121°C
Maximum Shock Protection	5,000 g, peak	
Electromagnetic Sensitivity	CE	
Sealing	Welded, Hermetic	
Physical		
Sensing Element	PZT Ceramic	
Sensing Structure	Shear Mode	
Weight	3.2 oz	90 grams
Case Material	316L Stainless Steel	
Mounting	1/4-28	
Connector (non-integral)	2 Pin MIL-C-5015	
Resonant Frequency	1,380,000 CPM	23000 Hz
Mounting Torque	2 to 5 ft. lbs.	2.7 to 6.8 Nm
Mounting Hardware	1/4-28 Stud	M6x1 Adapter Stud
Calibration Certificate	CA10	

Ordering Information

Standard	AC923-1A (1/4-28 Stud)	AC923-2C (1/4-28 Stud)	- / [] - [] (length in feet) (termination)	AC923-3C (1/4-28 Stud)	- / [] / [] - [] (maximum armor length 100 ft) (cable length in feet) (termination)
Metric	M/AC923-1A (M6x1 Adapter Stud)	M/AC923-2C (M6x1 Adapter Stud)	- / [] - [] (length in feet) (termination)	M/AC923-3C (M6x1 Adapter Stud)	- / [] / [] - [] (maximum armor length 100 ft) (cable length in feet) (termination)
			[] M - [] (length in meters) (termination)		[] M / [] M - [] (maximum armor length 30 m) (cable length in meters) (termination)



Read Before Purchasing
Important information on
Regulatory Approvals and Requirements
on Page 54

Cable Termination Options: L Z

Backed by our Unconditional Lifetime Warranty

www.ctconline.com



AC924 Series

Class I, Division 2/Zone 2 Accelerometer, For Use In "Non-Arcing, Non-Sparking" Environments, Side Exit Connector/Cable, 50 mV/g

**Must Use "Class I, Division 2"
CB190 Cable and D2Q Connectors**

Product Features

Class I, Division 2/Zone 2 Rating
Excellent for Higher g Applications

- ± 100 g, Peak Dynamic Range
- 50 mV/g, $\pm 10\%$ Sensitivity
- 1,0 - 8000 Hz (60 - 480,000 CPM) Frequency Response

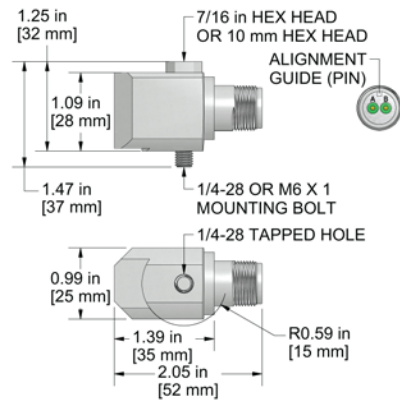


Actual Product Size Shown



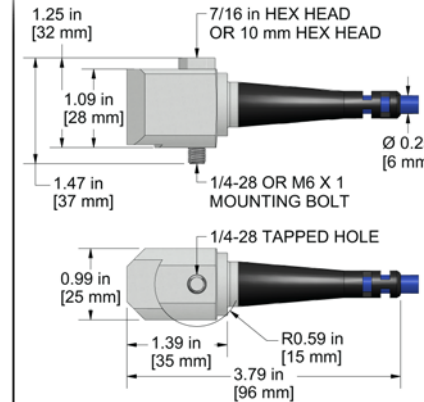
AC924-1A 2 Pin Connector

Connector Pin	Polarity
A	(+) Signal / Power
B	(-) Common



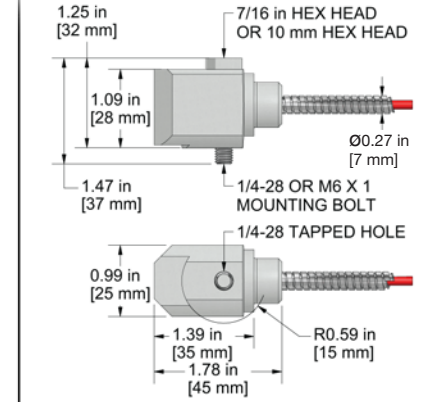
AC924-2C Integral Cable

Conductor	Polarity
Red	(+) Signal / Power
Black	(-) Common
Shield	Cable Drain Wire



AC924-3C Armored Integral Cable

Conductor	Polarity
Red	(+) Signal / Power
Black	(-) Common
Shield	Cable Drain Wire



Specifications	Standard	Metric
Part Number	AC924	M/AC924
Sensitivity ($\pm 10\%$)	50 mV/g	
Frequency Response (± 3 dB)	60-480,000 CPM	1,0-8000 Hz
Frequency Response ($\pm 10\%$)	120-180,000 CPM	2,0-3000 Hz
Dynamic Range	± 100 g, peak	
Electrical		
Settling Time	<3 Seconds	
Voltage Source	18-28 VDC	
Constant Current Excitation	2-4 mA	
Spectral Noise @ 10 Hz	9 μ g/√Hz	
Spectral Noise @ 100 Hz	2 μ g/√Hz	
Spectral Noise @ 1000 Hz	1.6 μ g/√Hz	
Output Impedance	<100 ohm	
Bias Output Voltage	10-14 VDC	
Case Isolation	>10 ⁹ ohm	

Specifications	Standard	Metric
Environmental		
Temperature Range	-58 to 250°F	-50 to 121°C
Maximum Shock Protection	5,000 g, peak	
Electromagnetic Sensitivity	CE	
Sealing	Welded, Hermetic	
Physical		
Sensing Element	PZT Ceramic	
Sensing Structure	Shear Mode	
Weight	5.3 oz	150 grams
Case Material	316L Stainless Steel	
Mounting	1/4-28	
Connector (non-integral)	2 Pin MIL-C-5015	
Resonant Frequency	1,260,000 CPM	21000 Hz
Mounting Torque	2 to 5 ft. lbs.	2,7 to 6,8 Nm
Mounting Hardware	1/4-28 Captive Bolt	M6x1 Captive Bolt
Calibration Certificate	CA10	

Ordering Information

Standard	AC924-1A (1/4-28 Captive Bolt)	AC924-2C - / [] - [] (1/4-28 Captive Bolt) (length in feet) (termination)	AC924-3C - / [] / [] - [] (1/4-28 Captive Bolt) (maximum armor length 100 ft.) (cable length in feet) (termination)
Metric	M/AC924-1A (M6x1 Captive Bolt)	M/AC924-2C - / [] - [] (M6x1 Captive Bolt) (length in feet) (termination)	M/AC924-3C - / [] / [] - [] (M6x1 Captive Bolt) (maximum armor length 100 ft.) (cable length in feet) (termination)
		[] M - [] (length in meters) (termination)	[] M / [] M - [] (maximum armor length 30 m) (cable length in meters) (termination)

Read Before Purchasing
Important information on
Regulatory Approvals and Requirements
on Page 54



Backed by our Unconditional Lifetime Warranty

AC925 Series

Class I, Division 2/Zone 2 Accelerometer, For Use In "Non-Arcing, Non-Sparking" Environments, Top Exit Connector/Cable, 100 mV/g

SECTION 1 - VIBRATION SENSORS
Class 1, Division 2/ Zone 2 Accelerometers



Actual Product Size Shown

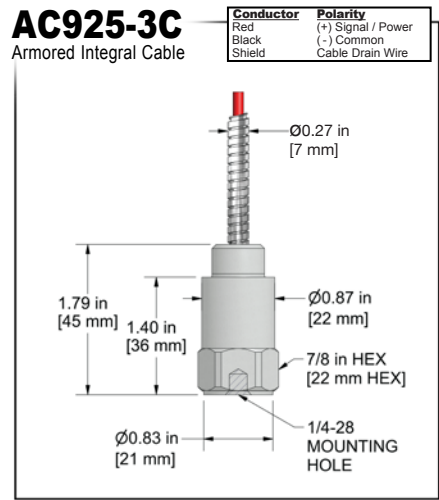
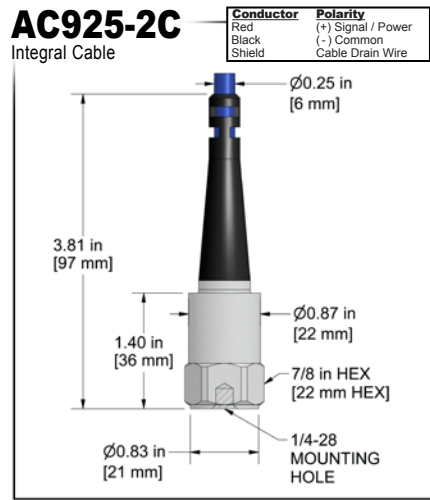
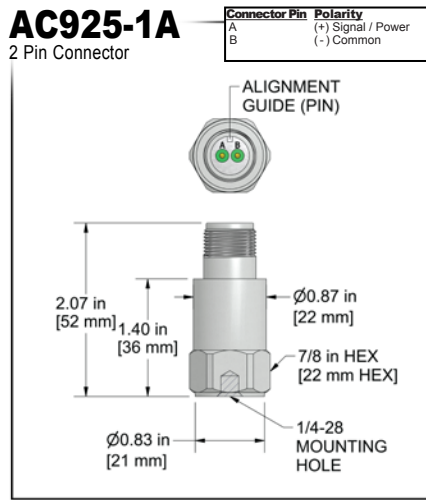


Must Use "Class I, Division 2" CB190 Cable and D2Q Connectors

Product Features

Class I, Division 2/Zone 2 Rating
Excellent for Higher g Applications

- ± 50 g, Peak Dynamic Range
- 100 mV/g, $\pm 10\%$ Sensitivity
- 0,5 - 15000 Hz (30 - 900,000 CPM) Frequency Response



Specifications	Standard	Metric
Part Number	AC925	M/AC925
Sensitivity ($\pm 10\%$)	100 mV/g	
Frequency Response (± 3 dB)	30-900,000 CPM	0,5-15000 Hz
Frequency Response ($\pm 10\%$)	60-600,000 CPM	1,0-10000 Hz
Dynamic Range	± 50 g, peak	
Electrical		
Settling Time	<3 Seconds	
Voltage Source	18-28 VDC	
Constant Current Excitation	2-4 mA	
Spectral Noise @ 10 Hz	6.5 μ g/√Hz	
Spectral Noise @ 100 Hz	2 μ g/√Hz	
Spectral Noise @ 1000 Hz	1.8 μ g/√Hz	
Output Impedance	<100 ohm	
Bias Output Voltage	10-14 VDC	
Case Isolation	>10 ⁹ ohm	

Specifications	Standard	Metric
Environmental		
Temperature Range	-58 to 250°F	-50 to 121°C
Maximum Shock Protection	5,000 g, peak	
Electromagnetic Sensitivity	CE	
Sealing	Welded, Hermetic	
Physical		
Sensing Element	PZT Ceramic	
Sensing Structure	Shear Mode	
Weight	3.2 oz	90 grams
Case Material	316L Stainless Steel	
Mounting	1/4-28	
Connector (non-integral)	2 Pin MIL-C-5015	
Resonant Frequency	1,380,000 CPM	23000 Hz
Mounting Torque	2 to 5 ft. lbs.	2,7 to 6,8 Nm
Mounting Hardware	1/4-28 Stud	M6x1 Adapter Stud
Calibration Certificate	CA10	

Ordering Information

Standard	AC925-1A (1/4-28 Stud)	AC925-2C (1/4-28 Stud)	- / [] - [] (length in feet) (termination)	AC925-3C (1/4-28 Stud)	- / [] / [] - [] (maximum armor length 100 ft.) (cable length in feet) (termination)
Metric	M/AC925-1A (M6x1 Adapter Stud)	M/AC925-2C (M6x1 Adapter Stud)	- / [] - [] (length in feet) (termination)	M/AC925-3C (M6x1 Adapter Stud)	- / [] / [] - [] (maximum armor length 100 ft.) (cable length in feet) (termination)
			[] M - [] (length in meters) (termination)		[] M / [] M - [] (maximum armor length 30 m) (cable length in meters) (termination)

Read Before Purchasing
Important information on
Regulatory Approvals and Requirements
on Page 54

Cable Termination Options: L Z

Backed by our Unconditional Lifetime Warranty

www.ctconline.com



AC926 Series

Class I, Division 2/Zone 2 Accelerometer, For Use In "Non-Arcing, Non-Sparking" Environments, Side Exit Connector/Cable, 100 mV/g

**Must Use "Class I, Division 2"
CB190 Cable and D2Q Connectors**

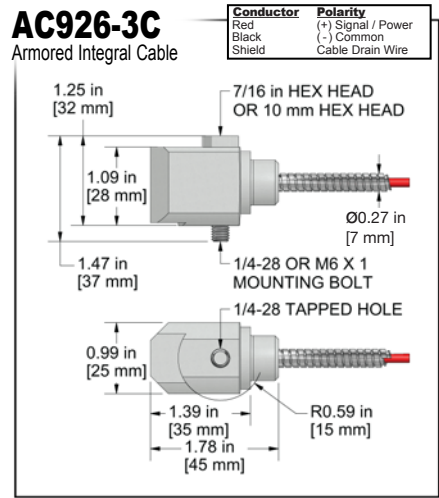
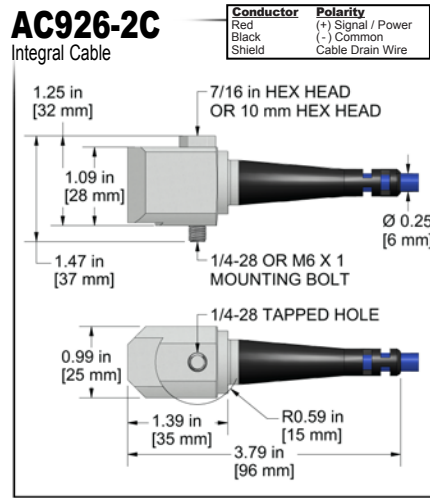
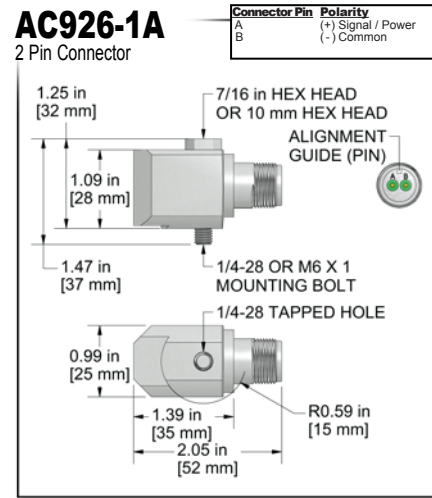
Product Features

Class I, Division 2/Zone 2 Rating
Excellent for Higher g Applications

- ± 50 g, Peak Dynamic Range
- 100 mV/g, $\pm 10\%$ Sensitivity
- 0,5 - 8600 Hz (30 - 516,000 CPM) Frequency Response



Actual Product Size Shown



Specifications	Standard	Metric
Part Number	AC926	M/AC926
Sensitivity ($\pm 10\%$)	100 mV/g	
Frequency Response (± 3 dB)	30-516,000 CPM	0,5-8600 Hz
Frequency Response ($\pm 10\%$)	60-360,000 CPM	1,0-6000 Hz
Dynamic Range	± 50 g, peak	
Electrical		
Settling Time	<3 Seconds	
Voltage Source	18-28 VDC	
Constant Current Excitation	2-4 mA	
Spectral Noise @ 10 Hz	6.5 μ g/ \sqrt Hz	
Spectral Noise @ 100 Hz	2 μ g/ \sqrt Hz	
Spectral Noise @ 1000 Hz	1.8 μ g/ \sqrt Hz	
Output Impedance	<100 ohm	
Bias Output Voltage	10-14 VDC	
Case Isolation	>10 ⁹ ohm	

Specifications	Standard	Metric
Environmental		
Temperature Range	-58 to 250°F	-50 to 121°C
Maximum Shock Protection	5,000 g, peak	
Electromagnetic Sensitivity	CE	
Sealing	Welded, Hermetic	
Physical		
Sensing Element	PZT Ceramic	
Sensing Structure	Shear Mode	
Weight	5.3 oz	150 grams
Case Material	316L Stainless Steel	
Mounting	1/4-28	
Connector (non-integral)	2 Pin MIL-C-5015	
Resonant Frequency	1,260,000 CPM	21000 Hz
Mounting Torque	2 to 5 ft. lbs.	2,7 to 6,8 Nm
Mounting Hardware	1/4-28 Captive Bolt	M6x1 Captive Bolt
Calibration Certificate	CA10	

Ordering Information

Standard	AC926-1A (1/4-28 Captive Bolt)	AC926-2C - / [] - [] (1/4-28 Captive Bolt) (length in feet) (termination)	AC926-3C - / [] / [] - [] (1/4-28 Captive Bolt) (maximum armor length 100 ft.) (cable length in feet) (termination)
Metric	M/AC926-1A (M6x1 Captive Bolt)	M/AC926-2C - / [] - [] (M6x1 Captive Bolt) (length in feet) (termination)	M/AC926-3C - / [] / [] - [] (M6x1 Captive Bolt) (maximum armor length 100 ft.) (cable length in feet) (termination)
		[] M - [] (length in meters) (termination)	[] M / [] M - [] (maximum armor length 30 m) (cable length in meters) (termination)

Read Before Purchasing
Important information on
Regulatory Approvals and Requirements
on Page 54



Backed by our Unconditional Lifetime Warranty