



Actual Product Size Shown



Requires **Intrinsically Safe Barrier**

Product Features

CSA/ATEX Approved

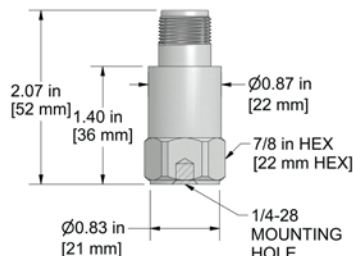
High Performance at a Reasonable Price

- 0,5 - 15000 Hz (30 - 900,000 CPM) Frequency Response
- 100 mV/g Sensitivity $\pm 10\%$
- Requires Intrinsic Safety Barrier (see page 278)

AC905-1A 2 Pin Connector

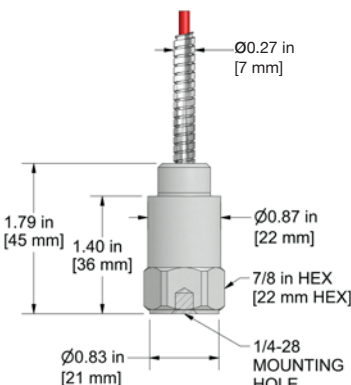
Connector Pin	Polarity
A	(+) Signal / Power
B	(-) Common

ALIGNMENT GUIDE (PIN)



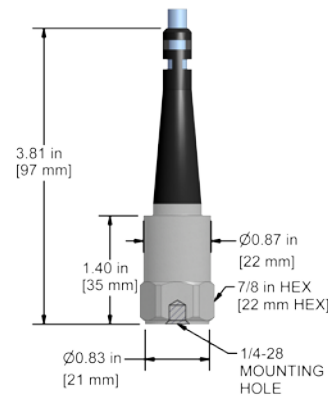
AC905-3C Armored Integral Cable

Conductor	Polarity
Red	(+) Signal / Power
Black	(-) Common
Shield	Cable Drain Wire



AC905-9C Integral Cable

Conductor	Polarity
Red	(+) Signal / Power
Black	(-) Common
Shield	Cable Drain Wire



Specifications	Standard	Metric
Part Number	AC905	M/AC905
Sensitivity ($\pm 10\%$)	100 mV/g	
Frequency Response ($\pm 3\text{dB}$)	30-900,000 CPM	0,5-15000 Hz
Frequency Response ($\pm 10\%$)	60-600,000 CPM	1,0-10000 Hz
Dynamic Range	± 50 g, peak	
Electrical		
Settling Time	<3 Seconds	
Voltage Source	18-28 VDC	
Constant Current Excitation	2-10 mA	
Spectral Noise @ 10 Hz	6.5 $\mu\text{g}/\sqrt{\text{Hz}}$	
Spectral Noise @ 100 Hz	2 $\mu\text{g}/\sqrt{\text{Hz}}$	
Spectral Noise @ 1000 Hz	1.8 $\mu\text{g}/\sqrt{\text{Hz}}$	
Output Impedance	<100 ohm	
Bias Output Voltage	10-14 VDC	
Case Isolation	>10 ⁹ ohm	

Specifications	Standard	Metric
Environmental		
Temperature Range	-58 to 250°F	-50 to 121°C
Maximum Shock Protection	5,000 g, peak	
Electromagnetic Sensitivity	CE	
Sealing	Welded, Hermetic	
Physical		
Sensing Element	PZT Ceramic	
Sensing Structure	Shear Mode	
Weight	3.2 oz	90 grams
Case Material	316L Stainless Steel	
Mounting	1/4-28	
Connector (AC905-1A)	2 Pin MIL-C-5015	
Armored Cable (AC905-3C)	Armor Jacketed Cable	
Integral Cable (AC905-9C)	RAL 5015 Blue Polyurethane Cable	
Resonant Frequency	1,380,000 CPM	23000 Hz
Mounting Torque	2 to 5 ft. lbs.	2,7 to 6,8 Nm
Mounting Hardware	1/4-28 Stud	M6x1 Adapter Stud
Calibration Certificate	CA10	

Ordering Information

Standard	AC905-1A (1/4-28 Stud)	AC905-3C - / [] / [] - [] (1/4-28 Stud) (maximum armor length 100 ft.) (cable length in feet) (termination)	AC905-9C - / [] - [] (1/4-28 Stud) (length in feet) (termination)
Metric	M/AC905-1A (M6x1 Adapter Stud)	M/AC905-3C - / [] / [] - [] (M6x1 Adapter Stud) (maximum armor length 30 m) (cable length in meters) (termination)	M/AC905-9C - / [] - [] (M6x1 Adapter Stud) (length in meters) (termination)

Read Before Purchasing
Important information on
Regulatory Approvals and Requirements
on Pages 60 & 61

Cable Termination Options: L Z



Backed by our Unconditional Lifetime Warranty

AC906 Series

Intrinsically Safe Accelerometer, Side Exit Connector/Cable, 100 mV/g

SECTION 1 - VIBRATION SENSORS
Intrinsically Safe Accelerometers



Actual Product Size Shown



Requires **Intrinsically Safe Barrier**

Product Features

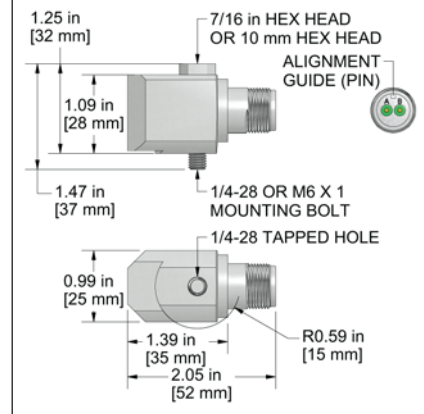
CSA/ATEX Approved

Hazardous Location Sensor for ATEX and C1D1 Areas

- 0.5 - 8600 Hz (30 - 516,000 CPM) Frequency Response
- 100 mV/g Sensitivity $\pm 10\%$
- Requires Intrinsic Safety Barrier (see page 278)

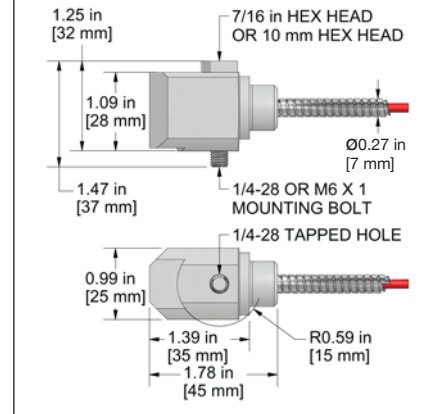
AC906-1A 2 Pin Connector

Connector Pin	Polarity
A	(+) Signal / Power
B	(-) Common



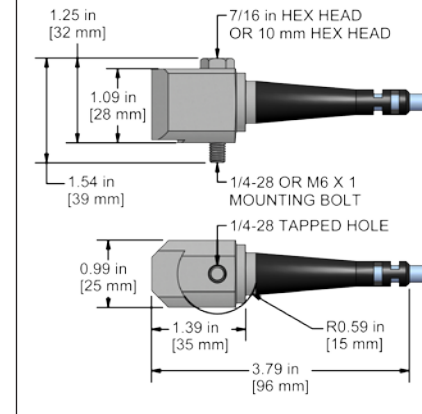
AC906-3C Armored Integral Cable

Conductor	Polarity
Red	(+) Signal / Power
Black	(-) Common
Shield	Cable Drain Wire



AC906-9C Integral Cable

Conductor	Polarity
Red	(+) Signal / Power
Black	(-) Common
Shield	Cable Drain Wire



Specifications	Standard	Metric
Part Number	AC906	M/AC906
Sensitivity ($\pm 10\%$)	100 mV/g	
Frequency Response ($\pm 3\text{dB}$)	30-516,000 CPM	0.5-8600 Hz
Frequency Response ($\pm 10\%$)	60-360,000 CPM	1.0-6000 Hz
Dynamic Range	± 50 g, peak	
Electrical		
Settling Time	<3 Seconds	
Voltage Source	18-28 VDC	
Constant Current Excitation	2-10 mA	
Spectral Noise @ 10 Hz	6.5 $\mu\text{g}/\sqrt{\text{Hz}}$	
Spectral Noise @ 100 Hz	2 $\mu\text{g}/\sqrt{\text{Hz}}$	
Spectral Noise @ 1000 Hz	1.8 $\mu\text{g}/\sqrt{\text{Hz}}$	
Output Impedance	<100 ohm	
Bias Output Voltage	10-14 VDC	
Case Isolation	>10 ⁹ ohm	

Specifications	Standard	Metric
Environmental		
Temperature Range	-58 to 250°F	-50 to 121°C
Maximum Shock Protection	5,000 g, peak	
Electromagnetic Sensitivity	CE	
Sealing	Welded, Hermetic	
Physical		
Sensing Element	PZT Ceramic	
Sensing Structure	Shear Mode	
Weight	5.3 oz	150 grams
Case Material	316L Stainless Steel	
Mounting	1/4-28	
Connector (AC906-1A)	2 Pin MIL-C-5015	
Armored Cable (AC906-3C)	Armor Jacketed Cable	
Integral Cable (AC906-9C)	RAL 5015 Blue Polyurethane Cable	
Resonant Frequency	1,260,000 CPM	21000 Hz
Mounting Torque	2 to 5 ft. lbs.	2,7 to 6,8 Nm
Mounting Hardware	1/4-28 Stud	M6x1 Adapter Stud
Calibration Certificate	CA10	

Ordering Information

Standard	AC906-1A (1/4-28 Captive Bolt)	AC906-3C - / [] / [] - [] (1/4-28 Captive Bolt) (maximum armor length 100 ft.) (cable length in feet) (termination)	AC906-9C - / [] - [] (1/4-28 Captive Bolt) (length in feet) (termination)
Metric	M/AC906-1A (M6x1 Captive Bolt)	M/AC906-3C - / [] / [] - [] (M6x1 Captive Bolt) (maximum armor length 30 m) (cable length in meters) (termination)	M/AC906-9C - / [] - [] (M6x1 Captive Bolt) (length in meters) (termination)
		[] M / [] M - [] (maximum armor length 30 m) (cable length in meters) (termination)	[] M - [] (length in meters) (termination)



Read Before Purchasing
Important information on
Regulatory Approvals and Requirements
on Pages 60 & 61

Cable Termination Options: L **Z**

Backed by our **Unconditional Lifetime Warranty**

www.ctconline.com



AC901 Series

Intrinsically Safe Accelerometer, Top Exit Connector/Cable, 10 mV/g

SECTION 1 - VIBRATION SENSORS
Intrinsically Safe Accelerometers



Actual Product Size Shown



Requires **Intrinsically Safe Barrier**

Product Features

CSA/ATEX Approved

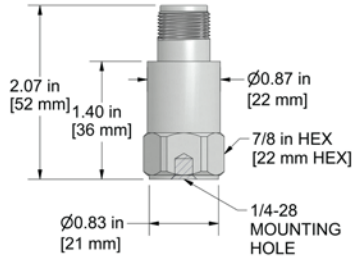
Helps to Detect Bearing Defects and Other High Frequency Faults

- ± 500 g, Peak Dynamic Range
- 1,2 - 15000 Hz (72 - 900,000 CPM) Frequency Response
- Requires Intrinsic Safety Barrier (see page 278)

AC901-1A 2 Pin Connector

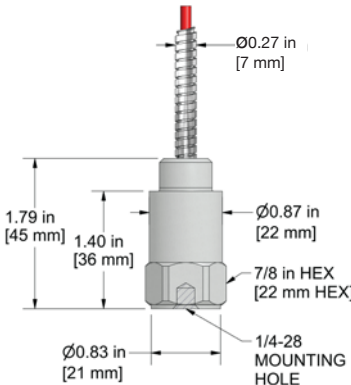
Connector Pin	Polarity
A	(+) Signal / Power
B	(-) Common

ALIGNMENT GUIDE (PIN)



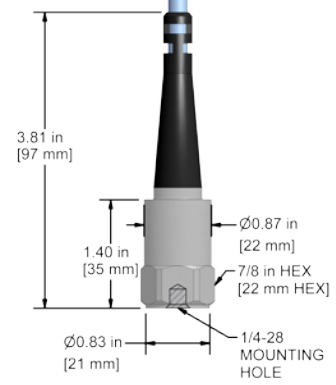
AC901-3C Armored Integral Cable

Conductor	Polarity
Red	(+) Signal / Power
Black	(-) Common
Shield	Cable Drain Wire



AC901-9C Integral Cable

Conductor	Polarity
Red	(+) Signal / Power
Black	(-) Common
Shield	Cable Drain Wire

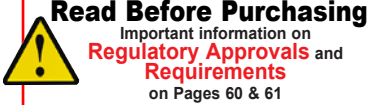


Specifications	Standard	Metric
Part Number	AC901	M/AC901
Sensitivity ($\pm 10\%$)	10 mV/g	
Frequency Response (± 3 dB)	72-900,000 CPM	1,2-15000 Hz
Frequency Response ($\pm 10\%$)	150-360,000 CPM	2,5-6000 Hz
Dynamic Range	± 500 g, peak	
Electrical		
Settling Time	<3 Seconds	
Voltage Source	18-28 VDC	
Constant Current Excitation	2-10 mA	
Spectral Noise @ 10 Hz	500 $\mu\text{g}/\sqrt{\text{Hz}}$	
Spectral Noise @ 100 Hz	65 $\mu\text{g}/\sqrt{\text{Hz}}$	
Spectral Noise @ 1000 Hz	11 $\mu\text{g}/\sqrt{\text{Hz}}$	
Output Impedance	<100 ohm	
Bias Output Voltage	10-14 VDC	
Case Isolation	>10 ⁹ ohm	

Specifications	Standard	Metric
Environmental		
Temperature Range	-58 to 250°F	-50 to 121°C
Maximum Shock Protection	5,000 g, peak	
Electromagnetic Sensitivity	CE	
Sealing	Welded, Hermetic	
Physical		
Sensing Element	PZT Ceramic	
Sensing Structure	Shear Mode	
Weight	3.2 oz	90 grams
Case Material	316L Stainless Steel	
Mounting	1/4-28	
Connector (AC901-1A)	2 Pin MIL-C-5015	
Armored Cable (AC901-3C)	Armor Jacketed Cable	
Integral Cable (AC901-9C)	RAL 5015 Blue Polyurethane Cable	
Resonant Frequency	1,380,000 CPM	23000 Hz
Mounting Torque	2 to 5 ft. lbs.	2,7 to 6,8 Nm
Mounting Hardware	1/4-28 Stud	M6x1 Adapter Stud
Calibration Certificate	CA10	

Ordering Information

Standard	AC901-1A (1/4-28 Stud)	AC901-3C - / <input type="text"/> / <input type="text"/> - <input type="text"/> (1/4-28 Stud) (maximum armor length 100 ft.) (cable length in feet) (termination)	AC901-9C - / <input type="text"/> - <input type="text"/> (1/4-28 Stud) (length in feet) (termination)
Metric	M/AC901-1A (M6x1 Adapter Stud)	M/AC901-3C - / <input type="text"/> / <input type="text"/> - <input type="text"/> (M6x1 Adapter Stud) (maximum armor length 30 m) (cable length in meters) (termination)	M/AC901-9C - / <input type="text"/> - <input type="text"/> (M6x1 Adapter Stud) (length in meters) (termination)



Cable Termination Options: **L** **Z**

Backed by our Unconditional Lifetime Warranty

www.ctconline.com





Actual Product Size Shown



Requires **Intrinsically Safe Barrier**

Product Features

CSA/ATEX Approved

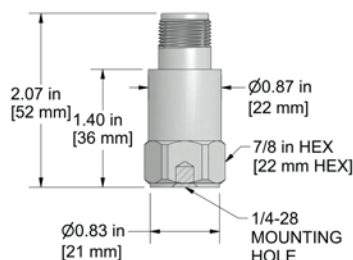
Excellent for Higher g Applications

- 1,0 - 15000 Hz (60 - 900,000 CPM) Frequency Response
- ±100 g, Peak Dynamic Range
- Requires Intrinsic Safety Barrier (see page 278)

AC903-1A 2 Pin Connector

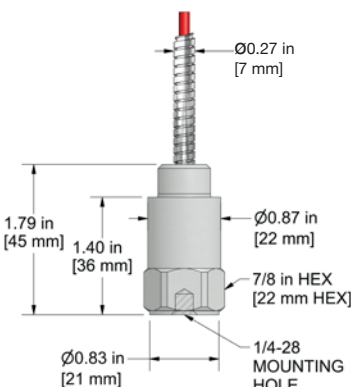
Connector Pin Polarity	
A	(+) Signal / Power
B	(-) Common

ALIGNMENT GUIDE (PIN)



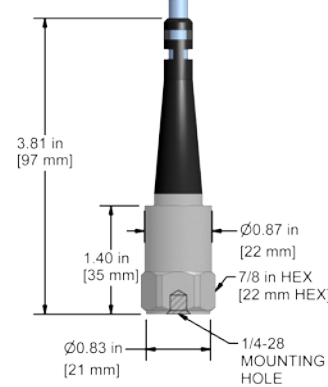
AC903-3C Armored Integral Cable

Conductor Polarity	
Red	(+) Signal / Power
Black	(-) Common
Shield	Cable Drain Wire



AC903-9C Integral Cable

Conductor Polarity	
Red	(+) Signal / Power
Black	(-) Common
Shield	Cable Drain Wire



Specifications	Standard	Metric
Part Number	AC903	M/AC903
Sensitivity (±10%)	50 mV/g	
Frequency Response (±3dB)	60-900,000 CPM	1,0-15000 Hz
Frequency Response (±10%)	120-300,000 CPM	2,0-5000 Hz
Dynamic Range	± 100 g, peak	
Electrical		
Settling Time	<3 Seconds	
Voltage Source	18-28 VDC	
Constant Current Excitation	2-10 mA	
Spectral Noise @ 10 Hz	9 µg./Hz	
Spectral Noise @ 100 Hz	2 µg./Hz	
Spectral Noise @ 1000 Hz	1.6 µg./Hz	
Output Impedance	<100 ohm	
Bias Output Voltage	10-14 VDC	
Case Isolation	>10 ⁹ ohm	

Specifications	Standard	Metric
Environmental		
Temperature Range	-58 to 250°F	-50 to 121°C
Maximum Shock Protection	5,000 g, peak	
Electromagnetic Sensitivity	CE	
Sealing	Welded, Hermetic	
Physical		
Sensing Element	PZT Ceramic	
Sensing Structure	Shear Mode	
Weight	3.2 oz	90 grams
Case Material	316L Stainless Steel	
Mounting	1/4-28	
Connector (AC903-1A)	2 Pin MIL-C-5015	
Armored Cable (AC903-3C)	Armor Jacketed Cable	
Integral Cable (AC903-9C)	RAL 5015 Blue Polyurethane Cable	
Resonant Frequency	1,380,000 CPM	23000 Hz
Mounting Torque	2 to 5 ft. lbs.	2,7 to 6,8 Nm
Mounting Hardware	1/4-28 Stud	M6x1 Adapter Stud
Calibration Certificate	CA10	

Ordering Information

Standard	AC903-1A (1/4-28 Stud)	AC903-3C - / [] / [] - [] (1/4-28 Stud) (maximum armor length 100 ft.) (cable length in feet) (termination)	AC903-9C - / [] - [] (1/4-28 Stud) (length in feet) (termination)
Metric	M/AC903-1A (M6x1 Adapter Stud)	M/AC903-3C - / [] / [] - [] (M6x1 Adapter Stud) (maximum armor length 30 m) (cable length in meters) (termination)	M/AC903-9C - / [] - [] (M6x1 Adapter Stud) (length in meters) (termination)

Read Before Purchasing
Important information on
Regulatory Approvals and Requirements
on Pages 60 & 61

Cable Termination Options: L Z



AC904 Series

Intrinsically Safe Accelerometer, Side Exit Connector/Cable, 50 mV/g

SECTION 1 - VIBRATION SENSORS
Intrinsically Safe Accelerometers



Actual Product Size Shown



Requires **Intrinsically Safe Barrier**

Product Features

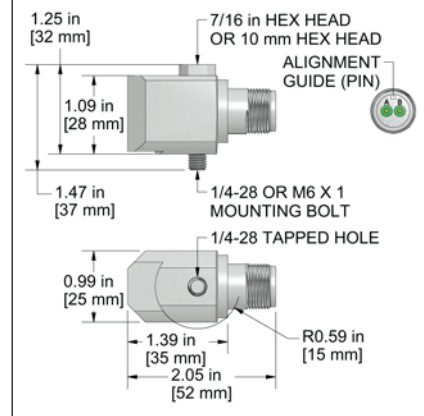
CSA/ATEX Approved

Excellent for Higher g Applications

- ± 100 g, Peak Dynamic Range
- 50 mV/g Sensitivity $\pm 10\%$
- Requires Intrinsic Safety Barrier (see page 278)

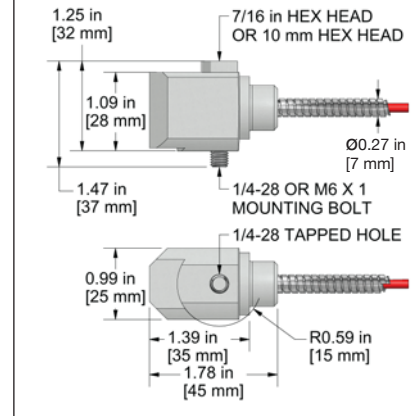
AC904-1A 2 Pin Connector

Connector Pin	Polarity
A	(+) Signal / Power
B	(-) Common



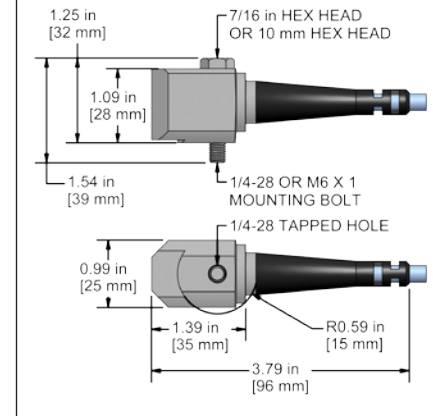
AC904-3C Armored Integral Cable

Conductor	Polarity
Red	(+) Signal / Power
Black	(-) Common
Shield	Cable Drain Wire



AC904-9C Integral Cable

Conductor	Polarity
Red	(+) Signal / Power
Black	(-) Common
Shield	Cable Drain Wire



Specifications	Standard	Metric
Part Number	AC904	M/AC904
Sensitivity ($\pm 10\%$)	50 mV/g	
Frequency Response (± 3 dB)	60-480,000 CPM	1,0-8000 Hz
Frequency Response ($\pm 10\%$)	120-180,000 CPM	2,0-3000 Hz
Dynamic Range	± 100 g, peak	
Electrical		
Settling Time	<3 Seconds	
Voltage Source	18-28 VDC	
Constant Current Excitation	2-10 mA	
Spectral Noise @ 10 Hz	9 μ g/√Hz	
Spectral Noise @ 100 Hz	2 μ g/√Hz	
Spectral Noise @ 1000 Hz	1.6 μ g/√Hz	
Output Impedance	<100 ohm	
Bias Output Voltage	10-14 VDC	
Case Isolation	>10 ⁹ ohm	

Specifications	Standard	Metric
Environmental		
Temperature Range	-58 to 250°F	-50 to 121°C
Maximum Shock Protection	5,000 g, peak	
Electromagnetic Sensitivity	CE	
Sealing	Welded, Hermetic	
Physical		
Sensing Element	PZT Ceramic	
Sensing Structure	Shear Mode	
Weight	5.3 oz	150 grams
Case Material	316L Stainless Steel	
Mounting	1/4-28	
Connector (AC904-1A)	2 Pin MIL-C-5015	
Armored Cable (AC904-3C)	Armor Jacketed Cable	
Integral Cable (AC904-9C)	RAL 5015 Blue Polyurethane Cable	
Resonant Frequency	1,260,000 CPM	21000 Hz
Mounting Torque	2 to 5 ft. lbs.	2,7 to 6,8 Nm
Mounting Hardware	1/4-28 Stud	M6x1 Adapter Stud
Calibration Certificate	CA10	

Ordering Information

Standard	AC904-1A (1/4-28 Captive Bolt)	AC904-3C - / [] / [] - [] (1/4-28 Captive Bolt) (maximum armor length 100 ft.) (cable length in feet) (termination)	AC904-9C - / [] - [] (1/4-28 Captive Bolt) (length in feet) (termination)
Metric	M/AC904-1A (M6x1 Captive Bolt)	M/AC904-3C - / [] / [] - [] (M6x1 Captive Bolt) (maximum armor length 30 m) (cable length in meters) (termination)	M/AC904-9C - / [] - [] (M6x1 Captive Bolt) (length in meters) (termination)

Read Before Purchasing
Important information on
Regulatory Approvals and Requirements
on Pages 60 & 61

Cable Termination Options: **L** **Z**

Backed by our **Unconditional Lifetime Warranty**

www.ctconline.com

