

# AC192 Series

Compact, Multi-Purpose Accelerometer, Top Exit Connector/Cable, 100 mV/g

SECTION 1 - VIBRATION SENSORS  
Accelerometers

Actual Product Size Shown



## Product Features

**High Performance in an Affordable, Compact Sensor**

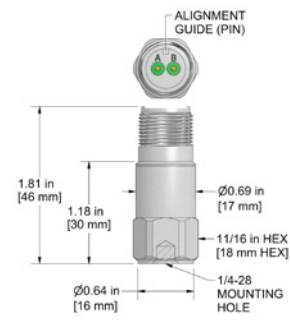
**Very Low Noise**

- Superior RF Immunity
- $\pm 80$  g, Peak Dynamic Range,  $\pm 10\%$  Sensitivity
- Standard 2 Pin MIL Connection

### AC192-1D

2 Pin Connector

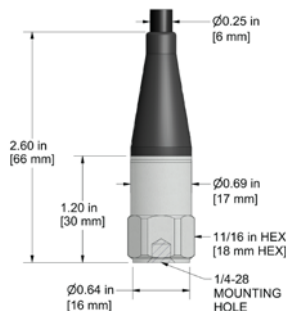
Connector Pin	Polarity
A	(+) Signal/Power
B	(-) Common



### AC192-2D

Integral Cable

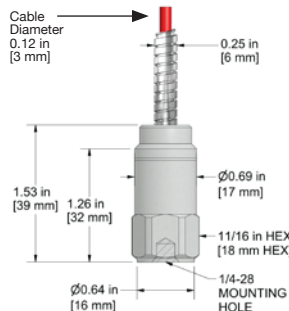
Conductor	Polarity
Red	(+) Signal/Power
Black	(-) Common
Shield	Cable Drain Wire



### AC192-3D

Armored Integral Cable

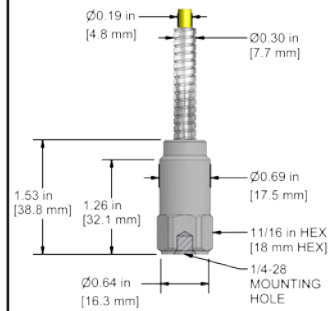
Conductor	Polarity
Red	(+) Signal/Power
Black	(-) Common
Shield	Cable Drain Wire



### AC192-6D

Heavy Duty Armored Integral Cable

Conductor	Polarity
Red	(+) Signal/Power
Black	(-) Common
Shield	Cable Drain Wire



Specifications	Standard	Metric
Part Number	AC192	M/AC192
Sensitivity ( $\pm 10\%$ )	100 mV/g	
Frequency Response ( $\pm 3$ dB)	24-780,000 CPM	0,4-13000 Hz
Frequency Response ( $\pm 10\%$ )	60-540,000 CPM	1,0-9000 Hz
Dynamic Range	$\pm 80$ g, peak	
<b>Electrical</b>		
Settling Time	<2 Seconds	
Voltage Source	18-30 VDC	
Constant Current Excitation	2-10 mA	
Spectral Noise @ 10 Hz	8 $\mu$ g/√Hz	
Spectral Noise @ 100 Hz	4 $\mu$ g/√Hz	
Spectral Noise @ 1000 Hz	2 $\mu$ g/√Hz	
Output Impedance	<100 ohm	
Bias Output Voltage	10-14 VDC	
Case Isolation	>10 <sup>9</sup> ohm	

Specifications	Standard	Metric
<b>Environmental</b>		
Temperature Range	-58 to 250°F	-50 to 121°C
Maximum Shock Protection	5,000 g, peak	
Electromagnetic Sensitivity	CE	
Sealing	Welded, Hermetic	
Submersible Depth (AC192-2D/3D)	200 ft.	60 m
<b>Physical</b>		
Sensing Element	PZT Ceramic	
Sensing Structure	Shear Mode	
Weight	1.8 oz	51 grams
Case Material	316L Stainless Steel	
Mounting	1/4-28	
Connector (non-integral)	2 Pin MIL-C-5015	
Resonant Frequency	1,560,000 CPM	26000 Hz
Mounting Torque	2 to 5 ft. lbs.	2,7 to 6,8 Nm
Mounting Hardware	1/4-28 Stud	M6x1 Adapter Stud
Calibration Certificate	CA10	

## Ordering Information

Standard	AC192-1D	AC192-2D	AC192-3D	AC192-6D
	(1/4-28 Stud)	(1/4-28 Stud)	(1/4-28 Stud)	(1/4-28 Stud)
		- / [ ] - [ ]	/ [ ] / [ ] - [ ]	/ [ ] / [ ] - [ ]
		(length in feet) (termination)	(maximum armor length 100 ft.) (cable length in feet) (termination)	(maximum armor length 20 ft.) (cable length in feet) (termination)
Metric	M/AC192-1D	M/AC192-2D	M/AC192-3D	M/AC192-6D
	(M6x1 Adapter Stud)	(M6x1 Adapter Stud)	(M6x1 Adapter Stud)	(M6x1 Adapter Stud)
		- / [ ] - [ ]	/ [ ] / [ ] - [ ]	/ [ ] / [ ] - [ ]
		(length in feet) (termination)	(maximum armor length 100 ft.) (cable length in feet) (termination)	(maximum armor length 20 ft.) (cable length in feet) (termination)
		[ ] M - [ ]	[ ] M / [ ] M - [ ]	[ ] M / [ ] M - [ ]
		(length in meters) (termination)	(maximum armor length 30 m) (cable length in meters) (termination)	(maximum armor length 6 m) (cable length in meters) (termination)

**Cable Termination Options: E** **F** **Z**

Backed by our Unconditional Lifetime Warranty

www.ctconline.com





Actual Product Size Shown



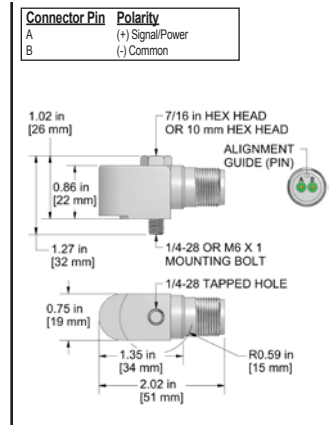
### Product Features

**High Performance in an Affordable, Side Exit Compact Sensor**

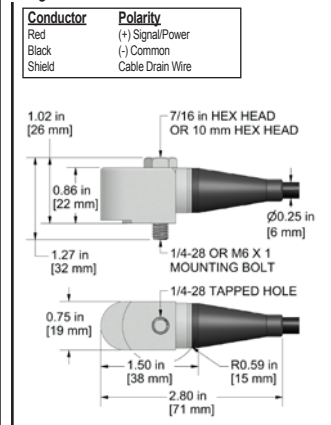
**Very Low Noise**

- Superior RF Immunity
- ±80 g, Peak Dynamic Range, ± 10% Sensitivity
- Standard 2 Pin MIL Connection

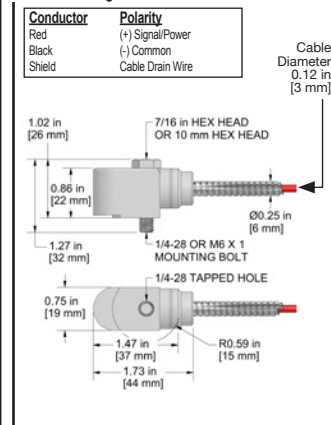
#### AC194-1D 2 Pin Connector



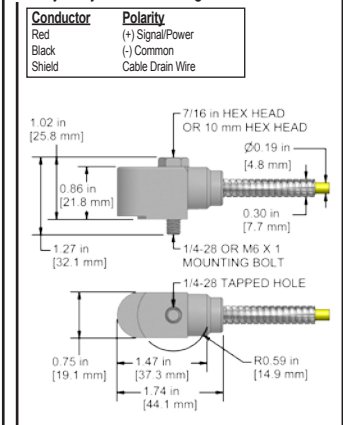
#### AC194-2D Integral Cable



#### AC194-3D Armored Integral Cable



#### AC194-6D Heavy Duty Armored Integral Cable



Specifications	Standard	Metric
Part Number	AC194	M/AC194
Sensitivity (±10%)	100 mV/g	
Frequency Response (±3dB)	30-600,000 CPM	0.5-10000 Hz
Dynamic Range	± 80 g, peak	
<b>Electrical</b>		
Settling Time	<2 Seconds	
Voltage Source	18-30 VDC	
Constant Current Excitation	2-10 mA	
Spectral Noise @ 10 Hz	8 µg/√Hz	
Spectral Noise @ 100 Hz	4 µg/√Hz	
Spectral Noise @ 1000 Hz	2 µg/√Hz	
Output Impedance	<100 ohm	
Bias Output Voltage	10-14 VDC	
Case Isolation	>10 <sup>8</sup> ohm	

Specifications	Standard	Metric
<b>Environmental</b>		
Temperature Range	-58 to 250°F	-50 to 121°C
Maximum Shock Protection	5,000 g, Peak	
Electromagnetic Sensitivity	CE	
Sealing	Welded, Hermetic	
Submersible Depth (AC194-2D/3D)	200 ft.	60 m
<b>Physical</b>		
Sensing Element	PZT Ceramic	
Sensing Structure	Shear Mode	
Weight	3.3 oz	93 grams
Case Material	316L Stainless Steel	
Mounting	1/4-28	
Connector (non-integral)	2 Pin MIL-C-5015	
Resonant Frequency	1,200,000 CPM	23000 Hz
Mounting Torque	2 to 5 ft. lbs.	2.7 to 6.8 Nm
Mounting Hardware	1/4-28 Captive Bolt	M6x1 Captive Bolt
Calibration Certificate	CA10	

### Ordering Information

Standard	AC194-1D (1/4-28 Captive Bolt)	AC194-2D - / [ ] [ ] - [ ] (1/4-28 Captive Bolt)	AC194-3D - / [ ] [ ] / [ ] [ ] - [ ] (1/4-28 Captive Bolt)	AC194-6D - / [ ] [ ] / [ ] [ ] - [ ] (1/4-28 Captive Bolt)
Metric	M/AC194-1D (M6x1 Captive Bolt)	M/AC194-2D - / [ ] [ ] - [ ] [ ] (M6x1 Captive Bolt)	M/AC194-3D - / [ ] [ ] / [ ] [ ] - [ ] [ ] (M6x1 Captive Bolt)	M/AC194-6D - / [ ] [ ] / [ ] [ ] - [ ] [ ] (M6x1 Captive Bolt)
		(length in feet) (termination)	(maximum armor length 100 ft.) (cable length in feet) (termination)	(maximum armor length 20 ft.) (cable length in feet) (termination)
		(length in meters) (termination)	(maximum armor length 30 m) (cable length in meters) (termination)	(maximum armor length 6 m) (cable length in meters) (termination)

**Cable Termination Options: E** **F** **Z**





Actual Product Size Shown



### M8 Captive Bolt

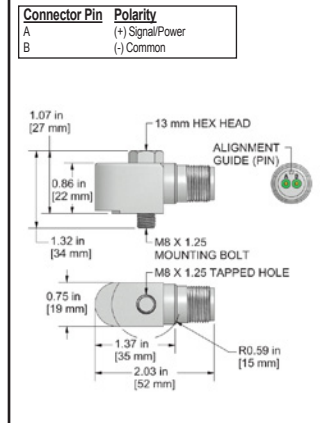
## Product Features

**High Performance in an Affordable, Side Exit Compact Sensor**

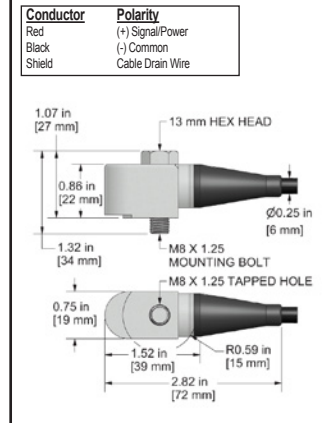
**Very Low Noise**

- Superior RF Immunity
- $\pm 80$  g, Peak Dynamic Range,  $\pm 10\%$  Sensitivity
- Standard 2 Pin MIL Connection

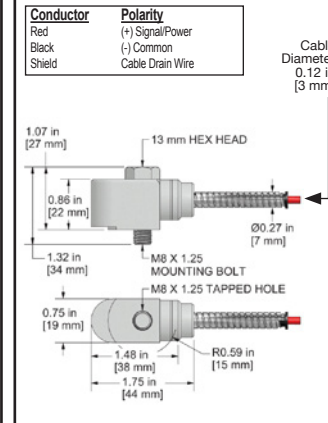
### AC198-1D 2 Pin Connector



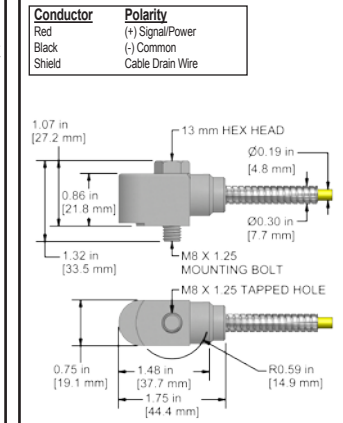
### AC198-2D Integral Cable



### AC198-3D Armored Integral Cable



### AC198-6D Heavy Duty Armored Integral Cable



Specifications	Standard	Metric
Part Number	AC-198	M/AC-198
Sensitivity ( $\pm 10\%$ )	100 mV/g	
Frequency Response ( $\pm 3$ dB)	30-480,000 CPM	0.5-8000 Hz
Dynamic Range	$\pm 80$ g, peak	
<b>Electrical</b>		
Settling Time	<2 Seconds	
Voltage Source	18-30 VDC	
Constant Current Excitation	2-10 mA	
Spectral Noise @ 10 Hz	8 $\mu$ g/ $\sqrt$ Hz	
Spectral Noise @ 100 Hz	4 $\mu$ g/ $\sqrt$ Hz	
Spectral Noise @ 1000 Hz	2 $\mu$ g/ $\sqrt$ Hz	
Output Impedance	<100 ohm	
Bias Output Voltage	10-14 VDC	
Case Isolation	>10 <sup>8</sup> ohm	

Specifications	Standard	Metric
<b>Environmental</b>		
Temperature Range	-58 to 250°F	-50 to 121°C
Maximum Shock Protection	5,000 g, Peak	
Electromagnetic Sensitivity	CE	
Sealing	Welded, Hermetic	
Submersible Depth (AC198-2D/3D)	200 ft.	60 m
<b>Physical</b>		
Sensing Element	PZT Ceramic	
Sensing Structure	Shear Mode	
Weight	3.3 oz	93 grams
Case Material	316L Stainless Steel	
Mounting	M8	
Connector (non-integral)	2 Pin MIL-C-5015	
Resonant Frequency	1,200,000 CPM	23000 Hz
Mounting Torque	2 to 5 ft. lbs.	2.7 to 6.8 Nm
Mounting Hardware	M8 Captive Bolt	
Calibration Certificate	CA10	

### Ordering Information

Standard	AC198-1D (1/4-28 Stud)	AC198-2D - / (1/4-28 Stud)	AC198-3D - / (1/4-28 Stud)	AC198-6D - / (1/4-28 Stud)
		(length in feet) (termination)	(length in feet) (maximum armor length 100 ft.) (cable length in feet) (termination)	(length in feet) (maximum armor length 20 ft.) (cable length in feet) (termination)
Metric	M/AC198-1D (M6x1 Adapter Stud)	M/AC198-2D - / (M6x1 Adapter Stud)	M/AC198-3D - / (M6x1 Adapter Stud)	M/AC198-6D - / (M6x1 Adapter Stud)
		(length in feet) (termination)	(length in feet) (maximum armor length 100 ft.) (cable length in feet) (termination)	(length in feet) (maximum armor length 20 ft.) (cable length in feet) (termination)
		(length in meters) (termination)	(length in meters) (maximum armor length 30 m) (cable length in meters) (termination)	(length in meters) (maximum armor length 6 m) (cable length in meters) (termination)

**Cable Termination Options:** E F Z



# AC292 Series

Compact, High Performance Accelerometer, Top Exit Connector/Cable, 100 mV/g

SECTION 1 - VIBRATION SENSORS  
Accelerometers

Actual Product Size Shown



## Product Features

**Superior RF Immunity in a Compact 100 mV/g Sensor**

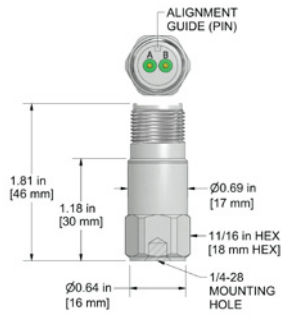
**Standard 2 Pin MIL Connector**

- $\pm 80$  g, Peak Dynamic Range,  $\pm 5\%$  Sensitivity
- 15 kHz Frequency Response
- Improved Linearity

### AC292-1D

2 Pin Connector

Connector Pin	Polarity
A	(+) Signal/Power
B	(-) Common



### AC292-2D

Integral Cable

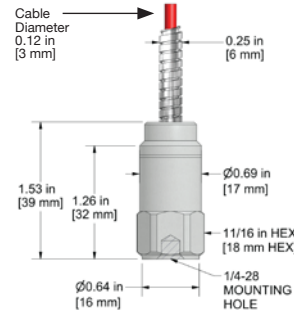
Conductor	Polarity
Red	(+) Signal/Power
Black	(-) Common
Shield	Cable Drain Wire



### AC292-3D

Armored Integral Cable

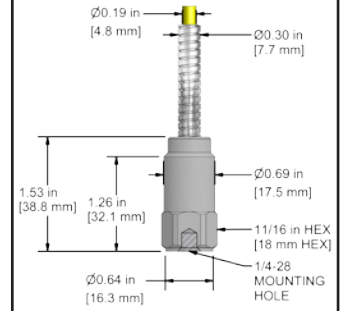
Conductor	Polarity
Red	(+) Signal/Power
Black	(-) Common
Shield	Cable Drain Wire



### AC292-6D

Heavy Duty Armored Integral Cable

Conductor	Polarity
Red	(+) Signal/Power
Black	(-) Common
Shield	Cable Drain Wire



Specifications	Standard	Metric
Part Number	AC292	M/AC292
Sensitivity ( $\pm 5\%$ )	100 mV/g	
Frequency Response ( $\pm 3$ dB)	18-900,000 CPM	0,3-15000 Hz
Frequency Response ( $\pm 10\%$ )	60-600,000 CPM	1,0-10000 Hz
Frequency Response ( $\pm 5\%$ )	600-300,000 CPM	10-5000 Hz
Dynamic Range	$\pm 80$ g, peak	
<b>Electrical</b>		
Settling Time	<2 Seconds	
Voltage Source	18-30 VDC	
Constant Current Excitation	2-10 mA	
Spectral Noise @ 10 Hz	8 $\mu$ g/√Hz	
Spectral Noise @ 100 Hz	4 $\mu$ g/√Hz	
Spectral Noise @ 1000 Hz	2 $\mu$ g/√Hz	
Output Impedance	<100 ohm	
Bias Output Voltage	10-14 VDC	
Case Isolation	>10 <sup>8</sup> ohm	

Specifications	Standard	Metric
<b>Environmental</b>		
Temperature Range	-58 to 250°F	-50 to 121°C
Maximum Shock Protection	5,000 g, peak	
Electromagnetic Sensitivity	CE	
Sealing	Welded, Hermetic	
Submersible Depth (AC292-2D/3D)	200 ft.	60 m
<b>Physical</b>		
Sensing Element	PZT Ceramic	
Sensing Structure	Shear Mode	
Weight	1.8 oz	51 grams
Case Material	316L Stainless Steel	
Mounting	1/4-28	
Connector (non-integral)	2 Pin MIL-C-5015	
Resonant Frequency	1,560,000 CPM	26000 Hz
Mounting Torque	2 to 5 ft. lbs.	2,7 to 6,8 Nm
Mounting Hardware	1/4-28 Stud	M6x1 Adapter Stud
Calibration Certificate	CA10	

## Ordering Information

Standard	AC292-1D	AC292-2D	AC292-3D	AC292-6D
	(1/4-28 Stud)	(1/4-28 Stud)	(1/4-28 Stud)	(1/4-28 Stud)
		(length in feet) (termination)	(maximum armor length 100 ft.) (cable length in feet) (termination)	(maximum armor length 20 ft.) (cable length in feet) (termination)
Metric	M/AC292-1D	M/AC292-2D	M/AC292-3D	M/AC292-6D
	(M6x1 Adapter Stud)	(M6x1 Adapter Stud)	(M6x1 Adapter Stud)	(M6x1 Adapter Stud)
		(length in feet) (termination)	(maximum armor length 100 ft.) (cable length in feet) (termination)	(maximum armor length 20 ft.) (cable length in feet) (termination)
		(length in meters) (termination)	(maximum armor length 30 m) (cable length in meters) (termination)	(maximum armor length 6 m) (cable length in meters) (termination)

Cable Termination Options: **E** **F** **Z**



VIBRATION ANALYSIS HARDWARE

Backed by our Unconditional Lifetime Warranty

# AC294 Series

Compact, High Performance Accelerometer, Side Exit Connector/Cable,  
100 mV/g

SECTION 1 - VIBRATION SENSORS  
Accelerometers



Actual Product Size Shown



## Product Features

**Superior RF Immunity in a Compact 100 mV/g Sensor**

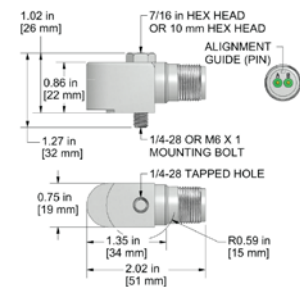
**Standard 2 Pin MIL Connector**

- $\pm 80$  g, Peak Dynamic Range,  $\pm 5\%$  Sensitivity
- 10 kHz Frequency Response
- Improved Linearity

### AC294-1D

2 Pin Connector

Connector Pin	Polarity
A	(+) Signal/Power
B	(-) Common



### AC294-2D

Integral Cable

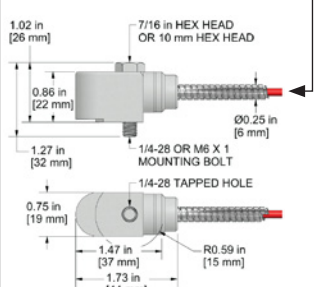
Conductor	Polarity
Red	(+) Signal/Power
Black	(-) Common
Shield	Cable Drain Wire



### AC294-3D

Armored Integral Cable

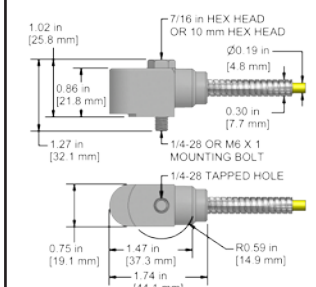
Conductor	Polarity
Red	(+) Signal/Power
Black	(-) Common
Shield	Cable Drain Wire



### AC294-6D

Heavy Duty Armored Integral Cable

Conductor	Polarity
Red	(+) Signal/Power
Black	(-) Common
Shield	Cable Drain Wire



Specifications	Standard	Metric
Part Number	AC294	M/AC294
Sensitivity ( $\pm 5\%$ )	100 mV/g	
Frequency Response ( $\pm 3$ dB)	18-600,000 CPM	0,3-10000 Hz
Frequency Response ( $\pm 10\%$ )	60-150,000 CPM	1,0-2500 Hz
Frequency Response ( $\pm 5\%$ )	600-120,000 CPM	10-2000 Hz
Dynamic Range	$\pm 80$ g, peak	
<b>Electrical</b>		
Settling Time	<2 Seconds	
Voltage Source	18-30 VDC	
Constant Current Excitation	2-10 mA	
Spectral Noise @ 10 Hz	8 $\mu$ g/√Hz	
Spectral Noise @ 100 Hz	4 $\mu$ g/√Hz	
Spectral Noise @ 1000 Hz	2 $\mu$ g/√Hz	
Output Impedance	<100 ohm	
Bias Output Voltage	10-14 VDC	
Case Isolation	>10 <sup>8</sup> ohm	

Specifications	Standard	Metric
<b>Environmental</b>		
Temperature Range	-58 to 250°F	-50 to 121°C
Maximum Shock Protection	5,000 g, peak	
Electromagnetic Sensitivity	CE	
Sealing	Welded, Hermetic	
Submersible Depth (AC294-2D/3D)	200 ft.	60 m
<b>Physical</b>		
Sensing Element	PZT Ceramic	
Sensing Structure	Shear Mode	
Weight	3.3 oz	93 grams
Case Material	316L Stainless Steel	
Mounting	1/4-28	
Connector (non-integral)	2 Pin MIL-C-5015	
Resonant Frequency	1,200,000 CPM	20000 Hz
Mounting Torque	2 to 5 ft. lbs.	2,7 to 6,8 Nm
Mounting Hardware	1/4-28 Captive Bolt	M6x1 Captive Bolt
Calibration Certificate	CA10	

## Ordering Information

Standard	AC294-1D	AC294-2D	AC294-3D	AC294-6D
	(1/4-28 Stud)	(1/4-28 Stud)	(1/4-28 Stud)	(1/4-28 Stud)
		(length in feet) (termination)	(maximum armor length 100 ft.) (cable length in feet) (termination)	(maximum armor length 20 ft.) (cable length in feet) (termination)
Metric	M/AC294-1D	M/AC294-2D	M/AC294-3D	M/AC294-6D
	(M6x1 Adapter Stud)	(M6x1 Adapter Stud)	(M6x1 Adapter Stud)	(M6x1 Adapter Stud)
		(length in feet) (termination)	(maximum armor length 100 ft.) (cable length in feet) (termination)	(maximum armor length 20 ft.) (cable length in feet) (termination)
		(length in meters) (termination)	(maximum armor length 30 m) (cable length in meters) (termination)	(maximum armor length 6 m) (cable length in meters) (termination)

Cable Termination Options: E



Backed by our Unconditional Lifetime Warranty

www.ctconline.com

