

AC244 Series

Premium Series, mini-MIL Accelerometer, High Frequency,
Side Exit Connector/Cable, 100 mV/g

SECTION 1 - VIBRATION SENSORS
Accelerometers

mini-MIL Must Use J2X Series Connectors

Product Features

**Excellent Small Size, Low Profile
Industrial Accelerometer**

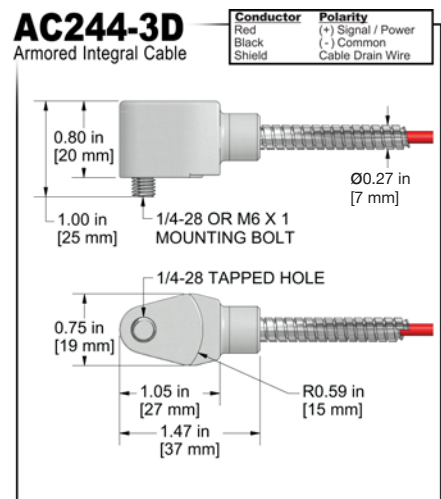
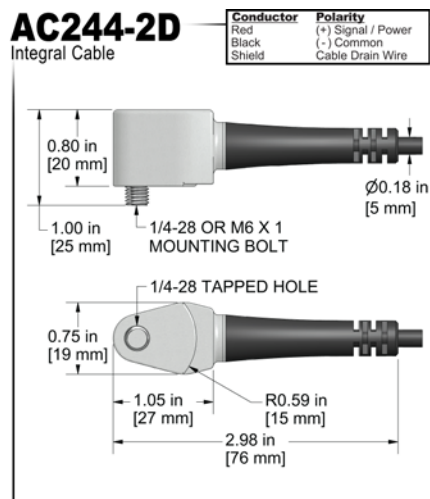
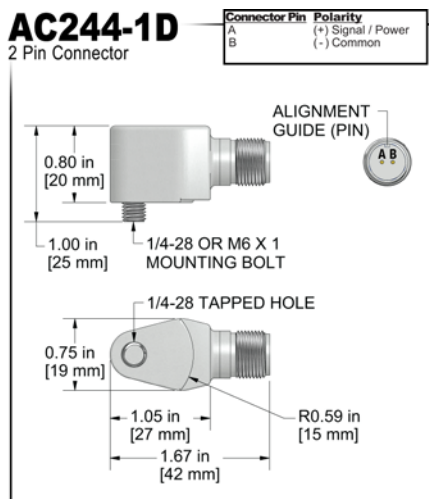
**Premium Accelerometer, Great for
Hard to Reach Areas**



Actual
Product
Size Shown



- 2 Pin Mini-MIL Connection
- Less Than 1 Inch (25 mm) High
- $\pm 5\%$ Sensitivity



Specifications	Standard	Metric
Part Number	AC244	M/AC244
Sensitivity ($\pm 5\%$)	100 mV/g	
Frequency Response ($\pm 3\text{dB}$)	36-900,000 CPM	0,6-15000 Hz
Frequency Response ($\pm 10\%$)	60-600,000 CPM	1,0-10000 Hz
Frequency Response ($\pm 5\%$)	120-420,000 CPM	2,0-7000 Hz
Dynamic Range	± 50 g, peak	
Electrical		
Settling Time	<2.5 seconds	
Voltage Source	18-30 VDC	
Constant Current Excitation	2-10 mA	
Spectral Noise @ 10 Hz	30 $\mu\text{g}/\text{Hz}$	
Spectral Noise @ 100 Hz	4 $\mu\text{g}/\text{Hz}$	
Spectral Noise @ 1000 Hz	2 $\mu\text{g}/\text{Hz}$	
Output Impedance	<100 ohm	
Bias Output Voltage	10-14 VDC	
Case Isolation	>10 ⁸ ohm	

Specifications	Standard	Metric
Environmental		
Temperature Range	-58 to 250° F	-50 to 121°C
Maximum Shock Protection	5,000 g, peak	
Electromagnetic Sensitivity	CE	
Sealing	Welded, Hermetic	
Submersible Depth (AC244-2D/3D)	200 ft.	60 m
Physical		
Sensing Element	PZT Ceramic	
Sensing Structure	Shear Mode	
Weight	2.1 oz	60 grams
Case Material	316L Stainless Steel	
Mounting	1/4-28	
Connector (non-integral)	2 Pin mini-MIL	
Resonant Frequency	1,920,000 CPM	33000 Hz
Mounting Torque	2 to 5 ft. lbs.	2,7 to 6,8 Nm
Mounting Hardware	1/4-28 Captive Bolt	M6x1 Captive Bolt
Calibration Certificate	CA10	

Ordering Information

Standard	AC244-1D (1/4-28 Bolt)	AC244-2D (1/4-28 Bolt)	- / <input type="text"/> - <input type="text"/> (length in feet) (termination)	AC244-3D (1/4-28 Bolt)	- / <input type="text"/> / <input type="text"/> - <input type="text"/> (maximum armor length 100 ft.) (cable length in feet) (termination)
Metric	M/AC244-1D (M6x1 Captive Bolt)	M/AC244-2D (M6x1 Captive Bolt)	- / <input type="text"/> - <input type="text"/> (length in meters) (termination)	M/AC244-3D (M6x1 Captive Bolt)	- / <input type="text"/> / <input type="text"/> - <input type="text"/> (maximum armor length 30 m) (cable length in meters) (termination)

Cable Termination Options: E F Z

Backed by our Unconditional Lifetime Warranty

www.ctconline.com



AC140 Series

Multi-Purpose mini-MIL Accelerometer, Top Exit Connector/Cable, 100 mV/g

SECTION 1 - VIBRATION SENSORS
Accelerometers

mini-MIL Must Use **J2X** Series Connectors

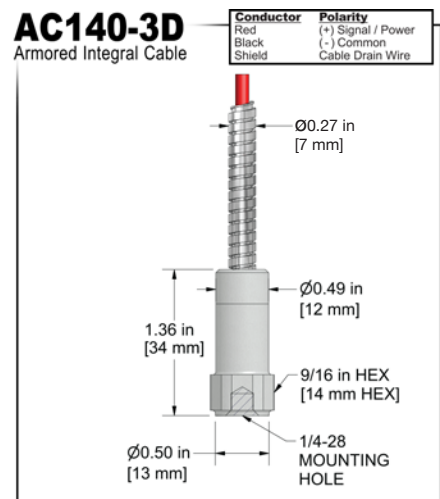
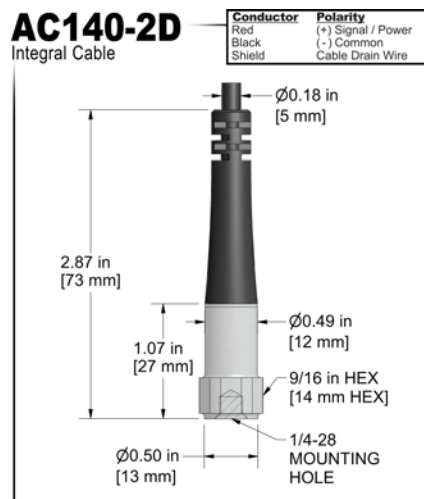
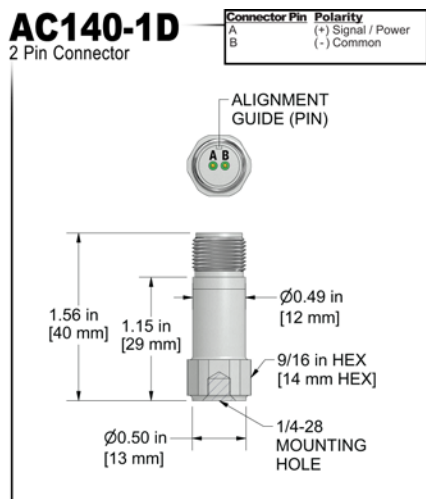
Product Features

Small Accelerometer, Great for Hard-to-Reach Locations!

Industrial Accelerometer, Perfect for Many Applications

- Small, Easy to Manage Size
- 2 Pin Mini-MIL Connection
- ±15% Sensitivity

Actual Product Size Shown



Specifications	Standard	Metric
Part Number	AC140	M/AC140
Sensitivity (±15 %)	100 mV/g	
Frequency Response (±3dB)	36-900,000 CPM	0,6-15000 Hz
Frequency Response (±10%)	60-420,000 CPM	1,0-7000 Hz
Dynamic Range	± 50 g, peak	
Electrical		
Settling Time	<2.5 seconds	
Voltage Source	18-30 VDC	
Constant Current Excitation	2-10 mA	
Spectral Noise @ 10 Hz	30 µg/√Hz	
Spectral Noise @ 100 Hz	4 µg/√Hz	
Spectral Noise @ 1000 Hz	2 µg/√Hz	
Output Impedance	<100 ohm	
Bias Output Voltage	10-14 VDC	
Case Isolation	>10 ⁹ ohm	

Specifications	Standard	Metric
Environmental		
Temperature Range	-58 to 250° F	-50 to 121°C
Maximum Shock Protection	5,000 g, peak	
Electromagnetic Sensitivity	CE	
Sealing	Welded, Hermetic	
Submersible Depth (AC140-2D/3D)	200 ft.	60 m
Physical		
Sensing Element	PZT Ceramic	
Sensing Structure	Shear Mode	
Weight	0.7 oz	20 grams
Case Material	316L Stainless Steel	
Mounting	1/4-28	
Connector (non-integral)	2 Pin mini-MIL	
Resonant Frequency	2,040,000 CPM	34000 Hz
Mounting Torque	2 to 5 ft. lbs.	2,7 to 6,8 Nm
Mounting Hardware	1/4-28 Stud	M6x1 Adapter Stud
Calibration Certificate	CA10	

Ordering Information

Standard	AC140-1D (1/4-28 Stud)	AC140-2D - / [] - [] (1/4-28 Stud) (length in feet) (termination)	AC140-3D - / [] / [] - [] (1/4-28 Stud) (maximum armor length 100 ft.) (cable length in feet) (termination)
Metric	M/AC140-1D (M6x1 Adapter Stud)	M/AC140-2D - / [] - [] (M6x1 Adapter Stud) (length in feet) (termination) [] M - [] (length in meters) (termination)	M/AC140-3D - / [] / [] - [] (M6x1 Adapter Stud) (maximum armor length 100 ft.) (cable length in feet) (termination) [] M / [] M - [] (maximum armor length 30 m) (cable length in meters) (termination)

Cable Termination Options: E F Z



VIBRATION ANALYSIS HARDWARE

Backed by our Unconditional Lifetime Warranty

AC144 Series

Multi-Purpose mini-MIL Accelerometer, Side Exit Connector/Cable, 100 mV/g

SECTION 1 - VIBRATION SENSORS
Accelerometers



Actual Product Size Shown



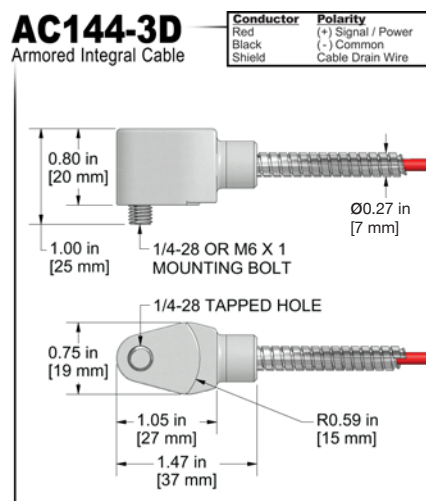
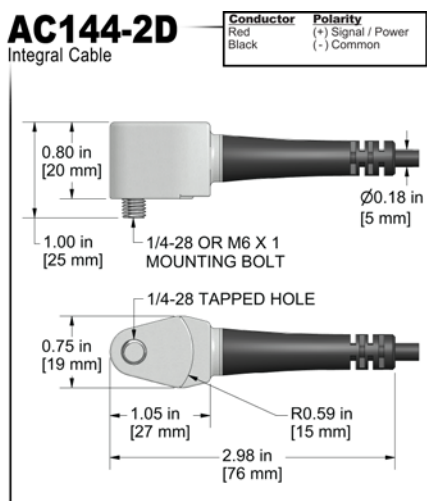
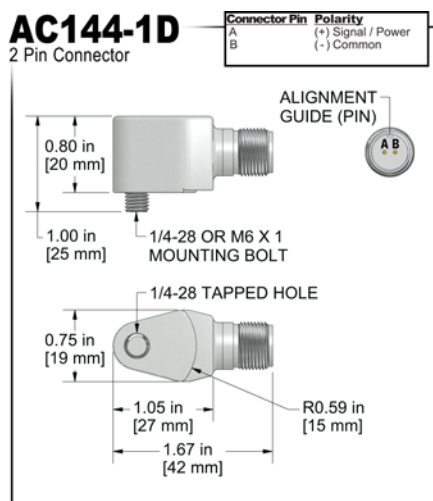
mini-MIL Must Use **J2X** Series Connectors

Product Features

Low-Cost Small Accelerometer, Great for Hard-to-Reach Locations!

Industrial Accelerometer, Perfect for Many Applications

- ± 50 g, Peak Dynamic Range
- 100 mV/g Sensitivity
- Mini-MIL Side Connector



Specifications	Standard	Metric
Part Number	AC144	M/AC144
Sensitivity ($\pm 15\%$)		100 mV/g
Frequency Response (± 3 dB)	36-600,000 CPM	0,6-10000 Hz
Dynamic Range		± 50 g, peak
Electrical		
Settling Time	<2.5 seconds	
Voltage Source	18-30 VDC	
Constant Current Excitation	2-10 mA	
Spectral Noise @ 10 Hz	30 μ g/ \sqrt Hz	
Spectral Noise @ 100 Hz	4 μ g/ \sqrt Hz	
Spectral Noise @ 1000 Hz	2 μ g/ \sqrt Hz	
Output Impedance	<100 ohm	
Bias Output Voltage	10-14 VDC	
Case Isolation	>10 ⁸ ohm	

Specifications	Standard	Metric
Environmental		
Temperature Range	-58 to 250° F	-50 to 121°C
Maximum Shock Protection		5,000 g, peak
Electromagnetic Sensitivity		CE
Sealing		Welded, Hermetic
Submersible Depth (AC144-2D/3D)	200 ft.	60 m
Physical		
Sensing Element		PZT Ceramic
Sensing Structure		Shear Mode
Weight	2.1 oz	60 grams
Case Material		316L Stainless Steel
Mounting		1/4-28
Connector (non-integral)		2 Pin mini-MIL
Resonant Frequency	1,920,000 CPM	32000 Hz
Mounting Torque	2 to 5 ft. lbs.	2,7 to 6,8 Nm
Mounting Hardware	1/4-28 Captive Bolt	M6x1 Captive Bolt
Calibration Certificate		CA10

Ordering Information

Standard	AC144-1D (1/4-28 Bolt)	AC144-2D - / [] - [] (1/4-28 Bolt) (length in feet) (termination)	AC144-3D - / [] / [] - [] (1/4-28 Bolt) (maximum armor length 100 ft.) (cable length in feet) (termination)
Metric	M/AC144-1D (M6x1 Adapter Bolt)	M/AC144-2D - / [] - [] (M6x1 Adapter Bolt) (length in feet) (termination)	M/AC144-3D - / [] / [] - [] (M6x1 Adapter Bolt) (maximum armor length 100 ft.) (cable length in feet) (termination)
		[] M - [] (length in meters) (termination)	[] M / [] M - [] (maximum armor length 30 m.) (cable length in meters) (termination)

Cable Termination Options: E F Z

Backed by our Unconditional Lifetime Warranty

www.ctconline.com



AC240 Series

Premium Series mini-MIL Accelerometer High Frequency
Top Exit Connector/Cable 100 mV/g

mini-MIL Must Use J2X Series Connectors

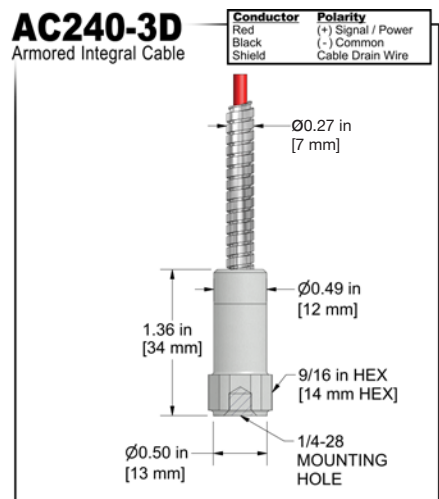
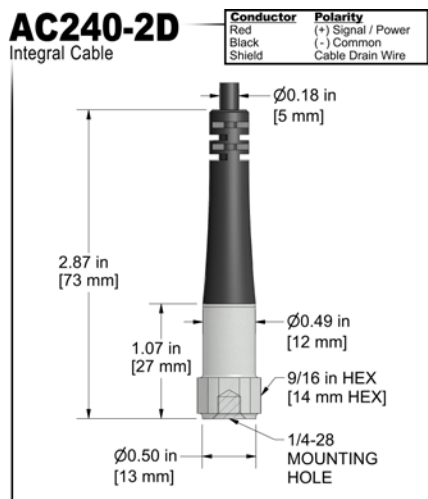
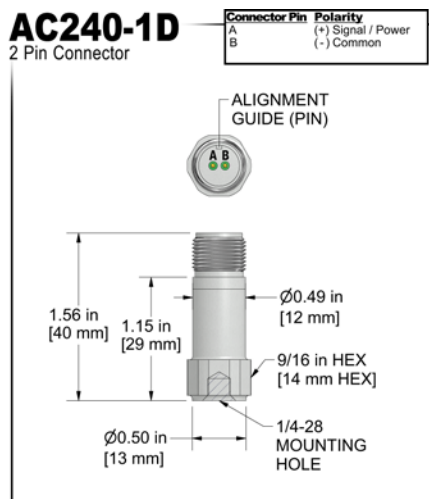
Product Features

High Performance Sensor for Demanding Applications

High Resonant Frequency with Excellent Frequency Response

- ± 50 g, Peak Dynamic Range
- 34 kHz Resonant Frequency
- $\pm 5\%$ Sensitivity

Actual Product Size Shown



Specifications	Standard	Metric
Part Number	AC240	M/AC240
Sensitivity ($\pm 5\%$)	100 mV/g	
Frequency Response (± 3 dB)	36-1,500,000 CPM	0.6-25000Hz
Frequency Response ($\pm 10\%$)	60-720,000 CPM	1.0-12000 Hz
Frequency Response ($\pm 5\%$)	120-480,000 CPM	2-8000 Hz
Dynamic Range	± 50 g, peak	
Electrical		
Settling Time	<2.5 Seconds	
Voltage Source	18-30 VDC	
Constant Current Excitation	2-10 mA	
Spectral Noise @ 10 Hz	30 μ g/ \sqrt Hz	
Spectral Noise @ 100 Hz	4 μ g/ \sqrt Hz	
Spectral Noise @ 1000 Hz	2 μ g/ \sqrt Hz	
Output Impedance	<100 ohm	
Bias Output Voltage	10-14 VDC	
Case Isolation	>10 ⁸ ohm	

Specifications	Standard	Metric
Environmental		
Temperature Range	-58 to 250° F	-50 to 121°C
Maximum Shock Protection	5,000 g, peak	
Electromagnetic Sensitivity	CE	
Sealing	Welded, Hermetic	
Submersible Depth (AC240-2D/3D)	200 ft.	60 m
Physical		
Sensing Element	PZT Ceramic	
Sensing Structure	Shear Mode	
Weight	0.7 oz	20 grams
Case Material	316L Stainless Steel	
Mounting	1/4-28	
Connector (non-integral)	2 Pin mini-MIL	
Resonant Frequency	2,040,000 CPM	34000 Hz
Mounting Torque	2 to 5 ft. lbs.	2.7 to 6.8 Nm
Mounting Hardware	1/4-28 Stud	M6x1 Adapter Stud
Calibration Certificate	CA10	

Ordering Information

Standard	AC240-1D (1/4-28 Stud)	AC240-2D (1/4-28 Stud)	- / <input type="text"/> - <input type="text"/> (length in feet) (termination)	AC240-3D (1/4-28 Stud)	- / <input type="text"/> / <input type="text"/> - <input type="text"/> (maximum armor length 100 ft.) (cable length in feet) (termination)
Metric	M/AC240-1D (M6x1 Adapter Stud)	M/AC240-2D (M6x1 Adapter Stud)	- / <input type="text"/> - <input type="text"/> (length in feet) (termination) <input type="text"/> M - <input type="text"/> (length in meters) (termination)	M/AC240-3D (M6x1 Adapter Stud)	- / <input type="text"/> / <input type="text"/> - <input type="text"/> (maximum armor length 100 ft.) (cable length in feet) (termination) <input type="text"/> M / <input type="text"/> M - <input type="text"/> (maximum armor length 30 m) (cable length in meters) (termination)

Cable Termination Options: **E** **F** **Z**



VIBRATION ANALYSIS HARDWARE

Backed by our Unconditional Lifetime Warranty