

| Model | Weight gm | Sensitivity mV/g | Range g | Frequency Response Hz (±5%) | Electrical Isolation | Max. Shock gpk | Min. Temp. °F (°C) | Max Temp. °F (°C) | Environmental Seal | Mounting Method |
|----------------------|-----------|------------------|---------|-----------------------------|----------------------|----------------|--------------------|-------------------|--------------------|-------------------|
| 3006A | 12 | 100 | 50 | 0.32 to 15,000 (±1dB) | yes | 3,000 | -60 (-51) | +250 (+121) | hermetic | 10-32 tapped hole |
| 3019A | 8 | 10 | 500 | 1 to 10,000 | yes | 3,000 | -60 (-51) | +300 (+149) | hermetic | 1/4-28 stud |
| 3019A1 | 8 | 10 | 500 | 1 to 10,000 | yes | 3,000 | -60 (-51) | +300 (+149) | hermetic | 10-32 stud |
| 3023A1 ³ | 4 | 10 | 500 | 1.5 to 5,000 (+15/-5%) | no | 5,000 | -60 (-51) | +250 (+121) | hermetic | 5-40 tapped hole |
| 3023A2 ³ | 4 | 10 | 500 | 1.5 to 5,000 (+15/-5%) | no | 5,000 | -60 (-51) | +250 (+121) | hermetic | 10-32 tapped hole |
| 3023A2H ³ | 4 | 10 | 500 | 1.5 to 5,000 (+15/-5%) | no | 5,000 | -60 (-51) | +320 (+160) | hermetic | 10-32 tapped hole |
| 3023A ³ | 3 | 10 | 500 | 1.5 to 10,000 (+15/-5%) | no | 5,000 | -60 (-51) | +250 (+121) | hermetic | adhesive |
| 3023A3 ³ | 3 | 5 | 1,000 | 1.5 to 10,000 (+15/-5%) | no | 5,000 | -60 (-51) | +250 (+121) | hermetic | adhesive |
| 3023A4 ³ | 4 | 5 | 1,000 | 1.5 to 5,000 (+15/-5%) | no | 5,000 | -60 (-51) | +250 (+121) | hermetic | 5-40 tapped hole |
| 3023A5 ³ | 3 | 1 | 5,000 | 1.5 to 10,000 (+15/-5%) | no | 7,000 | -60 (-51) | +250 (+121) | hermetic | adhesive |
| 3023A6 ³ | 4 | 5 | 1,000 | 1.5 to 5,000 (+15/-5%) | no | 5,000 | -60 (-51) | +250 (+121) | hermetic | 10-32 tapped hole |
| 3023A9 ³ | 1 | 1 | 5,000 | 0.55 to 5,000 (+15/-5%) | no | 5,000 | -60 (-51) | +250 (+121) | hermetic | 10-32 tapped hole |
| 3023AH ³ | 3 | 10 | 500 | 1.5 to 10,000 (+15/-5%) | no | 5,000 | -60 (-51) | +320 (+160) | hermetic | adhesive |
| 3030B4 | 6.8 | 10 | 500 | 2 to 10,000 | no | 3,000 | -60 (-51) | +250 (+121) | hermetic | 10-32 stud |
| 3030B5 | 6.8 | 10 | 500 | 5 to 10,000 | no | 3,000 | -60 (-51) | +250 (+121) | hermetic | 10-32 stud |
| 3030B5H | 6.8 | 10 | 500 | 5 to 10,000 | no | 3,000 | -60 (-51) | +325 (+162) | hermetic | 10-32 stud |
| 3032A | 1.5 | 10 | 500 | 1 to 10,000 (±10%) | no | 1,500 | -60 (-51) | +250 (+121) | epoxy | adhesive |
| 3032A1 | 1.5 | 5 | 1,000 | 1 to 10,000 (±10%) | no | 2,000 | -60 (-51) | +250 (+121) | epoxy | adhesive |
| 3033B2 ³ | 11 | 10 | 500 | 1 to 8,000 (±10%) | no | 1,000 | -60 (-51) | +250 (+121) | epoxy | thru hole |
| 3035B | 2.5 | 100 | 50 | 0.5 to 5,000 | no | 3,000 | -60 (-51) | +225 (+107) | hermetic | 5-40 stud |
| 3035B1 | 2.5 | 10 | 500 | 0.5 to 5,000 | no | 3,000 | -60 (-51) | +225 (+107) | hermetic | 5-40 stud |
| 3035B1G | 2.5 | 10 | 500 | 0.5 to 10,000 | no | 3,000 | -60 (-51) | +225 (+107) | hermetic | adhesive |
| 3035B2 | 2.5 | 50 | 100 | 0.5 to 5,000 | no | 3,000 | -60 (-51) | +225 (+107) | hermetic | 5-40 stud |
| 3035B2G | 2.5 | 50 | 100 | 0.5 to 10,000 | no | 3,000 | -60 (-51) | +225 (+107) | hermetic | adhesive |
| 3035BG | 2.5 | 100 | 50 | 0.5 to 10,000 | no | 3,000 | -60 (-51) | +225 (+107) | hermetic | adhesive |
| 3045A | 20 | 5 | 1,000 | 4.8 to 1,800 | yes | 2,000 | -420 (-251) | +300 (+149) | hermetic | 1/4-28 stud |
| 3049E | 3.3 | 10 | 500 | 1 to 10,000 | yes | 5,000 | -60 (-51) | +250 (+121) | hermetic | 10-32 stud |
| 3049E1 | 3.1 | 10 | 500 | 1 to 10,000 | yes | 5,000 | -60 (-51) | +250 (+121) | hermetic | adhesive |
| 3049E2 | 3.3 | 100 | 50 | 1 to 10,000 | yes | 5,000 | -60 (-51) | +212 (+100) | hermetic | 10-32 stud |
| 3049E3 | 3.1 | 100 | 50 | 1 to 10,000 | yes | 5,000 | -60 (-51) | +212 (+100) | hermetic | adhesive |
| 3053B1 ³ | 5.5 | 5 | 1,000 | 2 to 5,000 (±10%) | yes | 5,000 | -60 (-51) | +250 (+121) | hermetic | adhesive |
| 3053B2 ³ | 7.5 | 10 | 500 | 2 to 5,000 (±10%) | yes | 5,000 | -60 (-51) | +250 (+121) | hermetic | 10-32 tapped hole |
| 3053B ³ | 6 | 10 | 500 | 2 to 5,000 (±10%) | yes | 5,000 | -60 (-51) | +250 (+121) | hermetic | adhesive |
| 3055B1 | 10 | 10 | 500 | 1 to 10,000 | yes | 3,000 | -60 (-51) | +250 (+121) | hermetic | 10-32 tapped hole |
| 3055B2 | 10 | 100 | 50 | 1 to 10,000 | yes | 2,000 | -60 (-51) | +250 (+121) | hermetic | 10-32 tapped hole |
| 3055B ³ | 10 | 500 | 10 | 1 to 10,000 | yes | 1,000 | -60 (-51) | +225 (+107) | hermetic | 10-32 tapped hole |
| 3055B4 | 10 | 50 | 100 | 1 to 10,000 | yes | 2,000 | -60 (-51) | +250 (+121) | hermetic | 10-32 tapped hole |
| 3055B6 | 10 | 200 | 25 | 1 to 10,000 | yes | 2,000 | -60 (-51) | +225 (+107) | hermetic | 10-32 tapped hole |
| 3056B1 | 10 | 10 | 500 | 1 to 10,000 | yes | 3,000 | -60 (-51) | +250 (+121) | hermetic | 10-32 tapped hole |
| 3056B2 | 10 | 100 | 50 | 1 to 10,000 | yes | 2,000 | -60 (-51) | +250 (+121) | hermetic | 10-32 tapped hole |
| 3056B3 | 10 | 500 | 10 | 1 to 10,000 | yes | 1,000 | -60 (-51) | +225 (+107) | hermetic | 10-32 tapped hole |
| 3056B4 | 10 | 20 | 250 | 1 to 10,000 | yes | 3,000 | -60 (-51) | +250 (+121) | hermetic | 10-32 tapped hole |
| 3056B5 | 10 | 50 | 100 | 1 to 10,000 | yes | 3,000 | -60 (-51) | +250 (+121) | hermetic | 10-32 tapped hole |
| 3056B6 | 10 | 200 | 25 | 1 to 10,000 | yes | 2,000 | -60 (-51) | +225 (+107) | hermetic | 10-32 tapped hole |
| 3056B7 | 10 | 5 | 1,000 | 1 to 10,000 | yes | 3,000 | -60 (-51) | +250 (+121) | hermetic | 10-32 tapped hole |
| 3062A | 37 | 10 | 500 | 0.48 - 10,000 | yes | 5,000 | -60 (-51) | +305 (+152) | hermetic | 1/4-28 stud |
| 3062A1 | 40 | 25 | 200 | 0.48 - 10,000 | yes | 3,000 | -60 (-51) | +305 (+152) | hermetic | 1/4-28 stud |
| 3063B ³ | 113 | 100 | 50 | 0.5 to 3,000 | yes | 2,000 | -65 (-54) | +250 (+121) | hermetic | 1/4-28 thru hole |
| 3077A | 11 | 10 | 500 | 1.5 - 5,000 | yes | 3,000 | -60 (-51) | +250 (+121) | hermetic | Ø.312 thru hole |
| 3078A | 20 | 10 | 500 | 1.5 to 5,000 (±10%) | yes | 3,000 | -60 (-51) | +250 (+121) | hermetic | Ø.312 thru hole |
| 3079A | 11 | 10 | 500 | 1.5 to 5,000 (±10%) | yes | 3,000 | -60 (-51) | +250 (+121) | hermetic | Ø.257 thru hole |

6 ¹ = IEEE 1451.4 TEDS, ² = Biaxial, ³ = Triaxial

| Model | Weight gm | Sensitivity mV/g | Range g | Frequency Response Hz (±5%) | Electrical Isolation | Max. Shock gpk | Min. Temp. °F (°C) | Max Temp. °F (°C) | Environmental Seal | Mounting Method |
|---------------------|-----------|------------------|---------|-----------------------------|----------------------|----------------|--------------------|-------------------|--------------------|--------------------|
| 3086A1 | 3.5 | 0.05 | 70,000 | 0.35 to 10,000 (±10%) | yes | 100,000 | -60 (-51) | +250 (+121) | hermetic | 1/4-28 stud |
| 3086A2 | 3.5 | 0.1 | 50,000 | 0.35 to 10,000 (±10%) | yes | 100,000 | -60 (-51) | +250 (+121) | hermetic | 1/4-28 stud |
| 3086A3 | 3.5 | 0.25 | 20,000 | 0.35 to 10,000 (±10%) | yes | 100,000 | -60 (-51) | +250 (+121) | hermetic | 1/4-28 stud |
| 3086A4 | 3.5 | 0.5 | 10,000 | 0.35 to 10,000 (±10%) | yes | 20,000 | -60 (-51) | +250 (+121) | hermetic | 1/4-28 stud |
| 3086A5 | 3.5 | 1 | 5,000 | 0.35 to 10,000 (±10%) | yes | 20,000 | -60 (-51) | +250 (+121) | hermetic | 1/4-28 stud |
| 3086A6 | 3.5 | 2 | 2,500 | 0.35 to 10,000 (±10%) | yes | 20,000 | -60 (-51) | +250 (+121) | hermetic | 1/4-28 stud |
| 3089A | 0.6 | 10 | 500 | 1 to 10,000 (±10%) | no | 3,000 | -60 (-51) | +250 (+121) | hermetic | adhesive |
| 3091A | 25 | 10 | 500 | 10 to 1,000 | yes | 3,000 | -60 (-51) | +250 (+121) | hermetic | ∅.312 thru hole |
| 3093B ³ | 13.5 | 100 | 50 | 2 to 5,000 (±10%) | yes | 3,000 | -60 (-51) | +250 (+121) | hermetic | 10-32 stud |
| 3093B ³ | 10 | 100 | 50 | 0.6 to 5,000 (±10%) | yes | 500 | -60 (-51) | +250 (+121) | hermetic | adhesive |
| 3097A1 | 4.3 | 10 | 500 | 0.3 to 10,000 | no | 5,000 | -60 (-51) | +200 (+93) | hermetic | 5-40 tapped hole |
| 3097A2 | 4.3 | 100 | 50 | 0.3 to 10,000 | no | 5,000 | -60 (-51) | +180 (+82) | hermetic | 5-40 tapped hole |
| 3097A3 | 4.3 | 500 | 10 | 0.3 to 10,000 | no | 5,000 | -60 (-51) | +150 (+65) | hermetic | 5-40 tapped hole |
| 3100D24 | 55 | 1,000 | 5 | 1 to 1,000 | yes | 1,000 | -60 (-51) | +250 (+121) | hermetic | 10-32 tapped hole |
| 3120B | 85 | 10 | 500 | 10 to 10,000 (±2%) | no | 2,000 | -60 (-51) | +200 (+93) | hermetic | 10-32 tapped hole |
| 3123A | 120 | 100 | 50 | 10 to 5,000 (±2%) | no | 2,000 | -60 (-51) | +250 (+121) | epoxy | 10-32 tapped hole |
| 3133A1 ³ | 0.8 | 10 | 500 | 0.25 to 7,000 (±10%) | no | 3,000 | -60 (-51) | +250 (+121) | epoxy | adhesive |
| 3133A2 ³ | 0.8 | 2 | 2,500 | 0.7 to 7,000 (±10%) | no | 3,000 | -60 (-51) | +300 (+149) | epoxy | adhesive |
| 3133A3 ³ | 0.8 | 5 | 1,000 | 0.25 to 7,000 (±10%) | no | 3,000 | -60 (-51) | +300 (+149) | epoxy | adhesive |
| 3143D1 ³ | 14 | 100 | 50 | 0.5 to 3,000 | yes | 1,500 | -60 (-51) | +185 (+85) | hermetic | thru hole |
| 3143D2 ³ | 14 | 50 | 100 | 0.5 to 3,000 | yes | 1,500 | -60 (-51) | +185 (+85) | hermetic | thru hole |
| 3143D ³ | 14 | 10 | 500 | 0.5 to 3,000 | yes | 1,500 | -60 (-51) | +185 (+85) | hermetic | thru hole |
| 3145A | 2.3 | 100 | 50 | 0.5 to 10,000 | no | 3,000 | -60 (-51) | +225 (+107) | hermetic | 5-40 stud |
| 3145A1 | 2.3 | 10 | 500 | 0.5 to 10,000 | no | 3,000 | -60 (-51) | +250 (+121) | hermetic | 5-40 stud |
| 3145A1G | 2.1 | 10 | 500 | 0.5 to 10,000 | no | 3,000 | -60 (-51) | +250 (+121) | hermetic | adhesive |
| 3145A2 | 2.3 | 5 | 1,000 | 0.5 to 10,000 | no | 3,000 | -60 (-51) | +250 (+121) | hermetic | 5-40 stud |
| 3145A2G | 2.1 | 5 | 1,000 | 0.5 to 10,000 | no | 3,000 | -60 (-51) | +250 (+121) | hermetic | adhesive |
| 3145AG | 2.1 | 100 | 50 | 0.5 to 10,000 | no | 3,000 | -60 (-51) | +225 (+107) | hermetic | adhesive |
| 3148E | 48 | 100 | 50 | 0.5 to 5,000 | yes | 3,000 | -60 (-51) | +250 (+121) | hermetic | 10-32 tapped hole |
| 3166B | 228 | 100 | 50 | 0.5 to 5,000 | yes | 3,000 | -60 (-51) | +250 (+121) | hermetic | 1/4-28 thru hole |
| 3166B1 | 228 | 500 | 10 | 0.5 to 1,000 | yes | 3,000 | -60 (-51) | +250 (+121) | hermetic | 1/4-28 thru hole |
| 3166B2 | 228 | 10 | 500 | 0.5 to 5,000 | yes | 3,000 | -60 (-51) | +250 (+121) | hermetic | 1/4-28 thru hole |
| 3168F | 23 | 10 | 500 | 1 to 20,000 | yes | 3,000 | -60 (-51) | +250 (+121) | hermetic | 8-32 thru hole |
| 3176B | 44 | 100 | 50 | 0.3 to 10,000 (±10%) | yes | 5,000 | -60 (-51) | +250 (+121) | hermetic | 10-32 tapped hole |
| 3176B1 | 44 | 100 | 50 | 0.3 to 10,000 (±10%) | yes | 5,000 | -60 (-51) | +250 (+121) | hermetic | 10-32 tapped hole |
| 3184E | 120 | 100 | 50 | 1 to 5,000 | yes | 3,000 | -60 (-51) | +250 (+121) | hermetic | 1/4-28 tapped hole |
| 3185D | 55 | 100 | 50 | 2 to 10,000 (±10%) | yes | 3,000 | -60 (-51) | +250 (+121) | hermetic | 1/4-28 tapped hole |
| 3187D | 122 | 500 | 10 | 0.48 to 1,000 | yes | 3,000 | -60 (-51) | +250 (+121) | hermetic | 1/4-28 tapped hole |
| 3191A | 775 | 5,000 | 1 | 0.08 to 1,000 | yes | 100 | -60 (-51) | +250 (+121) | hermetic | 1/4-28 tapped hole |
| 3191A1 | 775 | 10,000 | 0.5 | 0.08 to 1,000 | yes | 100 | -60 (-51) | +250 (+121) | hermetic | 1/4-28 tapped hole |
| 3192A | 190 | 1,000 | 5 | 0.5 to 1,000 | yes | 100 | -60 (-51) | +250 (+121) | hermetic | 1/4-28 tapped hole |
| 3200B | 6 | 0.05 | 70,000 | 0.35 to 10,000 (±10%) | yes | 100,000 | -60 (-51) | +250 (+121) | epoxy | 1/4-28 stud |
| 3200B2 | 6 | 0.1 | 50,000 | 0.35 to 10,000 (±10%) | yes | 100,000 | -60 (-51) | +250 (+121) | epoxy | 1/4-28 stud |
| 3200B3 | 6 | 0.25 | 20,000 | 0.35 to 10,000 (±10%) | yes | 100,000 | -60 (-51) | +250 (+121) | epoxy | 1/4-28 stud |
| 3200B4 | 6 | 0.5 | 10,000 | 0.35 to 10,000 (±10%) | yes | 50,000 | -60 (-51) | +250 (+121) | epoxy | 1/4-28 stud |
| 3200B5 | 6 | 1 | 5,000 | 0.35 to 10,000 (±10%) | yes | 50,000 | -60 (-51) | +250 (+121) | epoxy | 1/4-28 stud |
| 3200B6 | 6 | 2 | 2,500 | 0.35 to 10,000 (±10%) | yes | 50,000 | -60 (-51) | +250 (+121) | epoxy | 1/4-28 stud |
| 3202A | 160 | 100 | 50 | 0.5 to 5,000 | yes | 3,000 | -60 (-51) | +250 (+121) | hermetic | 1/4-28 thru hole |
| 3202A1 | 160 | 500 | 10 | 0.5 to 5,000 | yes | 1,500 | -60 (-51) | +250 (+121) | hermetic | 1/4-28 thru hole |
| 3202A2 | 180 | 100 | 50 | 0.5 to 5,000 | yes | 1,500 | -60 (-51) | +250 (+121) | hermetic | 1/4-28 thru hole |
| 3202A3 | 180 | 500 | 10 | 0.5 to 5,000 | yes | 1,500 | -60 (-51) | +250 (+121) | hermetic | 1/4-28 thru hole |

¹ = IEEE 1451.4 TEDS, ² = Biaxial, ³ = Triaxial

| Model | Weight gm | Sensitivity mV/g | Range g | Frequency Response Hz (±5%) | Electrical Isolation | Max. Shock gpk | Min. Temp. °F (°C) | Max Temp. °F (°C) | Environmental Seal | Mounting Method |
|------------------------|-----------|------------------|---------|-----------------------------|----------------------|----------------|--------------------|-------------------|--------------------|-------------------|
| 3211A1 | 10 | 10 | 500 | 1 to 10,000 | yes | 5,000 | -60 (-51) | +250 (+121) | hermetic | Ø.171 thru hole |
| 3211A2 | 10 | 100 | 40 | 1 to 10,000 | yes | 5,000 | -60 (-51) | +250 (+121) | hermetic | Ø.171 thru hole |
| 3211M1 | 10 | 50 | 500 | 10 to 10,000 | yes | 5,000 | -60 (-51) | +250 (+121) | hermetic | thru hole |
| 3213M6 ³ | 58 | 100 | 50 | 1.5 to 5,000 | yes | 5,000 | -40 (-40) | +200 (+93) | hermetic | 1/4-28 thru hole |
| 3214A1 | 11 | 10 | 500 | 1 to 10,000 | no | 5,000 | -60 (-51) | +250 (+121) | hermetic | 10-32 tapped hole |
| 3214A2 | 11 | 100 | 50 | 1 to 10,000 | no | 5,000 | -60 (-51) | +225 (+107) | hermetic | 10-32 tapped hole |
| 3214A3 | 11 | 500 | 10 | 1 to 10,000 | no | 5,000 | -60 (-51) | +180 (+82) | hermetic | 10-32 tapped hole |
| 3215M1 | 10 | 10 | 500 | 1 to 20,000 | yes | 5,000 | -60 (-51) | +300 (+149) | hermetic | Ø.190 thru hole |
| 3217A | 5 | 100 | 50 | 1 to 10,000 (±10%) | yes | 5,000 | -60 (-51) | +250 (+121) | hermetic | adhesive |
| 3220E | 2.7 | 10 | 500 | 1 to 5,000 | yes | 2,000 | -60 (-51) | +250 (+121) | hermetic | Ø.093 thru hole |
| 3220M6 | 5.5 | 10 | 500 | 2 to 5,000 | yes | 2,000 | -65 (-54) | +250 (+121) | hermetic | adhesive |
| 3224A1 | 0.2 | 10 | 500 | 0.25 to 7,000 (±10%) | no | 3,000 | -60 (-51) | +300 (+149) | epoxy | adhesive |
| 3224A2 | 0.2 | 2 | 2,500 | 0.7 to 7,000 (±10%) | no | 5,000 | -60 (-51) | +300 (+149) | epoxy | adhesive |
| 3224A3 | 0.2 | 5 | 1,000 | 0.25 to 7,000 (±10%) | no | 2,000 | -60 (-51) | +300 (+149) | epoxy | adhesive |
| 3225F | 0.6 | 10 | 500 | 1.6 to 10,000 (±10%) | no | 5,000 | -60 (-51) | +250 (+121) | epoxy | adhesive |
| 3225F1 | 0.6 | 10 | 500 | 1.6 to 10,000 (±10%) | no | 5,000 | -60 (-51) | +250 (+121) | hermetic | adhesive |
| 3225F2 | 1 | 10 | 500 | 1.6 to 10,000 (±10%) | yes | 5,000 | -60 (-51) | +250 (+121) | hermetic | adhesive |
| 3225F3 | 0.6 | 10 | 500 | 1.6 to 10,000 (±10%) | yes | 5,000 | -60 (-51) | +250 (+121) | hermetic | adhesive |
| 3225M23 | 1 | 50 | 100 | 2 to 10,000 (±10%) | no | 5,000 | -60 (-51) | +220 (+104) | hermetic | adhesive |
| 3225M24 | 1 | 100 | 50 | 2 to 10,000 (±10%) | no | 5,000 | -60 (-51) | +220 (+104) | hermetic | adhesive |
| 3232A1 ² | 45 | 10 | 500 | 3.3 to 2,500 (±10%) | yes | 5,000 | -60 (-51) | +250 (+121) | hermetic | Ø.268 thru hole |
| 3232A2 ² | 45 | 100 | 50 | 3.3 to 2,500 (±10%) | yes | 5,000 | -60 (-51) | +250 (+121) | hermetic | Ø.268 thru hole |
| 3233A ³ | 28 | 1,000 | 5 | 0.4 to 6,000 (±10%) | yes | 5,000 | -60 (-51) | +200 (+93) | hermetic | thru hole |
| 3237A2 | 37 | 25 | 200 | 0.48 to 10,000 | yes | 3,000 | -60 (-51) | +305 (+152) | hermetic | 1/4-28 stud |
| 3243A ³ | 2.5 | 10 | 500 | 1.5 to 10,000 | yes | 5,000 | -60 (-51) | +250 (+121) | hermetic | adhesive |
| 3255A1 | 10 | 10 | 500 | 1 to 10,000 | no | 3,000 | -60 (-51) | +250 (+121) | hermetic | 10-32 tapped hole |
| 3255A2 | 10 | 100 | 50 | 1 to 10,000 | no | 2,000 | -60 (-51) | +250 (+121) | hermetic | 10-32 tapped hole |
| 3255A3 | 10 | 500 | 10 | 1 to 10,000 | no | 1,000 | -60 (-51) | +225 (+107) | hermetic | 10-32 tapped hole |
| 3255A4 | 10 | 50 | 100 | 1 to 10,000 | no | 2,000 | -60 (-51) | +250 (+121) | hermetic | 10-32 tapped hole |
| 3255A6 | 10 | 200 | 25 | 1 to 10,000 | no | 2,000 | -60 (-51) | +225 (+107) | hermetic | 10-32 tapped hole |
| 3256A1 | 10 | 10 | 500 | 1 to 10,000 | no | 3,000 | -60 (-51) | +250 (+121) | hermetic | 10-32 tapped hole |
| 3256A2 | 10 | 100 | 50 | 1 to 10,000 | no | 2,000 | -60 (-51) | +250 (+121) | hermetic | 10-32 tapped hole |
| 3256A3 | 10 | 500 | 10 | 1 to 10,000 | no | 1,000 | -60 (-51) | +225 (+107) | hermetic | 10-32 tapped hole |
| 3256A4 | 10 | 20 | 250 | 1 to 10,000 | no | 3,000 | -60 (-51) | +250 (+121) | hermetic | 10-32 tapped hole |
| 3256A5 | 10 | 50 | 100 | 1 to 10,000 | no | 3,000 | -60 (-51) | +250 (+121) | hermetic | 10-32 tapped hole |
| 3256A6 | 10 | 200 | 25 | 1 to 10,000 | no | 2,000 | -60 (-51) | +225 (+107) | hermetic | 10-32 tapped hole |
| 3263A1T ^{1,3} | 5.6 | 10 | 500 | 1.5 to 10,000 (±10%) | no | 5,000 | -60 (-51) | +180 (+82) | hermetic | 4-40 tapped hole |
| 3263A2T ^{1,3} | 5.6 | 100 | 50 | 1.5 to 10,000 (±10%) | no | 5,000 | -60 (-51) | +180 (+82) | hermetic | 4-40 tapped hole |
| 3263A3T ^{1,3} | 5.6 | 50 | 100 | 1.5 to 10,000 (±10%) | no | 5,000 | -60 (-51) | +180 (+82) | hermetic | 4-40 tapped hole |
| 3273A1 ³ | 2.7 | 10 | 500 | 0.5 to 3,000 | no | 5,000 | -60 (-51) | +250 (+121) | hermetic | adhesive |
| 3273A2 ³ | 2.7 | 100 | 50 | 0.7 to 3,000 | no | 5,000 | -60 (-51) | +165 (+74) | hermetic | adhesive |
| 3273A4 ³ | 2.7 | 50 | 100 | 0.5 to 3,000 | no | 5,000 | -60 (-51) | +200 (+93) | hermetic | adhesive |
| 3293A ³ | 8.8 | 500 | 7 | 0.25 to 4,000 (±10%) | no | 1,000 | -60 (-51) | +185 (+85) | hermetic | 5-40 tapped hole |
| 3302A2 ² | 30 | 10 | 500 | 10 to 1,000 | yes | 3,000 | -60 (-51) | +250 (+121) | hermetic | Ø.312 thru hole |
| 3305A1 | 3.7 | 10 | 500 | 0.3 to 5,000 | no | 5,000 | -60 (-51) | +220 (+104) | hermetic | adhesive |
| 3305A2 | 3.7 | 100 | 50 | 0.3 to 5,000 | yes | 5,000 | -60 (-51) | +180 (+82) | hermetic | adhesive |
| 3305A3 | 3.7 | 500 | 10 | 0.3 to 5,000 | yes | 5,000 | -60 (-51) | +150 (+66) | hermetic | adhesive |
| 3311A | 3.3 | 50 | 100 | 2 to 10,000 (±10%) | yes | 3,000 | -60 (-51) | +320 (+160) | hermetic | Ø.093 thru hole |

¹ = IEEE 1451.4 TEDS, ² = Biaxial, ³ = Triaxial

PRODUCT SELECTION GUIDE

IEPE ACCELEROMETERS

| Model | Weight gm | Sensitivity mV/g | Range g | Frequency Response Hz (±5%) | Electrical Isolation | Max. Shock gpk | Min. Temp. °F (°C) | Max Temp. °F (°C) | Environmental Seal | Mounting Method |
|---------------------|--------------|---------------------|------------|--------------------------------|-------------------------|-------------------|-----------------------|----------------------|-----------------------|---------------------|
| 3333A1 ³ | 2.3 | 10 | 500 | 0.31 to 10,000 (±10%) | no | 5,000 | -60 (-51) | +200 (+93) | hermetic | adhesive |
| 3333A2 ³ | 2.3 | 100 | 50 | 0.31 to 10,000 (±10%) | no | 5,000 | -60 (-51) | +165 (+74) | hermetic | adhesive |
| 3333A3 ³ | 2.3 | 50 | 100 | 0.31 to 10,000 (±10%) | no | 5,000 | -60 (-51) | +250 (+121) | hermetic | adhesive |
| 3343A2 ³ | 2.4 | 2 | 2,500 | 1.2 to 5,000 (-5/15%) | no | 5,000 | -60 (-51) | +250 (+121) | hermetic | adhesive |
| 3343A ³ | 2.4 | 10 | 500 | 1.2 to 5,000 (-5/15%) | no | 5,000 | -60 (-51) | +250 (+121) | hermetic | adhesive |
| 3343A3 ³ | 2.4 | 5 | 1,000 | 1.2 to 5,000 (-5/15%) | no | 5,000 | -60 (-51) | +250 (+121) | hermetic | adhesive |
| 5313A ³ | 227 | 100 | 50 | 0.5 to 3,000 | no | 1,500 | -60 (-51) | +160 (+71) | hermetic | N/A |
| 5334 | 150 | 10 | 500 | 4.8 to 600 | yes | 2,000 | -65 (-54) | +900 (+482) | hermetic | Ø.171 thru hole, X3 |
| 5335 | 400 | 10 | 500 | 4.8 to 1,400 | yes | 2,000 | -65 (-54) | +900 (+482) | hermetic | Ø.171 thru hole, X3 |

PRODUCT SELECTION GUIDE

CHARGE MODE ACCELEROMETERS

| Model | Weight gm | Sensitivity pC/g | Upper Frequency Response Hz (+5%) | Electrical Isolation | Max. Shock gpk | Min. Temp. °F (°C) | Max Temp. °F (°C) | Environmental Seal | Mounting Method |
|--------------------|--------------|---------------------|---|-------------------------|-------------------|-----------------------|----------------------|-----------------------|----------------------|
| 3030C1 | 6.8 | 0.40 | 5,000 | no | 3,000 | -100 | +500 (+260) | hermetic | 10-32 stud |
| 3035C | 2.5 | 2.5 | 10,000 | no | 3,000 | -100 | +400 (+204) | hermetic | 5-40 stud |
| 3035CG | 2.3 | 2.5 | 10,000 | no | 3,000 | -100 | +400 (+204) | hermetic | adhesive |
| 3049D | 3.2 | 5.8 | 8,000 | yes | 2,000 | -100 | +350 (+177) | hermetic | 10-32 stud |
| 3049D1 | 3.0 | 5.8 | 8,000 | yes | 2,000 | -100 | +350 (+177) | hermetic | adhesive |
| 3085C | 75 | 1 | 2,500 | yes | 2,000 | -65 | +600 (+316) | hermetic | Ø.171 thru hole, X3 |
| 3088C | 42 | 10 | 5,000 | no | 3,000 | -65 | +600 (+316) | hermetic | 10-32 tapped hole |
| 3092C | 42 | 3.5 | 5,000 (+10%) | no | 5,000 | -60 | +900 (+482) | hermetic | 10-32 tapped hole |
| 3122C2 | 25 | 15 | 5,000 | no | 2,000 | -60 | +500 (+260) | hermetic | 10-32 tapped hole |
| 3152C2 | 14 | -4 | 5,000 | no | 3,000 | -65 | +500 (+260) | hermetic | 10-32 tapped hole |
| 3196C | 85 | 8 | 2,500 | no | 2,000 | -65 | +500 (+260) | hermetic | Ø.171 thru hole, X3 |
| 3218C | 157 | 1.6 | 10,000 (+10%) | yes | 2,000 | -60 | +900 (+482) | hermetic | Ø.171 thru hole, X3 |
| 3220C | 4 | 1 | 5,000 | yes | 2,000 | -60 | +500 (+260) | hermetic | Ø.093 thru hole |
| 3221C | 12.5 | 10 | 10,000 (+10%) | yes | 5,000 | -60 | +500 (+260) | hermetic | Ø.140 thru hole |
| 3221C2 | 12.5 | 5 | 10,000 (+10%) | yes | 5,000 | -60 | +500 (+260) | hermetic | Ø.140 thru hole |
| 3225E | 0.5 | 1.8 | 10,000 (+10%) | no | 5,000 | -60 | +350 (+177) | epoxy | adhesive |
| 3225E1 | 0.6 | 1.8 | 10,000 (+10%) | no | 5,000 | -60 | +350 (+177) | epoxy | adhesive |
| 3225E2 | 0.7 | 1.8 | 10,000 (+10%) | no | 5,000 | -60 | +350 (+177) | epoxy | adhesive |
| 3225E3 | 0.6 | 1.8 | 10,000 (+10%) | no | 5,000 | -60 | +350 (+177) | epoxy | adhesive |
| 3235C1 | 55 | 50 | 10,000 (+15%) | yes | 2,000 | -60 | +550 (+287) | hermetic | Ø.171 thru hole, X3 |
| 3235C2 | 55 | 100 | 10,000 (+15%) | yes | 2,000 | -60 | +550 (+287) | hermetic | Ø.171 thru hole, X3 |
| 3235C3 | 55 | 200 | 10,000 (+15%) | yes | 2,000 | -60 | +550 (+287) | hermetic | Ø.171 thru hole, X3 |
| 3255C | 10 | 15 | 5,000 (+10%) | no | 3,000 | -60 | +375 (+190) | hermetic | 10-32 tapped hole |
| 3256C | 10 | 15 | 5,000 (+10%) | no | 3,000 | -60 | +375 (+190) | hermetic | 10-32 tapped hole |
| 3309A | 25.5 | 5 | 5,000 | yes | 10,000 | -60 | +500 (+260) | hermetic | Ø.171 thru hole |
| 3310A | 1.8 | 1.2 | 7,000 | yes | 5,000 | -60 | +500 (+260) | hermetic | adhesive |
| 3316C | 5 | 1 | 10,000 | no | 10,000 | -60 | +900 (+482) | hermetic | 5-40 tapped hole |
| 3323C ³ | 50 | 10 | 5,000 | no | 3,000 | -60 | +500 (+260) | hermetic | Ø.19 tapped hole, X3 |

¹ = IEEE 1451.4 TEDS, ² = Biaxial, ³ = Triaxial

| Model | Weight gm | Sensitivity mV/g | Range g | Frequency Response Hz (3dB) | Max. Shock gpk | Min. Temp. °F (°C) | Max Temp. °F (°C) | Environmental Seal | Mounting Method |
|---------------------|-----------|------------------|---------|------------------------------|----------------|--------------------|-------------------|--------------------|--------------------|
| 7500A1 | 13 | 1,000 | 2 | 0 to 400 | 5,000 | -67 (-55) | +257 (+125) | hermetic | Ø.13 thru hole, X2 |
| 7500A2 | 13 | 400 | 5 | 0 to 600 | 5,000 | -67 (-55) | +257 (+125) | hermetic | Ø.13 thru hole, X2 |
| 7500A3 | 13 | 200 | 10 | 0 to 1,000 | 5,000 | -67 (-55) | +257 (+125) | hermetic | Ø.13 thru hole, X2 |
| 7500A4 | 13 | 80 | 25 | 0 to 1,500 | 5,000 | -67 (-55) | +257 (+125) | hermetic | Ø.13 thru hole, X2 |
| 7500A5 | 13 | 40 | 50 | 0 to 2,000 | 5,000 | -67 (-55) | +257 (+125) | hermetic | Ø.13 thru hole, X2 |
| 7500A6 | 13 | 20 | 100 | 0 to 2,500 | 5,000 | -67 (-55) | +257 (+125) | hermetic | Ø.13 thru hole, X2 |
| 7500A7 | 13 | 10 | 200 | 0 to 2,500 | 5,000 | -67 (-55) | +257 (+125) | hermetic | Ø.13 thru hole, X2 |
| 7500A8 | 13 | 5 | 400 | 0 to 2,500 | 5,000 | -67 (-55) | +257 (+125) | hermetic | Ø.13 thru hole, X2 |
| 7500M10 | 45 | 40 | 50 | 0 to 300 | 5,000 | -67 (-55) | +257 (+125) | hermetic | Ø.13 thru hole, X2 |
| 7500M11 | 45 | 5 | 400 | 0 to 300 | 5,000 | -67 (-55) | +257 (+125) | hermetic | Ø.13 thru hole, X2 |
| 7503A1 ³ | 30 | 1,000 | 2 | 0 to 400 | 5,000 | -67 (-55) | +257 (+125) | hermetic | Ø.17 thru hole, X2 |
| 7503A2 ³ | 30 | 400 | 5 | 0 to 600 | 5,000 | -67 (-55) | +257 (+125) | hermetic | Ø.17 thru hole, X2 |
| 7503A3 ³ | 30 | 200 | 10 | 0 to 1,000 | 5,000 | -67 (-55) | +257 (+125) | hermetic | Ø.17 thru hole, X2 |
| 7503A4 ³ | 30 | 80 | 25 | 0 to 1,500 | 5,000 | -67 (-55) | +257 (+125) | hermetic | Ø.17 thru hole, X2 |
| 7503A5 ³ | 30 | 40 | 50 | 0 to 2,000 | 5,000 | -67 (-55) | +257 (+125) | hermetic | Ø.17 thru hole, X2 |
| 7503A6 ³ | 30 | 20 | 100 | 0 to 2,500 | 5,000 | -67 (-55) | +257 (+125) | hermetic | Ø.17 thru hole, X2 |
| 7503A7 ³ | 30 | 10 | 200 | 0 to 2,500 | 5,000 | -67 (-55) | +257 (+125) | hermetic | Ø.17 thru hole, X2 |
| 7503A8 ³ | 30 | 5 | 400 | 0 to 2,500 | 5,000 | -67 (-55) | +257 (+125) | hermetic | Ø.17 thru hole, X2 |
| 7521A1 | 3.7 | 550 | 2 | 0 to 1,500 | 4,000 | -55 (-48) | +302 (+150) | epoxy | Ø.08 thru hole, X2 |
| 7521A2 | 3.7 | 280 | 5 | 0 to 1,500 | 4,000 | -55 (-48) | +302 (+150) | epoxy | Ø.08 thru hole, X2 |
| 7521A3 | 3.7 | 93 | 15 | 0 to 1,500 | 4,000 | -55 (-48) | +302 (+150) | epoxy | Ø.08 thru hole, X2 |
| 7521A4 | 3.7 | 55 | 33 | 0 to 400 | 4,000 | -55 (-48) | +302 (+150) | epoxy | Ø.08 thru hole, X2 |
| 7521A5 | 3.7 | 36 | 50 | 0 to 400 | 4,000 | -55 (-48) | +302 (+150) | epoxy | Ø.08 thru hole, X2 |
| 7521A6 | 3.7 | 18 | 100 | 0 to 400 | 4,000 | -55 (-48) | +302 (+150) | epoxy | Ø.08 thru hole, X2 |
| 7521A7 | 3.7 | 8 | 225 | 0 to 400 | 4,000 | -55 (-48) | +302 (+150) | epoxy | Ø.08 thru hole, X2 |
| 7523A1 ³ | 10 | 550 | 2 | X&Y: 0 to 1,500; Z: 0 to 500 | 4,000 | -67 (-55) | +257 (+125) | epoxy | Ø.08 thru hole, X2 |
| 7523A3 ³ | 10 | 93 | 15 | 0 to 1,500 | 4,000 | -67 (-55) | +257 (+125) | epoxy | Ø.08 thru hole, X2 |
| 7523A5 ³ | 10 | 36 | 50 | 0 to 400 | 4,000 | -67 (-55) | +257 (+125) | epoxy | Ø.08 thru hole, X2 |
| 7600B1 | 3.6 | 100 | 5 | 0 to 600 | 2,000 | -40 (-40) | +176 (+80) | hermetic | R.08 thru hole, X2 |
| 7600B2 | 3.6 | 50 | 10 | 0 to 1,000 | 2,000 | -40 (-40) | +176 (+80) | hermetic | R.08 thru hole, X2 |
| 7600B3 | 3.6 | 20 | 25 | 0 to 1,500 | 2,000 | -40 (-40) | +176 (+80) | hermetic | R.08 thru hole, X2 |
| 7600B4 | 3.6 | 10 | 50 | 0 to 2,000 | 2,000 | -40 (-40) | +176 (+80) | hermetic | R.08 thru hole, X2 |
| 7600B5 | 3.6 | 5 | 100 | 0 to 2,500 | 2,000 | -40 (-40) | +176 (+80) | hermetic | R.08 thru hole, X2 |
| 7600B6 | 3.6 | 2.5 | 200 | 0 to 3,000 | 2,000 | -40 (-40) | +176 (+80) | hermetic | R.08 thru hole, X2 |

¹ = IEEE 1451.4 TEDS, ² = Biaxial, ³ = Triaxial

| Model | Weight gm | Sensitivity mV/psi | Range psi | Max. Pressure psi | Min. Temp. °F (°C) | Max Temp. °F (°C) | Environmental Seal | Mounting Method |
|--------|-----------|--------------------|-----------|-------------------|--------------------|-------------------|--------------------|-----------------|
| 2005V | 43 | 100 | 50 | 1,000 | -100 (-73) | +275 (+135) | hermetic | 1/8-27 thread |
| 2006V2 | 40 | 50 | 100 | 8,000 | -40 (-40) | +250 (+121) | hermetic | 1/4-18 thread |
| 2013D | 35 | 2,000 | 2.5 | 20 | -60 (-51) | +225 (+207) | hermetic | 3/4-16 thread |
| 2200V1 | 6 | 50 | 100 | 1,000 | -100 (-73) | +250 (+121) | hermetic | 5/6-24 thread |
| 2300V1 | 6 | 20 | 250 | 5,000 | -100 (-73) | +250 (+121) | hermetic | 5/6-24 thread |
| 2300V3 | 6 | 10 | 500 | 10,000 | -100 (-73) | +250 (+121) | hermetic | 5/6-24 thread |
| 2300V4 | 6 | 5 | 1,000 | 10,000 | -100 (-73) | +250 (+121) | hermetic | 5/6-24 thread |
| 2300V5 | 6 | 1 | 5,000 | 15,000 | -100 (-73) | +250 (+121) | hermetic | 5/6-24 thread |
| 2300V6 | 6 | 0.5 | 10,000 | 15,000 | -100 (-73) | +250 (+121) | hermetic | 5/6-24 thread |
| 2300V7 | 6 | 0.33 | 15,000 | 18,000 | -100 (-73) | +250 (+121) | hermetic | 5/6-24 thread |
| 2301B1 | 5 | 20 | 250 | 5,000 | -100 (-73) | +250 (+121) | hermetic | 5/6-24 thread |
| 2301B3 | 5 | 10 | 500 | 10,000 | -100 (-73) | +250 (+121) | hermetic | 5/6-24 thread |
| 2301B4 | 5 | 5 | 1,000 | 10,000 | -100 (-73) | +250 (+121) | hermetic | 5/6-24 thread |
| 2301B5 | 5 | 1 | 5,000 | 15,000 | -100 (-73) | +250 (+121) | hermetic | 5/6-24 thread |
| 2301B6 | 5 | 0.5 | 10,000 | 15,000 | -100 (-73) | +250 (+121) | hermetic | 5/6-24 thread |
| 2301B7 | 5 | 0.33 | 15,000 | 18,000 | -100 (-73) | +250 (+121) | hermetic | 5/6-24 thread |

PRODUCT SELECTION GUIDE

CHARGE MODE PRESSURE SENSORS

| Model | Weight gm | Sensitivity pC/psi | Range psi | Max. Pressure psi | Min. Temp. °F (°C) | Max Temp. °F (°C) | Environmental Seal | Mounting Method |
|--------|-----------|--------------------|-----------|-------------------|--------------------|-------------------|--------------------|-----------------|
| 2180C | 155 | 600 | 10 | 600 | -60 (-51) | +500 (+260) | hermetic | 1 1/8-12 thread |
| 2200C1 | 7 | 1 | 100 | 10,000 | -100 (-73) | +500 (+260) | epoxy | 5/16-24 thread |
| 2200C2 | 7 | 1 | 500 | 10,000 | -100 (-73) | +500 (+260) | epoxy | 5/16-24 thread |
| 2200C4 | 7 | 1 | 1,000 | 10,000 | -100 (-73) | +500 (+260) | epoxy | 5/16-24 thread |
| 2200C5 | 7 | 1 | 5,000 | 10,000 | -100 (-73) | +500 (+260) | epoxy | 5/16-24 thread |
| 2200C6 | 7 | 1 | 10,000 | 15,000 | -100 (-73) | +500 (+260) | epoxy | 5/16-24 thread |
| 2200C7 | 7 | 1 | 15,000 | 15,000 | -100 (-73) | +500 (+260) | epoxy | 5/16-24 thread |
| 2300C1 | 6.5 | 0.35 | 100 | 15,000 | -100 (-73) | +500 (+260) | hermetic | 5/16-24 thread |
| 2300C2 | 6.5 | 0.35 | 500 | 15,000 | -100 (-73) | +500 (+260) | hermetic | 5/16-24 thread |
| 2300C3 | 6.5 | 0.35 | 1,000 | 15,000 | -100 (-73) | +500 (+260) | hermetic | 5/16-24 thread |
| 2300C4 | 6.5 | 0.35 | 3,000 | 15,000 | -100 (-73) | +500 (+260) | hermetic | 5/16-24 thread |
| 2300C5 | 6.5 | 0.35 | 5,000 | 15,000 | -100 (-73) | +500 (+260) | hermetic | 5/16-24 thread |
| 2300C6 | 6.5 | 0.35 | 10,000 | 15,000 | -100 (-73) | +500 (+260) | hermetic | 5/16-24 thread |
| 2300C7 | 6.5 | 0.35 | 15,000 | 18,000 | -100 (-73) | +500 (+260) | hermetic | 5/16-24 thread |
| 2301C1 | 6.5 | 0.35 | 100 | 15,000 | -100 (-73) | +500 (+260) | hermetic | 5/16-24 thread |
| 2301C2 | 6.5 | 0.35 | 500 | 15,000 | -100 (-73) | +500 (+260) | hermetic | 5/16-24 thread |
| 2301C3 | 6.5 | 0.35 | 1,000 | 15,000 | -100 (-73) | +500 (+260) | hermetic | 5/16-24 thread |
| 2301C4 | 6.5 | 0.35 | 3,000 | 15,000 | -100 (-73) | +500 (+260) | hermetic | 5/16-24 thread |
| 2301C5 | 6.5 | 0.35 | 5,000 | 15,000 | -100 (-73) | +500 (+260) | hermetic | 5/16-24 thread |
| 2301C6 | 6.5 | 0.35 | 10,000 | 15,000 | -100 (-73) | +500 (+260) | hermetic | 5/16-24 thread |
| 2301C7 | 6.5 | 0.35 | 15,000 | 18,000 | -100 (-73) | +500 (+260) | hermetic | 5/16-24 thread |

| Model | Weight gm | Sensitivity mV/lbf | Compression Range lbf | Max. Compression lbf | Tension Range lbf | Max. Tension lbf | Min. Temp. °F (°C) | Max Temp. °F (°C) | Environmental Seal | Connector |
|--------|-----------|--------------------|-----------------------|----------------------|-------------------|------------------|--------------------|-------------------|--------------------|----------------|
| 1022V | 4.5 | 100 | 50 | 100 | 50 | 75 | -100 (-73) | +250 (+121) | epoxy | integral cable |
| 1050V1 | 32 | 500 | 10 | 200 | 10 | 200 | -100 (-73) | +250 (+121) | epoxy | axial 10-32 |
| 1050V2 | 32 | 100 | 50 | 1,000 | 50 | 1,000 | -100 (-73) | +250 (+121) | epoxy | axial 10-32 |
| 1050V3 | 32 | 50 | 10 | 2,000 | 100 | 1,000 | -100 (-73) | +250 (+121) | epoxy | axial 10-32 |
| 1050V4 | 32 | 10 | 500 | 10,000 | 50 | 1,000 | -100 (-73) | +250 (+121) | epoxy | axial 10-32 |
| 1050V5 | 32 | 5 | 1,000 | 15,000 | 500 | 1,000 | -100 (-73) | +250 (+121) | epoxy | axial 10-32 |
| 1050V6 | 32 | 1 | 5,000 | 15,000 | 500 | 1,000 | -100 (-73) | +250 (+121) | epoxy | axial 10-32 |
| 1051V1 | 28 | 500 | 10 | 200 | 10 | 200 | -100 (-73) | +250 (+121) | epoxy | radial 10-32 |
| 1051V2 | 28 | 100 | 50 | 1,000 | 50 | 500 | -100 (-73) | +250 (+121) | epoxy | radial 10-32 |
| 1051V3 | 28 | 50 | 100 | 2,000 | 100 | 500 | -100 (-73) | +250 (+121) | epoxy | radial 10-32 |
| 1051V4 | 28 | 10 | 500 | 10,000 | 500 | 500 | -100 (-73) | +250 (+121) | epoxy | radial 10-32 |
| 1051V5 | 28 | 5 | 1,000 | 15,000 | 500 | 500 | -100 (-73) | +250 (+121) | epoxy | radial 10-32 |
| 1051V6 | 28 | 1 | 5,000 | 15,000 | 500 | 500 | -100 (-73) | +250 (+121) | epoxy | radial 10-32 |
| 1053V1 | 28 | 500 | 10 | 200 | 10 | 200 | -100 (-73) | +250 (+121) | epoxy | radial 10-32 |
| 1053V2 | 28 | 100 | 50 | 1,000 | 50 | 200 | -100 (-73) | +250 (+121) | epoxy | radial 10-32 |
| 1053V3 | 28 | 50 | 100 | 2,000 | 100 | 200 | -100 (-73) | +250 (+121) | epoxy | radial 10-32 |
| 1053V4 | 28 | 10 | 500 | 10,000 | 200 | 200 | -100 (-73) | +250 (+121) | epoxy | radial 10-32 |
| 1053V5 | 28 | 5 | 1,000 | 15,000 | 200 | 200 | -100 (-73) | +250 (+121) | epoxy | radial 10-32 |
| 1053V6 | 28 | 1 | 5,000 | 15,000 | 200 | 200 | -100 (-73) | +250 (+121) | epoxy | radial 10-32 |
| 1060V1 | 460 | 10 | 500 | 10,000 | 500 | 1,000 | -100 (-73) | +250 (+121) | epoxy | axial 10-32 |
| 1060V2 | 460 | 5 | 1,000 | 20,000 | 1,000 | 1,000 | -100 (-73) | +250 (+121) | epoxy | axial 10-32 |
| 1060V3 | 460 | 1 | 5,000 | 30,000 | 1,000 | 1,000 | -100 (-73) | +250 (+121) | epoxy | axial 10-32 |
| 1060V4 | 460 | 0.5 | 10,000 | 40,000 | 1,000 | 1,000 | -100 (-73) | +250 (+121) | epoxy | axial 10-32 |
| 1060V5 | 460 | 0.2 | 25,000 | 50,000 | 1,000 | 1,000 | -100 (-73) | +250 (+121) | epoxy | axial 10-32 |
| 1060V6 | 460 | 0.1 | 50,000 | 60,000 | 1,000 | 1,000 | -100 (-73) | +250 (+121) | epoxy | axial 10-32 |
| 1061V1 | 452 | 10 | 500 | 10,000 | 500 | 1,000 | -100 (-73) | +250 (+121) | epoxy | radial 10-32 |
| 1061V2 | 452 | 5 | 1,000 | 20,000 | 1,000 | 1,000 | -100 (-73) | +250 (+121) | epoxy | radial 10-32 |
| 1061V3 | 452 | 1 | 5,000 | 30,000 | 1,000 | 1,000 | -100 (-73) | +250 (+121) | epoxy | radial 10-32 |
| 1061V4 | 452 | 0.5 | 10,000 | 40,000 | 1,000 | 1,000 | -100 (-73) | +250 (+121) | epoxy | radial 10-32 |
| 1061V5 | 452 | 0.2 | 25,000 | 50,000 | 1,000 | 1,000 | -100 (-73) | +250 (+121) | epoxy | radial 10-32 |
| 1061V6 | 452 | 0.1 | 50,000 | 60,000 | 1,000 | 1,000 | -100 (-73) | +250 (+121) | epoxy | radial 10-32 |
| 1203V1 | 50 | 50 | 100 | 200 | N/A | N/A | -100 (-73) | +250 (+121) | hermetic | radial 10-32 |
| 1203V2 | 50 | 10 | 500 | 1,000 | N/A | N/A | -100 (-73) | +250 (+121) | hermetic | radial 10-32 |
| 1203V3 | 50 | 5 | 1,000 | 5,000 | N/A | N/A | -100 (-73) | +250 (+121) | hermetic | radial 10-32 |
| 1203V4 | 50 | 1 | 5,000 | 10,000 | N/A | N/A | -100 (-73) | +250 (+121) | hermetic | radial 10-32 |
| 1203V5 | 50 | 0.5 | 10,000 | 15,000 | N/A | N/A | -100 (-73) | +250 (+121) | hermetic | radial 10-32 |

| Model | Weight gm | Sensitivity PC/lbf | Compression Range lbf | Max. Compression lbf | Tension Range lbf | Max. Tension lbf | Min. Temp. °F (°C) | Max. Temp. °F (°C) | Environmental Seal | Connector |
|--------|--------------|-----------------------|-----------------------------|----------------------------|-------------------------|---------------------|-----------------------|-----------------------|-----------------------|--------------|
| 1050C | 32 | -18 | 5,000 | 15,000 | 500 | 1,000 | -100 (-73) | +500 (+260) | epoxy | axial 10-32 |
| 1051C | 32 | -18 | 5,000 | 15,000 | 500 | 1,000 | -100 (-73) | +500 (+260) | epoxy | radial 10-32 |
| 1060C | 460 | -9 | 25,000 | 60,000 | 500 | 1,000 | -100 (-73) | +500 (+260) | epoxy | axial 10-32 |
| 1061C | 420 | -9 | 25,000 | 60,000 | 500 | 1,000 | -100 (-73) | +500 (+260) | epoxy | radial 10-32 |
| 1210C1 | 12 | -18 | 5,000 | 10,000 | N/A | N/A | -60 (-51) | +400 (+204) | hermetic | radial 10-32 |
| 1210C2 | 24 | -18 | 10,000 | 15,000 | N/A | N/A | -60 (-51) | +400 (+204) | hermetic | radial 10-32 |
| 1210C3 | 39 | -18 | 20,000 | 25,000 | N/A | N/A | -60 (-51) | +400 (+204) | hermetic | radial 10-32 |
| 1210C4 | 60 | -18 | 40,000 | 50,000 | N/A | N/A | -60 (-51) | +400 (+204) | hermetic | radial 10-32 |
| 1210C5 | 85 | -18 | 60,000 | 70,000 | N/A | N/A | -60 (-51) | +400 (+204) | hermetic | radial 10-32 |
| 1210C6 | 168 | -18 | 80,000 | 90,000 | N/A | N/A | -60 (-51) | +400 (+204) | hermetic | radial 10-32 |
| 1210C7 | 372 | -18 | 100,000 | 110,000 | N/A | N/A | -60 (-51) | +400 (+204) | hermetic | radial 10-32 |

PRODUCT SELECTION GUIDE

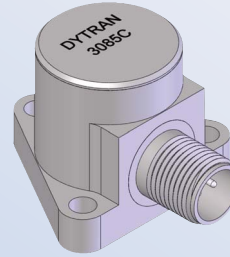
IMPULSE HAMMERS

| Model | Head Weight gm | Sensitivity mV/lb | Range lbf | Max. Force lbf | Connector | Overall Length in |
|--------|-------------------|----------------------|--------------|-------------------|------------|----------------------|
| 58002 | 100 | 100 | 50 | 1,000 | BNC jack | 8.7 |
| 58003 | 100 | 50 | 100 | 1,000 | BNC jack | 8.7 |
| 58004 | 100 | 10 | 500 | 1,000 | BNC jack | 8.7 |
| 58005 | 100 | 5 | 1,000 | 2,000 | BNC jack | 8.7 |
| 5800SL | 2 | 100 | 50 | 75 | 10-32 jack | 4.3 |
| 5802A | 3 lbs | 1 | 5,000 | 10,000 | BNC jack | 15.8 |
| 5803A | 12 lbs | 1 | 5,000 | 10,000 | BNC jack | 35.3 |
| 5805A | 1 lb | 1 | 5,000 | 10,000 | BNC jack | 11.8 |

Dytran Model 3085C

The Dytran model 3085C is a single axis high-temperature differential output accelerometer with 10 pC/g sensitivity, designed to measure surface vibration at temperatures up to +600°F (+316°C). This piezoelectric charge mode accelerometer features a case isolated design with a hermetically sealed Inconel housing and incorporates ceramic crystals operating in compression mode.

Model 3085C also offers an industry standard tri-bolt mounting flange and a transverse mounted glass-to-metal sealed 2-pin electrical connector.

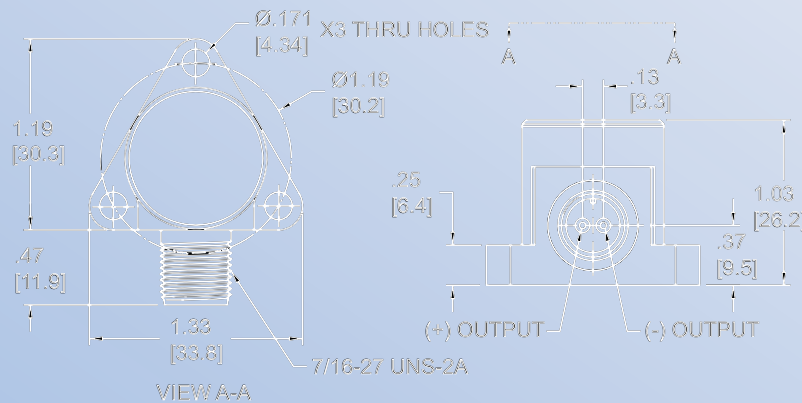


Features

- Single axis
- Tri-bolt mount
- Differential output
- Case isolated
- +600°F (+316°C) operation
- Charge mode

Applications

- Turbine vibration measurements
- General purpose vibration monitoring in high temperature and harsh environments



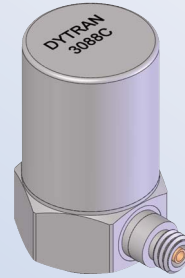
Note: All dimensions are in inches (millimeters).

| Specifications | Units | 3085C |
|------------------------------------|---|---------------------------|
| Weight | oz (gm) | 2.6 (75) |
| Housing | | Inconel |
| Sensing Element | | ceramic, compression |
| Sensitivity | pC/g (pC/m/s ²) | 10 (1) |
| Upper Frequency Response, ±5% | Hz | 2,500 |
| Electrical Isolation | | yes |
| Maximum Shock | g (m/s ²) | 2,000 (19,613) |
| Temperature Range | °F (°C) | -65 to +600 (-54 to +316) |
| Thermal Coefficient of Sensitivity | %/°F (%/°C) | 0.01 (0.02) |
| Environmental Seal | | hermetic |
| Recommended Accessories | | |
| Mounting | Three (3) model 6535 (8-32) mounting screws (supplied) | |
| Cabling | Model 6838 low-noise coaxial cable assembly (sold separately) | |

Dytran Model 3088C

Intended for use in vibration studies in high-temperature environments, the Dytran model 3088C is a high-performance piezoelectric charge mode accelerometer designed to reliably operate in temperatures up to +600°F (+316°C).

The model 3088C has a nominal sensitivity of 10 pC/g and an upper frequency range of 5,000 Hz. It features a 10-32 radial connector, 10-32 mounting hole, stainless steel construction and is hermetically sealed for use in demanding environments.

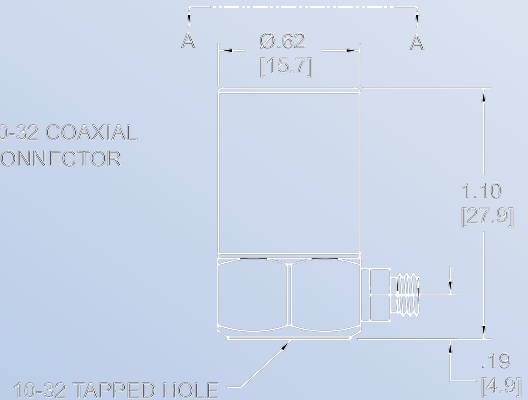
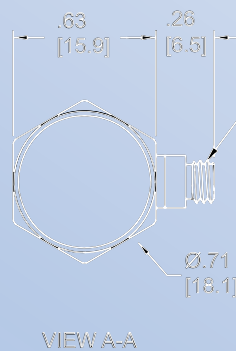


Features

- Single axis
- Small size
- 10-32 mounting thread
- +600°F (+316°C) operation
- Charge mode

Applications

- Automotive engine / exhaust analysis
- Turbine vibration monitoring
- General purpose high-temperature vibration monitoring



Note: All dimensions are in inches (millimeters).

| Specifications | Units | 3088C |
|------------------------------------|--|---------------------------|
| Weight | oz (gm) | 1.5 (42) |
| Housing | | stainless steel |
| Sensing Element | | ceramic, compression |
| Sensitivity | pC/g (pC/m/s ²) | 10 (1) |
| Upper Frequency Response, ±5% | Hz | 5,000 |
| Electrical Isolation | | no |
| Maximum Shock | g (m/s ²) | 3,000 (29,420) |
| Temperature Range | °F (°C) | -65 to +600 (-54 to +316) |
| Thermal Coefficient of Sensitivity | %/°F (%/°C) | 0.018 (0.036) |
| Environmental Seal | | hermetic |
| Recommended Accessories | | |
| Mounting | One (1) model 6200 (10-32 to 10-32) mounting stud (supplied) | |
| Cabling | Model 6019A low-noise coaxial cable assembly (sold separately) | |